

**INDEX**

**DOORS**

- Description ..... 1
- Complete door ..... 2
- Door striker (Spider only) ..... 2
- Lock striker ..... 3
- Door check rod ..... 4
- Door mirror ..... 4
- Door panel ..... 5
- Lock unit ..... 8
- Lock device ..... 8
- Window guides ..... 9
- Window ..... 10
- Window adjustment ..... 10/2
- Window winding device ..... 11
- Window wiper seal ..... 11
- Up-down device ..... 12
- Up-down device cam ..... 12/1
- Up-down device microswitch ..... 12/2
- Front wind seal ..... 13
- Mirror triangle seal ..... 13
- Door lower moulding ..... 13

**BONNET**

- Complete bonnet ..... 14
- Telescopic props ..... 15
- Bonnet closing device ..... 16
- Bonnet inner cover ..... 16
- Shield ..... 17
- Front trademark ..... 17
- Bonnet opening control cable ..... 17
- Wheel arch liner ..... 19

**BOOT**

- Complete SPIDER boot lid ..... 20
- GTV complete boot lid ..... 21
- Telescopic props ..... 23
- Boot lid closing device ..... 23
- Boot moulding ..... 25

**FRONT SEATS**

- Description ..... 26
- Complete seat ..... 26
- Seat belt attachment with pre-tensioner ..... 27
- Seat dis-assembly ..... 28

**ELECTRIC FRONT SEATS**

- description ..... 32/1
- complete seat ..... 32/1
- seat belt with pretensioner ..... 32/2
- backrest centre cushion ..... 32/3
- head restraint ..... 32/4
- cover and heater pad for backrest centre upholstery ..... 32/5
- backrest cover ..... 32/6
- backrest angle motor ..... 32/6
- backrest lumbar adjustment device ..... 32/7
- backrest folding control cable (left or right) ..... 32/8
- backrest ..... 32/9
- lifting device (gas spring) ..... 32/10

- seat guide (left or right) ..... 32/10
- seat sliding reduction unit (left or right) ... 32/11
- seat sliding or lifting motor (one) ..... 32/12
- bracket assembly with three seat sliding or lifting motors ..... 32/13
- seat movement switch unit ..... 32/13
- seat outer shield ..... 32/14
- seat lifting reduction unit (front or rear) ... 32/15
- seat centre cushion ..... 32/15
- seat centre upholstery cover and heater pad ..... 32/16
- seat lifting unit ..... 32/17
- side (right or left) seat cover ..... 32/18

**INTERIOR TRIM**

- Dashboard ..... 33
- Instrument cluster hood ..... 38/3
- Central unit frame ('98 versions) ..... 38/4
- Glovebox ..... 38/4
- Glovebox lid lock ..... 39
- Dashboard trim panel (only cars without passenger's Air Bag) ..... 40
- Tunnel console ..... 40
- Centre console ..... 43
- Sound system compartment ('98 versions) .. 44
- Sun visors ..... 44
- Inner rearview mirror ..... 45
- Heel board ..... 45
- Outer door surround seal ..... 45
- Engine compartment guards ..... 46
- Engine compartment rear seal ..... 46
- Rear luggage compartment trim ..... 46/1
- Luggage compartment floor trim ..... 46/1
- Luggage compartment interior trim ..... 46/1
- Floor trim ..... 46/1
- Boot compartment flap catch ..... 46/2

**INTERIOR TRIM - SPIDER**

- Door surround moulding ..... 47
- Upper windscreen trim ..... 47
- Windscreen frame seal ..... 48
- Seat belts ..... 49
- Hood compartment lid ..... 50
- Hood compartment upper trim panel ..... 52
- Boot lid ..... 53
- Hood compartment inner partition ..... 54
- Luggage net ('98 versions) ..... 56
- Rear shelf trim ..... 56

**INTERIOR TRIM - GTV**

- Passenger's grab handle ..... 57
- Roof lining ..... 57
- Rear seats ..... 58
- Rear headrest ..... 61
- Side panel ..... 62
- Parcel shelf ..... 63
- Centre pillar trim ..... 64
- Rear pillar trim ..... 64

(Continued)

INDEX (Continued)

- Front seat belts ..... 65
- Rear seat belts ..... 66
- Door surround seal ..... 66

**EXTERIOR TRIM**

- Front bumper ..... 68
- Rear bumper ..... 69
- Bumper side support bracket ..... 71
- Tail light strip ..... 71
- Air intake grille ..... 72
- Front gravel guard ..... 73
- Rear gravel guard ..... 73
- Underdoor strip ..... 73
- Windscreen ..... 74
- Rearscreen (Gtv) ..... 78
- Fixed side window (Gtv) ..... 82
- Fuel flap ..... 84
- Rear spoiler ('98 versions) ..... 85

**HOOD**

- Description ..... 86
- Operation ..... 87
- On-vehicle operations ..... 88
  - Door seals ..... 88
  - Rearscreen ..... 89
  - Front hooks and pins ..... 89
  - Rear hooks ..... 89
  - Hood release actuators ..... 90
- Operations on complete hood ..... 90
  - Removal ..... 90
  - Refitting ..... 91
  - Changing the inner lining ..... 92
  - Changing the hood canvas ..... 94
  - Telescopic props ..... 96
- Adjustment ..... 97
  - Adjusting the front pins and hooks ..... 98
  - Adjusting the rear pins ..... 98
  - Adjusting the window mating seals ..... 99
  - Checking the tension of the hood canvas ..... 99

**AUTOMATICALLY-OPERATED HOOD**

- Description ..... 99/1
  - General information ..... 99/1
  - Operation ..... 99/1
  - System components ..... 99/6
- On vehicle operations ..... 99/12
  - Hood cover clamping locks ..... 99/13
  - Hood cover clamping gear motor ..... 99/14
  - Hood clamping lock unit ..... 99/14
  - Hood intermediate position switch ..... 99/15
  - Hood compartment cover hydraulic cylinder ..... 99/15
  - 5th arc hydraulic cylinder ..... 99/16
  - 5th arc control bracket ..... 99/18
  - Hood hydraulic cylinder ..... 99/18
  - Automatic hood electronic control unit ..... 99/19
  - Complete hydraulic system ..... 99/20
  - Oil reservoir ..... 99/21
  - Hydraulic pepes ..... 99/22

**HARD TOP**

- Description ..... 99/23
- Hard top side mounting bracket ..... 99/28
- Wiring for hard top heated rear windscreen ..... 99/29
- Current socket for hard top heated rear windscreen ..... 99/29
- Hard top rear pins ..... 99/30
- Hard top side fastening handle ..... 99/30
- Hard top front hooks and pins ..... 99/31
- Rear seal for hard top ..... 99/31
- Anti-scratch seal for hard top ..... 99/32
- Door window housing seal on hard top ..... 99/32
- Hard top roof lining ..... 99/33
- Wiring for hard top heated rear windscreen ..... 99/34
- Hard top heated rear windscreen ..... 99/34

**SUNROOF**

- General description ..... 100
- Sunroof glass ..... 110
- Electric motor ..... 111
- Runner and motor alignment ..... 112
- Roof runners and rack and pinions ..... 113
- Mobile deflector ..... 114
- Sliding blind ..... 114
- Complete sunroof ..... 115

**BODY**

- Description ..... 116
- Structural reinforcements ..... 116
- Wax oil protection ..... 117
- Sheet metals and plastic parts ..... 118
- Structural and semistructural adhesives ..... 120
- Deadening, sound absorbing, soundproofing and expanded polyurethane foam products ..... 121
- Recycling ..... 123
- Application of underbody protection (PVC) ..... 126
- Body painting cycle in production ..... 127
- Identification labels ..... 128
- Car lifting points ..... 128
- Car towing points ..... 128
- Bodywork restoration and painting cycles specified for the service network and included in the flat rate manual ..... 129
- General information regarding removal and installation operations ..... 133
- Warnings for operators ..... 140
- Body squaring ..... 146

**MOBILE BODY COMPONENTS**

- Doors ..... 148
- Bonnet ..... 150
- Boot lid and hinges ( for Spider) ..... 151
- Boot lid and hinges (for Gtv) ..... 153
- Damping mass (Spider only) ..... 154

## INDEX (Continued)

- Hood compartment cover and hinges (for Spider) . . . . . 155
- Front wing . . . . . 156
- Dashboard support crossmember . . . . . 157
- Battery support (only for Spider) . . . . . 158
- Radiator cover crossmember . . . . . 158
  
- FIXED BODY COMPONENTS**
- Replacing the front crossmember . . . . . 159
- Replacing the bonnet support . . . . . 162
- Partially replacing the front side panel end . . 165
- Partial replacement of front side panel . . . . . 172
- Replacing the outer boxed section of the side bracket . . . . . 178
- Replacing the side bracket . . . . . 181
- Replacing the lower panel . . . . . 184
- Replacing the bracket fastening the bracket to the pillar . . . . . 187
- Replacing the front pillar . . . . . 190
- Replacing the underdoor panel . . . . . 194
- Replacing the rear wing (only for Spider) . . . 197
- Replacing the rear wing (only for Gtv) . . . . . 204
- Replacing the rear outer wheel house . . . . . 210
- Replacing the rear pillar . . . . . 213
  
- Replacing the complete upper crossmember connecting the rear wings (only for Spider) . 216
- Replacing the partial upper crossmember connecting the rear wings (only for Spider) . 219
- Replacing the rearscreen crossmember (only for Gtv) . . . . . 223
- Replacing the rear panel, complete . . . . . 226
- Replacing the rear panel, partially at the right . . . . . 230
- Replacing the rear panel, partially at the left . . . . . 235
- Replacing the rear floor bracket (with rear panel removed) . . . . . 240
- Replacing the rear floor (with rear panel removed) . . . . . 243
- Partially replacing the rear sidemembers (with floor removed) . . . . . 247
- Replacing the windscreen pillar . . . . . 251
- Replacing the upper windscreen crossmember panel (only for Spider) . . . . . 254
- Replacing the windscreen frame complete (only for Spider) . . . . . 257
- Replacing the roof (only for Gtv) . . . . . 260



**DOORS****DESCRIPTION**

The door features a particularly sturdy and resistant structure to compensate the absence of the upper glass restrainer frame. Two anti-intrusion bars and the generous size of the underdoor sidemember offer a high level of protection against side shocks.

The accurate design of the door "surround" seals and the presence of a lock striker (two for the Spider) ensure safe and precise mating between the door and the body.

The window winding device has been newly designed. The electric motor controls a rack and pinion coupling. The rack and pinion which accomplishes an

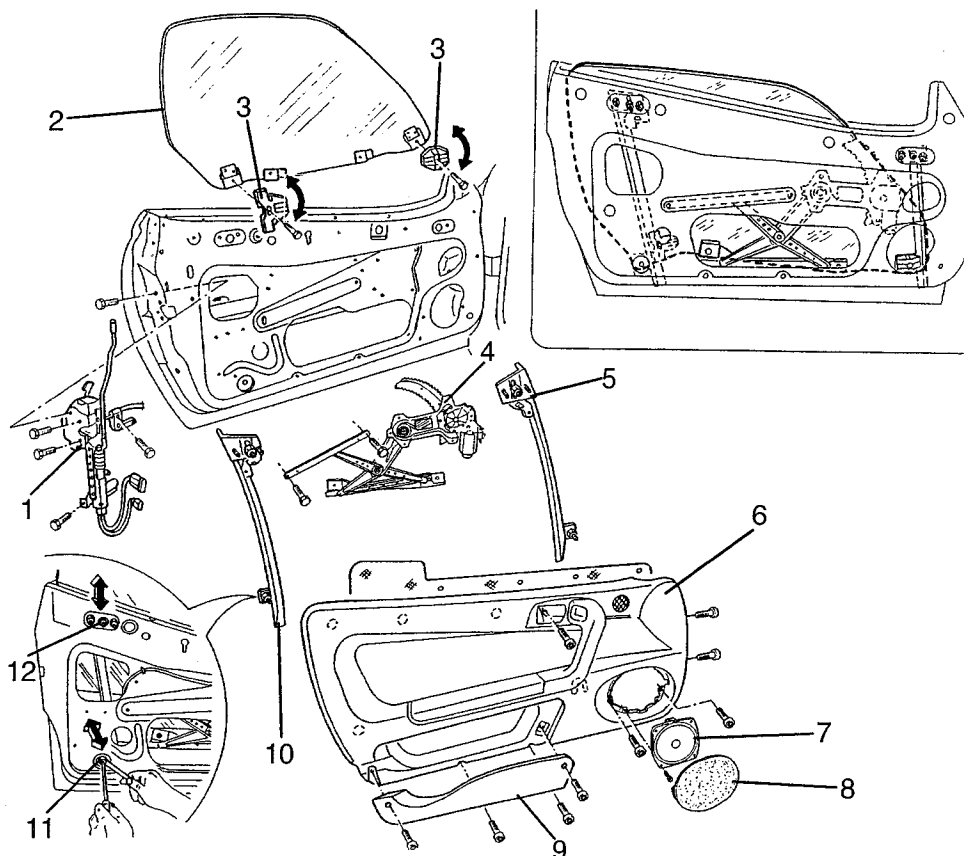
arc of circumference trajectory and is connected to a jointed system which allows a purely translating motion of the lower rod to which the glass is fixed.

The window stroke is controlled by two vertical guides which are adjustable crosswise and house the vertical mechanical stopper, which is also adjustable.

Also the mating position between the sliding pads along the guides and the stay brackets on the glass is adjustable.

The glass runs on the outside of the guides and the stay brackets are retained on the glass.

Access can be gained to the guide adjustment screws without having to remove the door panel.



- |                          |                                      |
|--------------------------|--------------------------------------|
| 1. Closing/opening       | 7. Speaker                           |
| 2. Glass                 | 8. Plate                             |
| 3. Pads                  | 9. Door utility compartment          |
| 4. Window winding device | 10. Rear guide                       |
| 5. Front guide           | 11. Guide crosswise adjustment       |
| 6. Door panel            | 12. Glass vertical stroke adjustment |

## COMPLETE DOOR

### REMOVAL/REFITTING

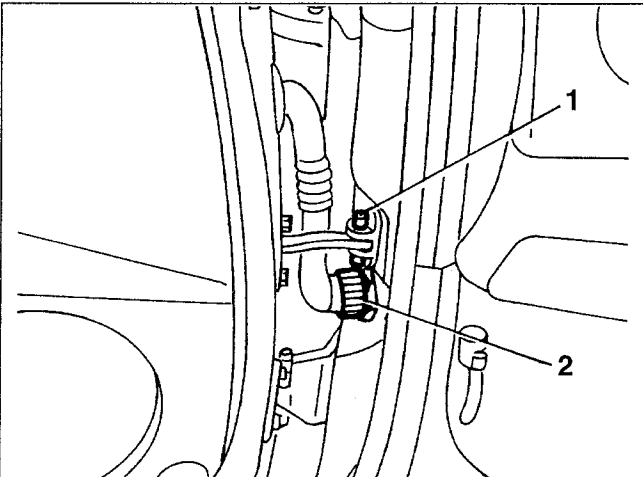
NOTE: During removal (or refitting) avoid damaging the paintwork.

Open the bonnet.

– Lower the window and then disconnect the battery.

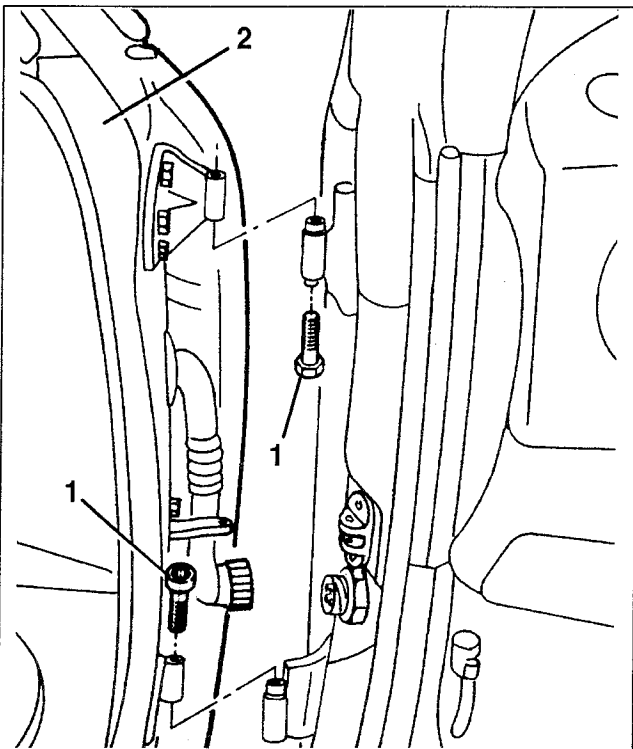
1. Remove the door check rod pin upwards. Close the door slightly to allow the entry of the rod, then reopen the door.

2. Slacken the locknut and disconnect the connector.



1. Slacken the two screws fastening the door to the hinge.

2. Raise the door to remove the hinge taper pins from their housings, then remove the door.



Refit the door reversing the sequence followed for removal. Adjust the door position.

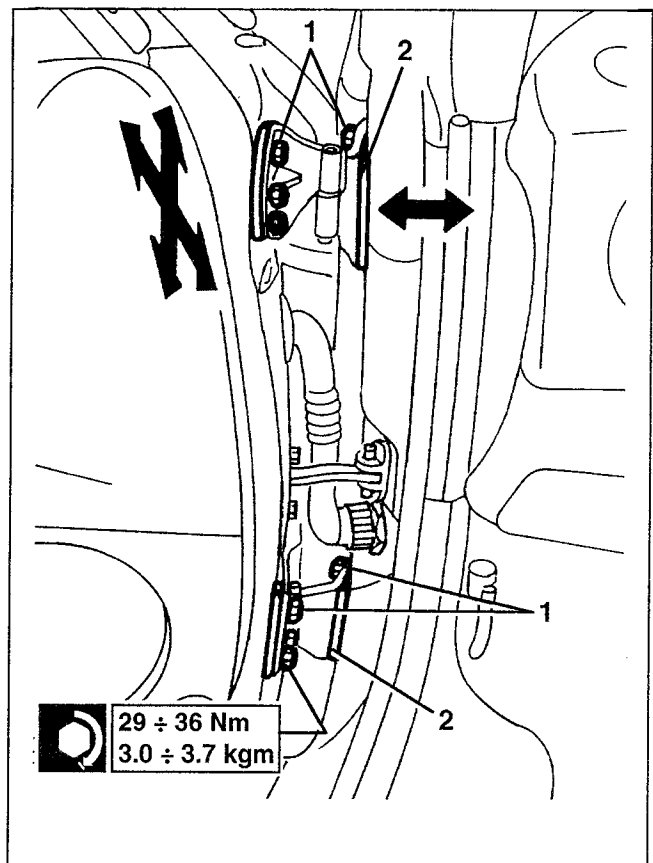
### ADJUSTMENT

1. Loosen the screws fastening the hinges to the door and/or body and adjust the door in height and longitudinally.

2. If necessary, place suitable thicknesses under the hinges to adjust the position of the door.

– Tighten the screws to the specified torque.

NOTE: The upper hinge also supports the bonnet connection bracket. If the coupling position of this hinge with the bonnet needs changing, adjust the door together with bonnet alignment.

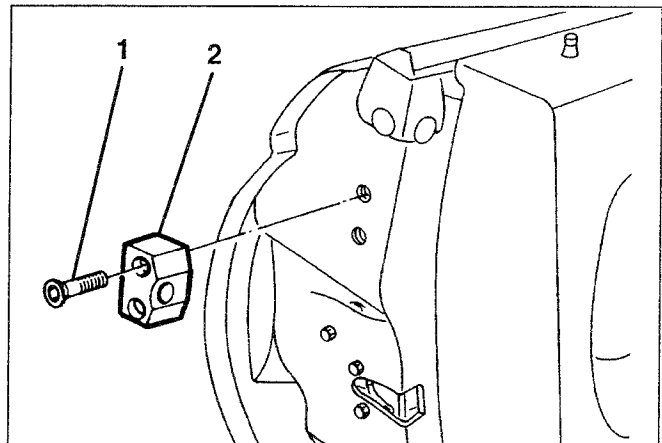


### DOOR STRIKER (Spider only)

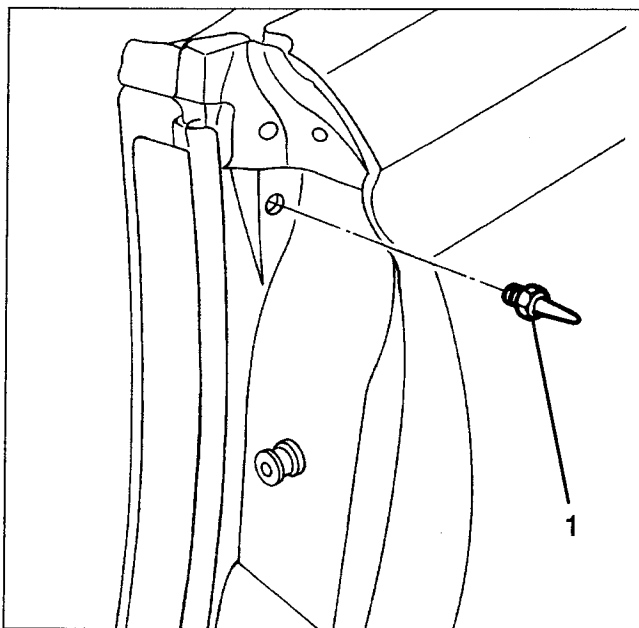
#### REMOVAL/REFITTING

1. Slacken the two screws.

2. Remove the striker block.



1. Slacken and remove the striker pin



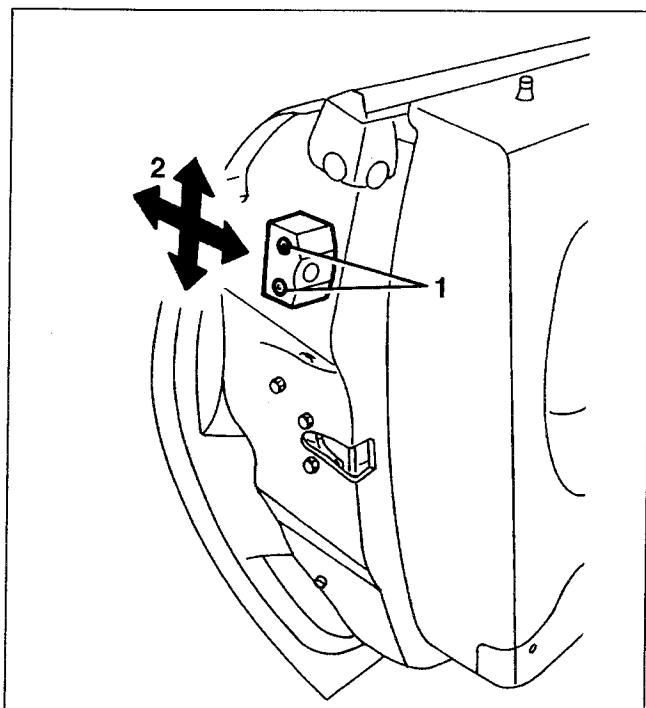
Refit, reversing the sequence followed for removal.

**ADJUSTMENT**

The striker may only be adjusted after checking that the door is perfectly aligned.

1. Loosen the two block screws,
2. Change the position of the striker block to obtain perfect mating with the striker pin which is in a fixed position. Then tighten the screws.

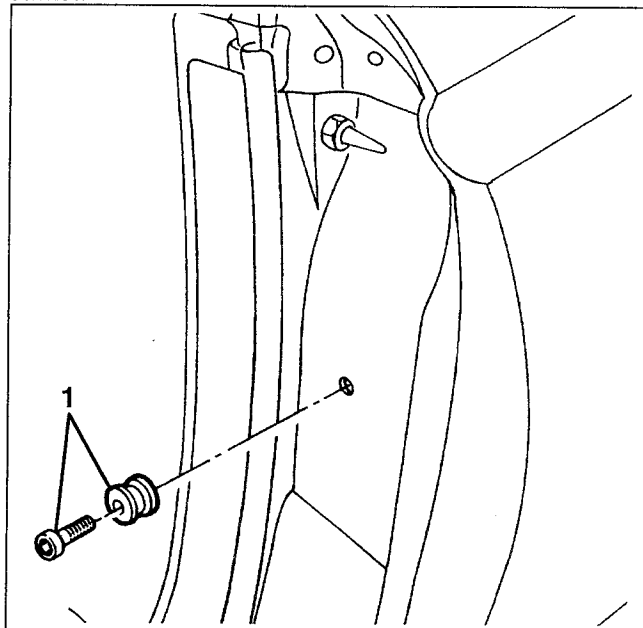
Check for perfect mating between the lock and the striker, adjust appropriately if necessary (see specific paragraphs).



**LOCK STRIKER**

**REMOVAL/REFITTING**

1. Slacken the centre screw and remove the lock striker.



Refit, reversing the sequence followed for removal.

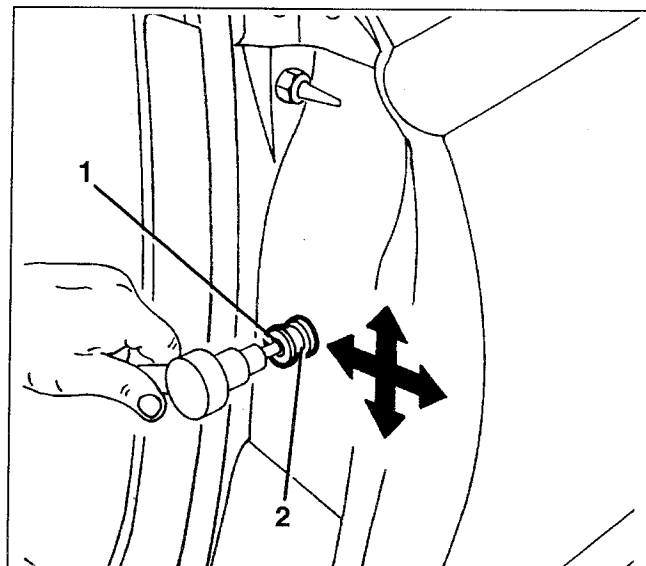
**ADJUSTMENT**

The striker lock may be adjusted only after checking the perfect alignment of the door and mating with the door striker.

1. Loosen the striker screw.
2. Change the position of the striker to obtain perfect mating with the door closing device. Then tighten the screw.

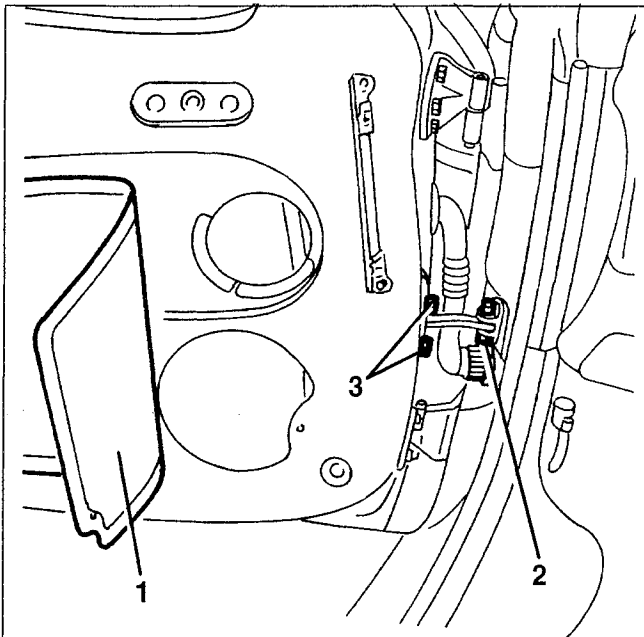
**NOTE:**

**Direct the notches on the striker surface towards the inside of the car.**

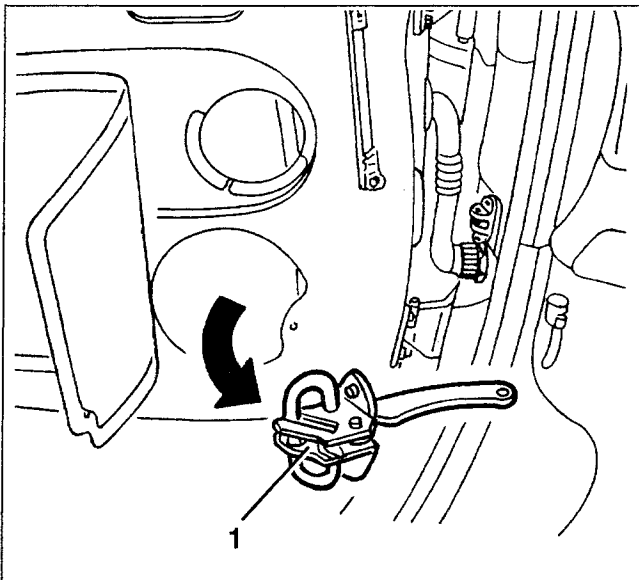


**DOOR CHECK ROD****REMOVAL/REFITTING**

- Remove the door panel (see specific paragraph)
- 1. Partially remove the interior trim, taking care not to damage it.
- 2. Remove the door check rod pin upwards. Close the door slightly to allow the entry of the rod, then reopen the door.
- 3. Slacken the two screws fastening the check rod.



1. Withdraw the check rod from the inner door.

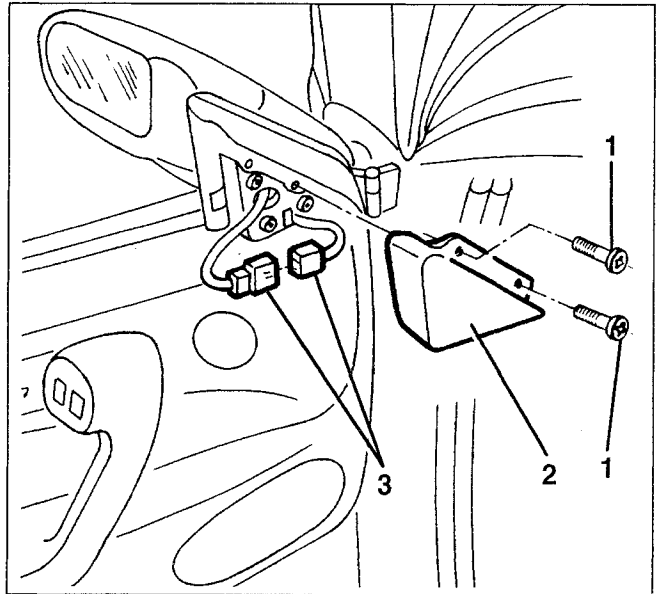


When refitting reverse the sequence followed for removal following the instructions given below:

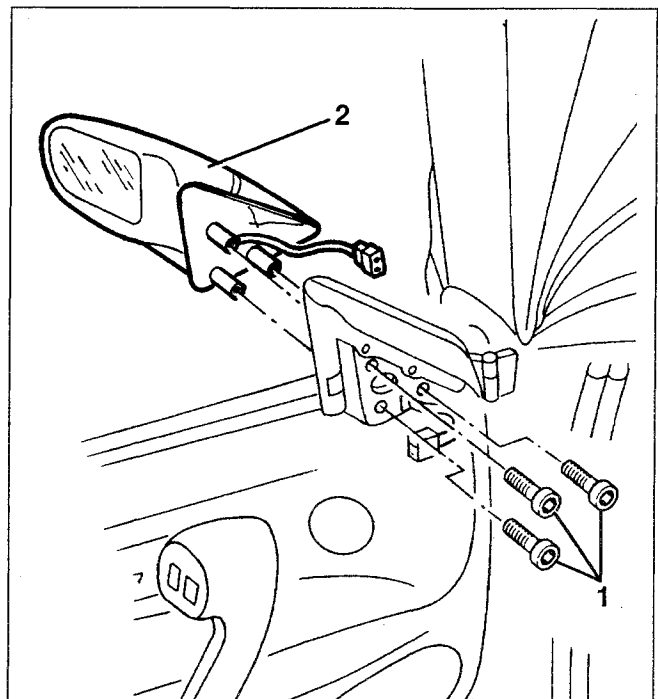
- Before refitting the door check rod, treat the contact area with Primer.
- If the interior trim glue no longer ensures perfect adherence, change it.

**DOOR MIRROR****REMOVAL/REFITTING**

- Lower the window and disconnect the battery.
- 1. Slacken the two screws.
- 2. Remove the plate.
- 3. Disconnect the electrical connection.



1. Slacken the three door mirror fastening screws.
2. Remove the door mirror releasing the wiring.



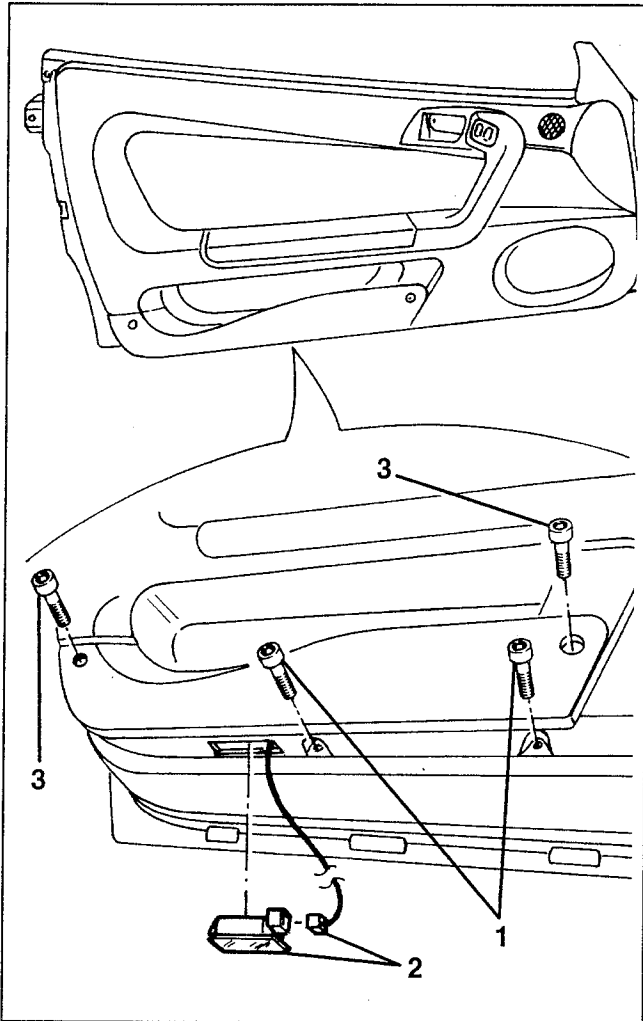
Refit the door mirror reversing the sequence followed for removal.



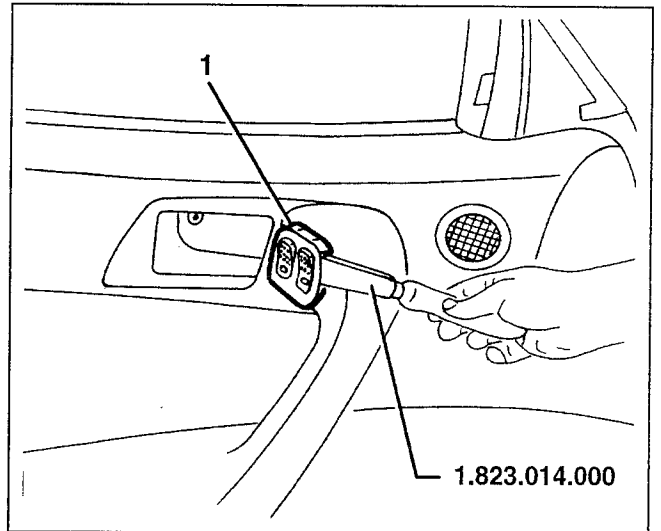
**DOOR PANEL**

**REMOVAL/REFITTING**

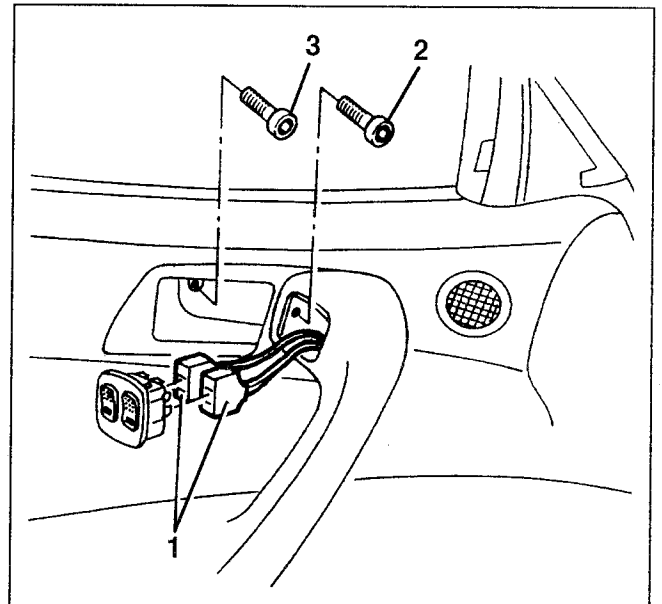
- Disconnect the battery.
- Remove the front speaker (see Group 55 - Electric system).
- 1. Slacken the two lower screws.
- 2. Withdraw and disconnect the lamp.
- 3. Slacken the two screws and remove the door utility pocket withdrawing it downwards.



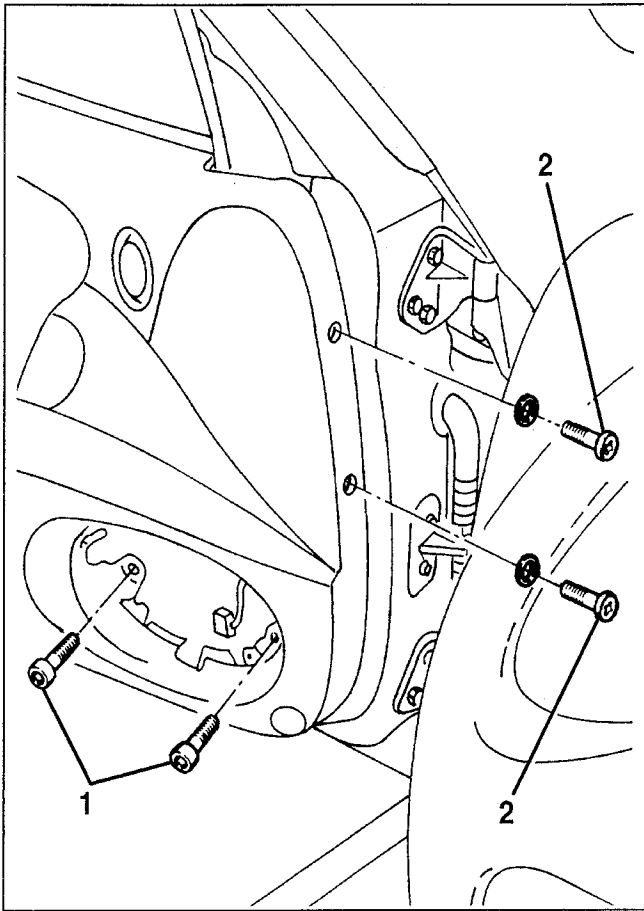
1. Using tool 1.823.014.000, remove the power window switches, complete with plate, from their housing.



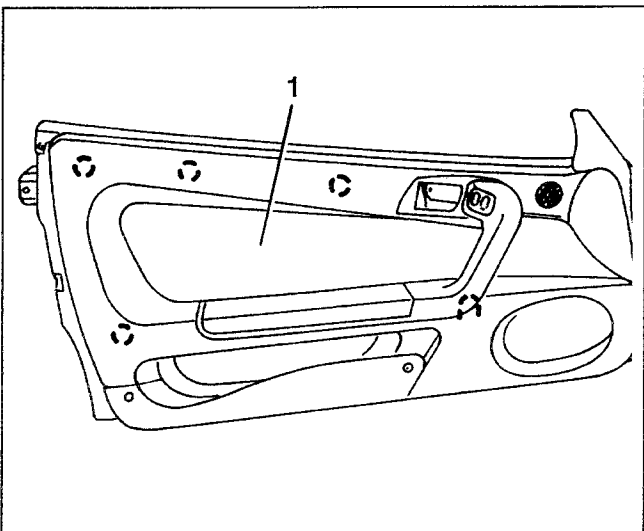
1. Disconnect the electrical connections from the power window switches and remove the switches.
2. Slacken the fastening screw located in the switch opening.
3. Slacken the fastening screw under the inner door opening handle.



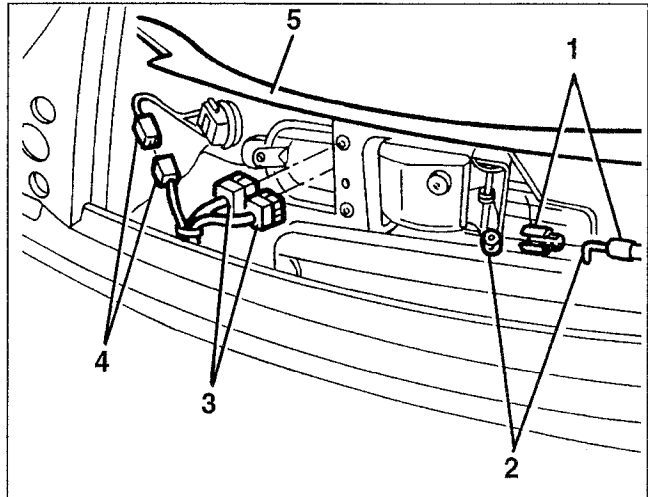
1. Slacken the two fastening screws in the speaker compartment.
2. Slacken the two front panel fastening screws.



1. Raise the panel and prise it off the pins positioned as illustrated. Do not remove it but move it away only slightly from the door.



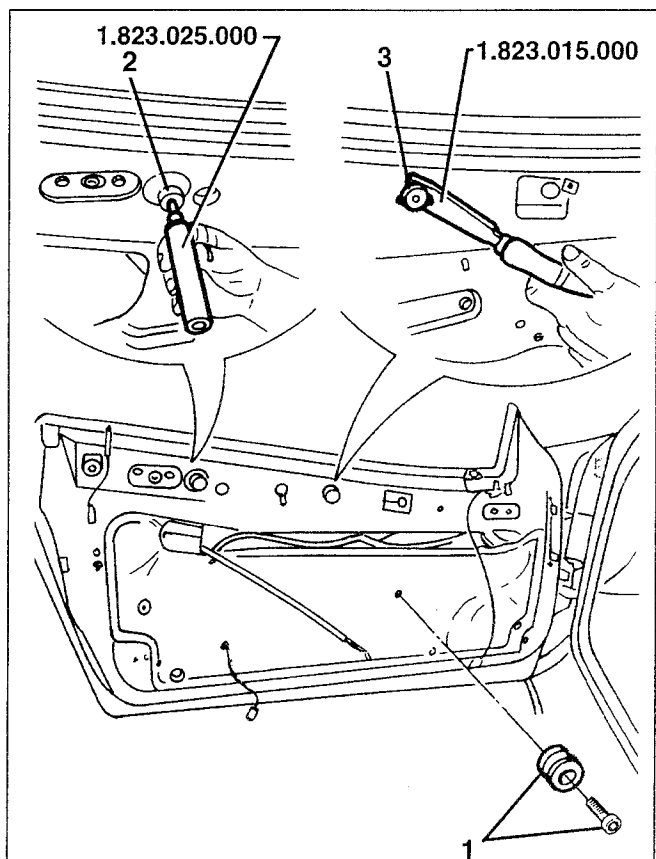
1. Remove the door opening handle cable sheath from the retainer clip.
2. Withdraw the cable from the handle bracket.
3. Release the power window switch connectors.
4. Disconnect the tweeter speaker connection.
5. Remove the door panel.



Refit the door panel reversing the sequence followed for removal.

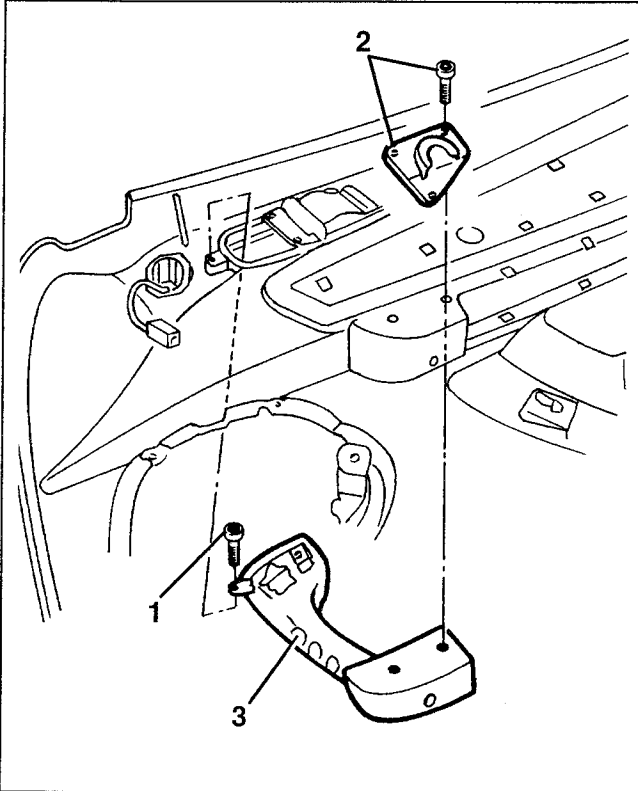
**REPLACING THE DOOR PANEL STAY PINS**

1. Slacken the screw and remove the centre pin.
2. Using tool 1.823.025.000 press the centre nail out of the peripheral pins.
3. Using tool 1.823.015.000 remove the peripheral pins and retrieve the centre plastic nails.

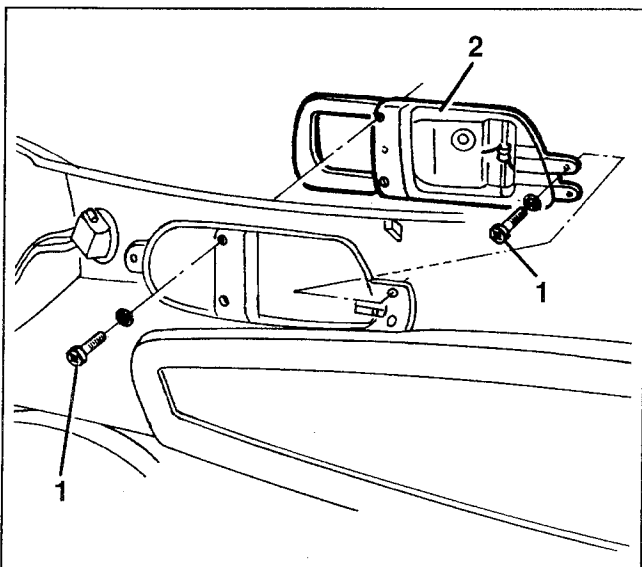


**DIS-ASSEMBLY**

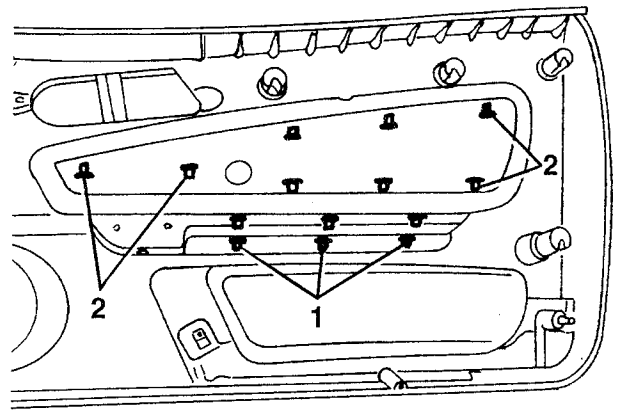
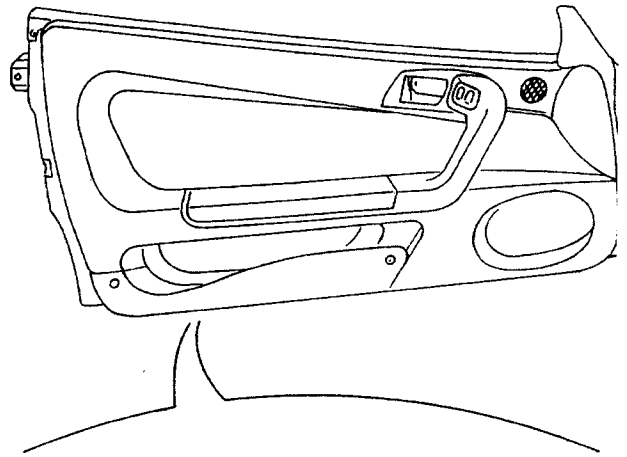
1. Slacken the upper fastening screw.
2. Slacken the three lower screws and remove the retainer bracket.
3. Remove the inner handle.



1. Slacken the four screws.
2. Remove the door opening inner handle plate.



1. Straighten the tabs and remove the armrest.
2. Straighten the tabs and remove the trim panel.



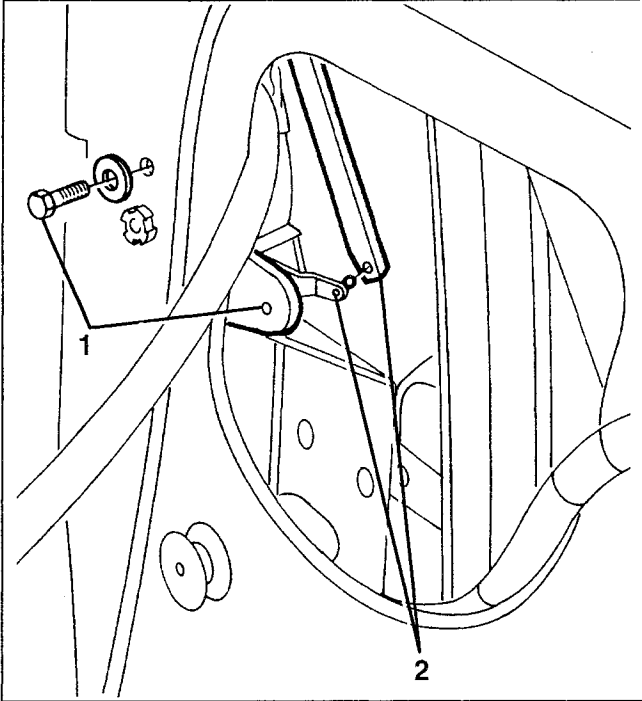
Re-assemble the door panel reversing the sequence followed for dis-assembly.

## LOCK UNIT

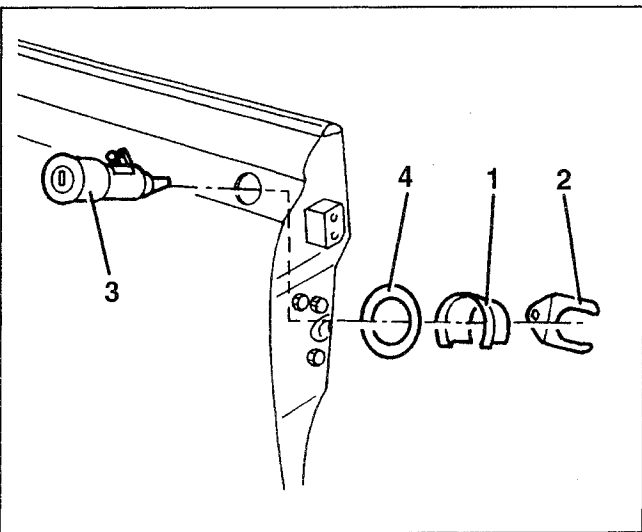
### REMOVAL/REFITTING

– Remove the door panel (see specific paragraph).  
Move aside the interior trim.

1. Remove the lock control bracket.
2. Disconnect the tierod coupling the lock unit to the lock device.



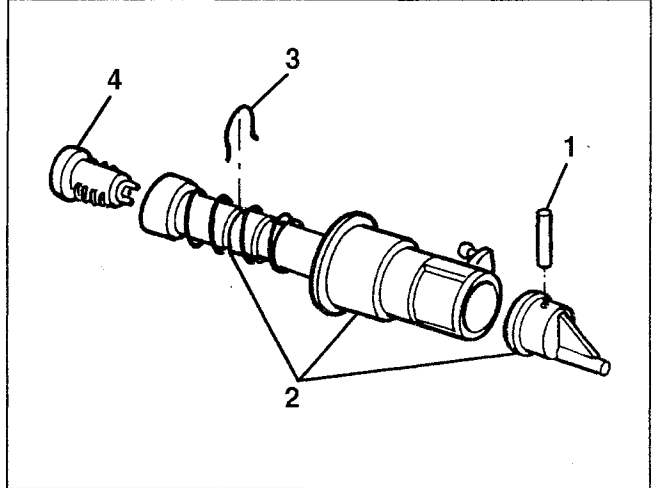
1. Withdraw the locking.
2. Withdraw the retainer clip.
3. Remove the lock unit from the outside of the door.
4. Remove the ring.



Refit the lock device reversing the sequence followed for removal.

## DISASSEMBLY

1. Withdraw the retainer pin.
2. Dis-assemble the unit.
3. Remove the retainer clip.
4. Remove the unit.

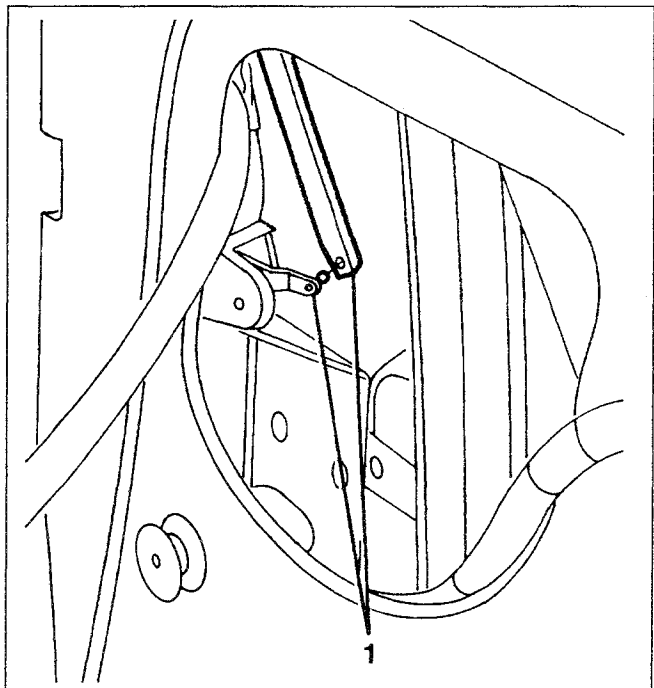


Re-assemble the lock unit reversing the sequence followed for dis-assembly.

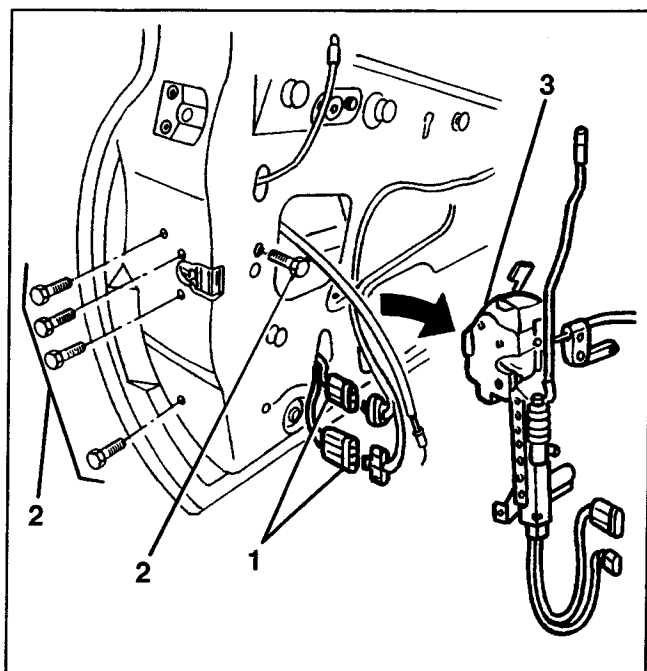
## LOCK DEVICE

### REMOVAL/REFITTING

- Raise the window and disconnect the battery.
  - Remove the door panel (see specific paragraph).
  - Move aside the interior trim.
1. Disconnect the tierod of the lock unit from the lock device.

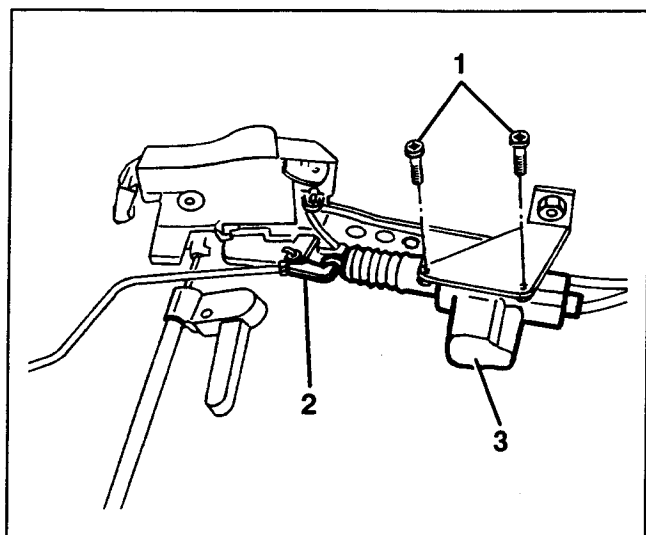


1. Disconnect the two electrical connections.
2. Slacken the five screws
3. Remove the lock device from the inside of the door.



If necessary:

1. Slacken the two screws.
2. Release the catch.
3. Remove the door locking actuator.



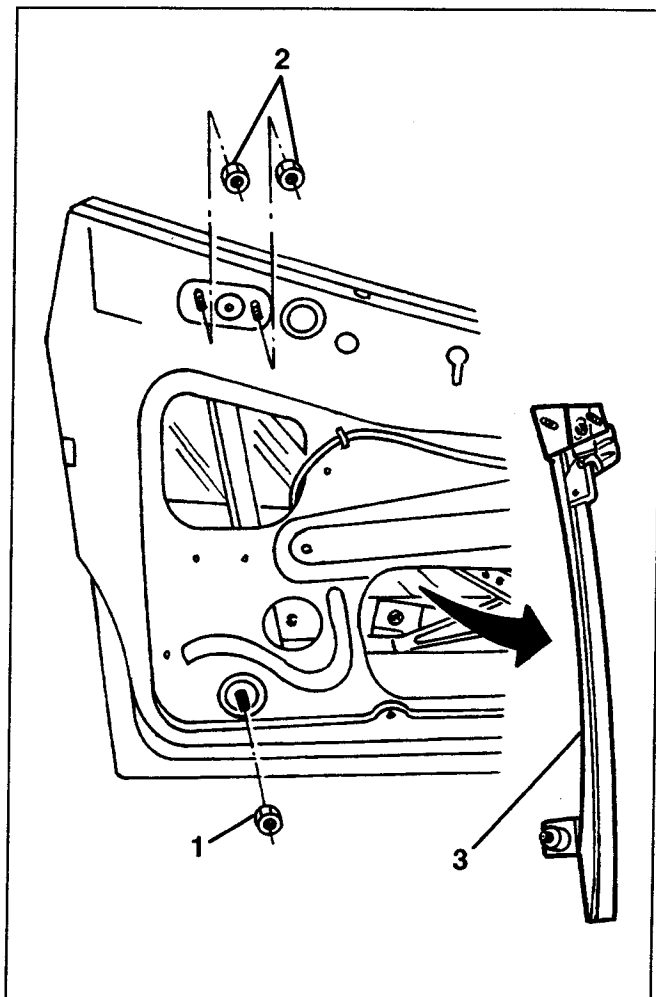
Refit the lock device reversing the sequence followed for removal.

## WINDOW GUIDES

### REMOVAL/REFITTING

– Remove the window (see specific paragraph)

1. Slacken the lower nut.
2. Slacken the upper nuts.
3. Remove the guide.

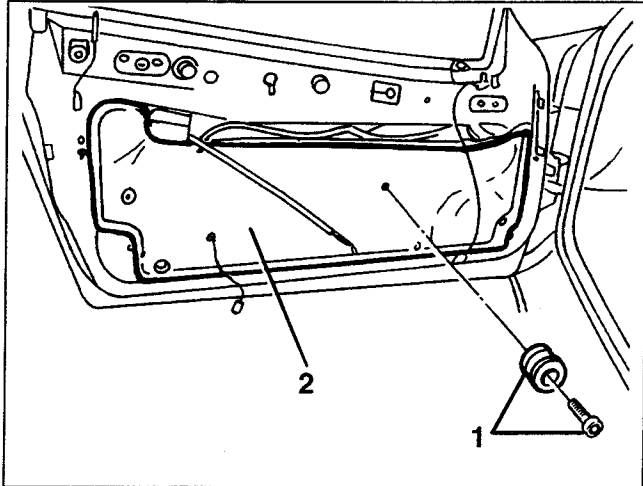


When refitting reverse the sequence followed for removal and adjust the position of the guides.

**WINDOW  
REMOVAL**

Remove the door panel (see specific paragraph).

1. Slacken the screw and remove the centre panel stay pin.
2. Detach the interior trim, taking care not to damage it.

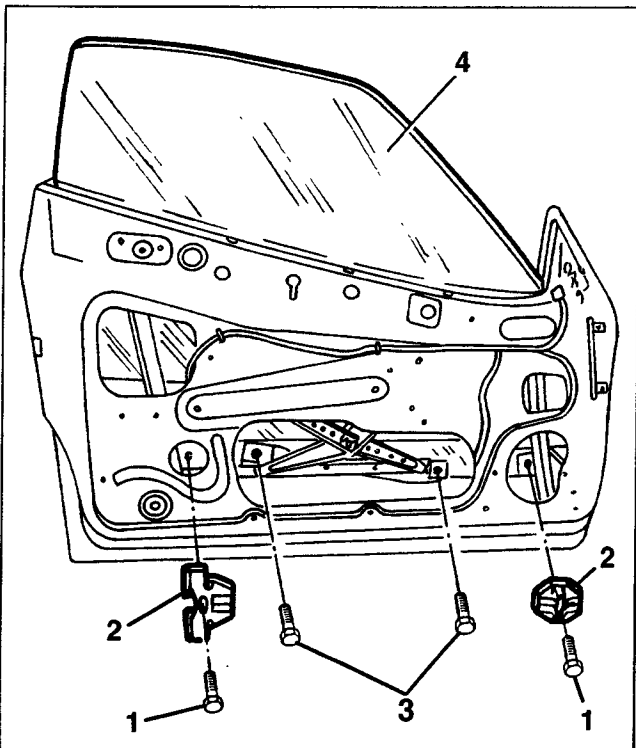


– Reconnect the power window switches and the battery.

– Move the window to an intermediate position in which access is possible to the four window anchoring screws.

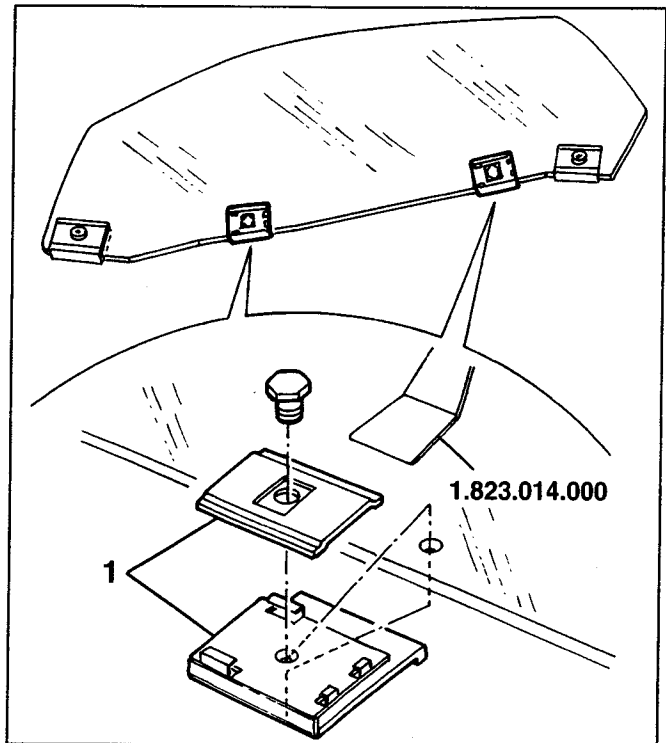
– Remove the inner glass wiper seal (see specific paragraph).

1. Slacken the screws fastening the window to the pads of the guides.
2. Remove the guide pads.
3. Slacken the screws fastening the window to the window winding device.
4. Remove the window from above.



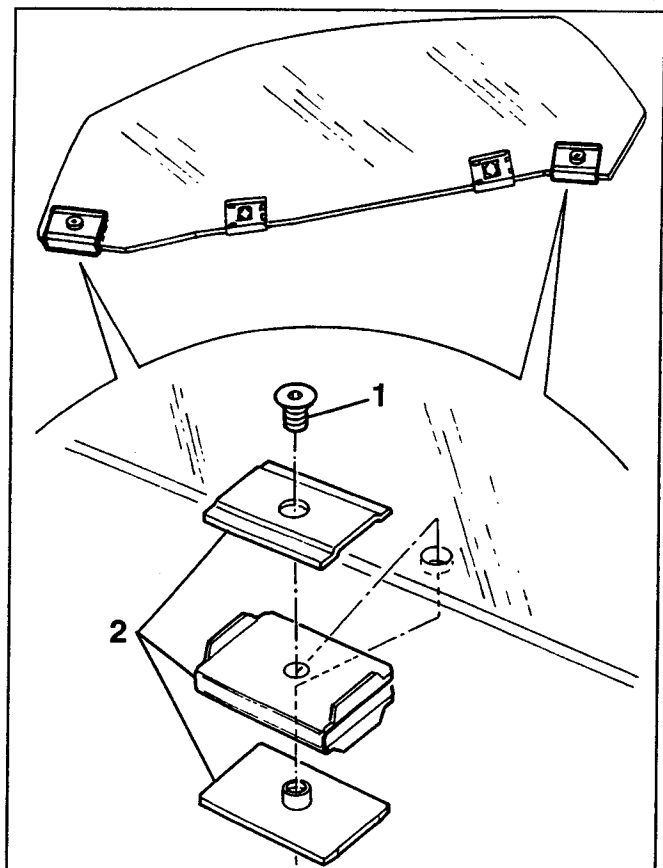
If necessary:

1. Prise out and open the plastic seats with electric window attachment plate using tool 1.823.014.000



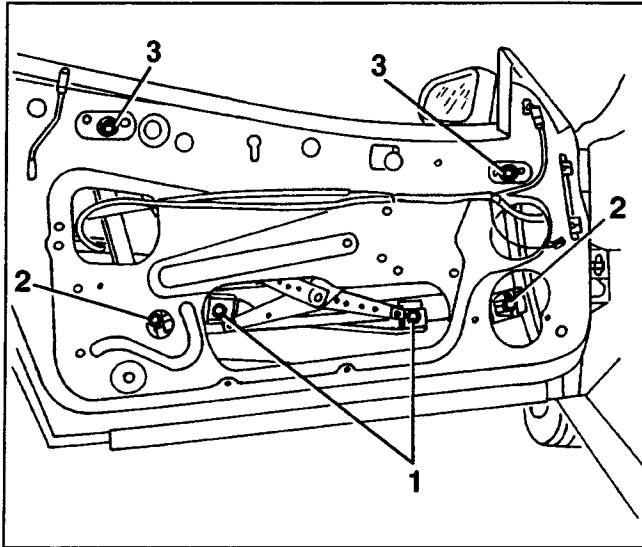
– If necessary:

1. Undo the retaining bush.
2. Remove the plastic seats with window slide pad attachment plate

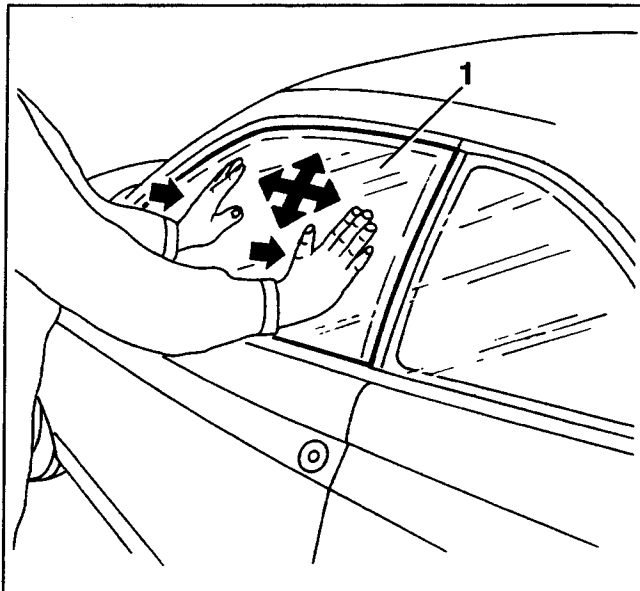


**REFITTING**

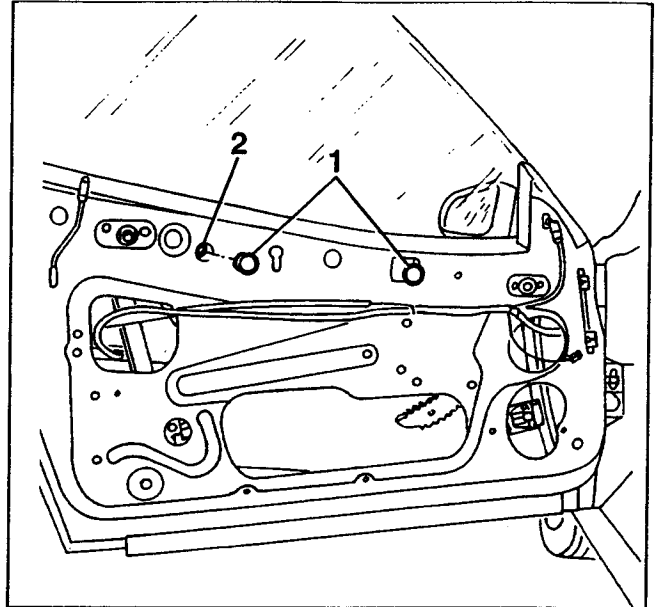
- Re-position the window in its housing.
- 1. Tighten the window fastening screws to the window winding device, without locking them.
- 2. Tighten the screws that fasten the runners to the glass, without locking them.
- 3. Move the glass to the raised position and slacken the lock nuts of the stops.



- Shut the door
- 1. Working as illustrated, press the glass and settle it in place in its housing in contact with the seals.



- 1. Working from the passenger compartment (without opening the door) remove the two rubber caps.
- 2. Tighten the screws that fasten the window to the window winder.

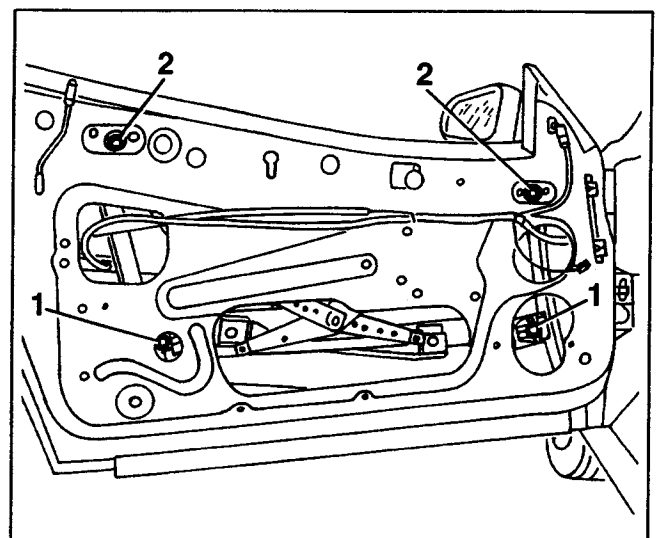


- Lower the window to the position in which the screws that fasten the window to the runners are accessible.

- 1. Tighten the screws fastening the runners to the window.
- 2. Check the position of the upper stop and tighten the corresponding nuts.

- Carry out the adjustment procedure (see following paragraph).

- Carry out the up-down device device adjustment procedure (see specific paragraph).

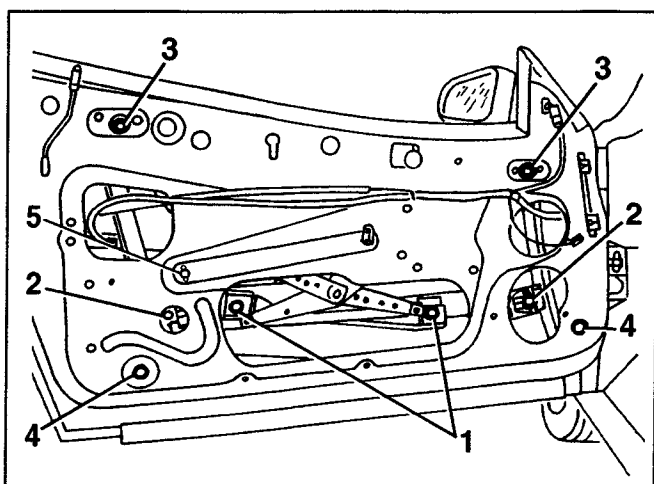


## WINDOW ADJUSTMENT

Adjustment of the glass position is fundamental in ensuring correct mating of the door in its surround and perfect air and water tightness.

The absence of the glass contour frame in fact, imposes perfect adjustment of the mating between glass and seals, with the door closed and the window up, to avoid wind noise and leaks.

The window adjustment points are the following:

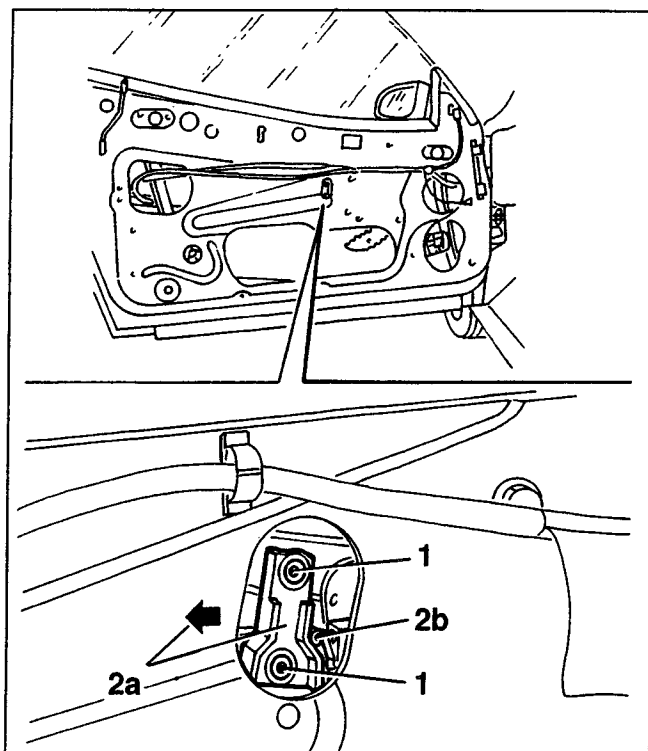


1. Glass fastening points on lower window winder rod (longitudinal adjustment).
2. Mating of runners - glass (crossways and partly vertical adjustment).
3. Runner stops (vertical adjustment).
4. Lower guide connection points (crossways adjustment). These adjustment points should be taken to the nominal dimension and serve solely for small final adjustments of the glass transversal position.
5. Window winder pad anchor point (adjustment of window up/down trajectory).

**NOTE:** before adjusting the window, disable the up-down device as described below.

– remove the door panel and interior trim (see specific paragraph).

1. Loosen the cam retaining bolts.
  2. Move cam (2a) away from microswitch (2b) and secure.
- Once adjustment is complete, adjust the up-down device (see specific paragraph).

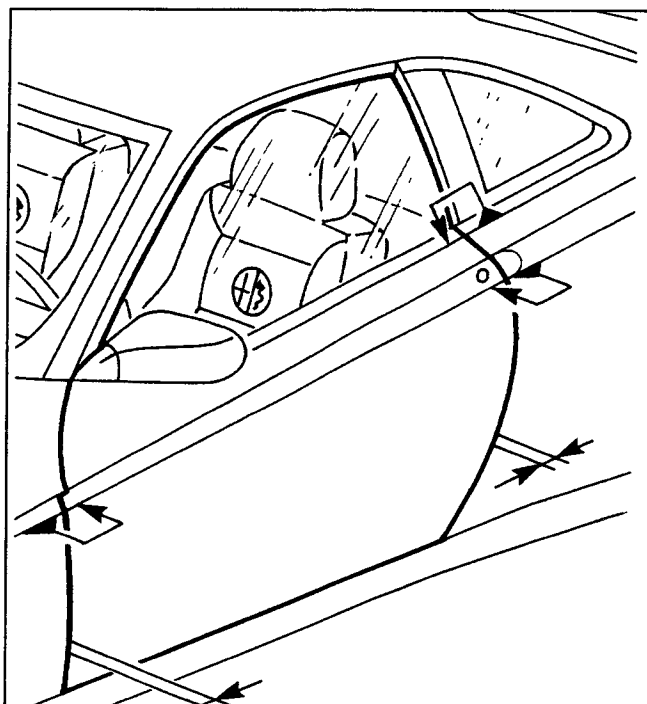


### Checks and inspections

Before carrying out the window adjustment procedure it is necessary to carry out certain checks to locate the cause of malfunctioning.

A) Check the up-down device is correctly adjusted (Group 70 - Body - Doors - UP-DOWN device - Adjustment).

B) Check the correct alignment of the door. For adjustment refer to Repair Manual - Group 70 - Body - Doors - Door Complete - Adjustment).



C) Additionally for Spider: check the correct mating between the three sections of hood seal (A), between



the rear edge and the door surround seal (B) and between the front edge and the windscreen pillar seal (C).

Also check that the hood is closed correctly and centred in relation to the windscreen and that between the front edge of the hood and the crossmember above the windscreen there is a constant distance of 6 to 7 mm for correct pressure of the seal (D).

**NOTE:**

If the reason for adjustment is replacement of the window, there is no need for checks C), D) and E). In this case, continue with the adjustment procedure.

Conversely, in the case of faults noted during use of the vehicle (noise, draughts of air/water leaks), proceed with checks C), D) and E) and then carry out the adjustment procedure.

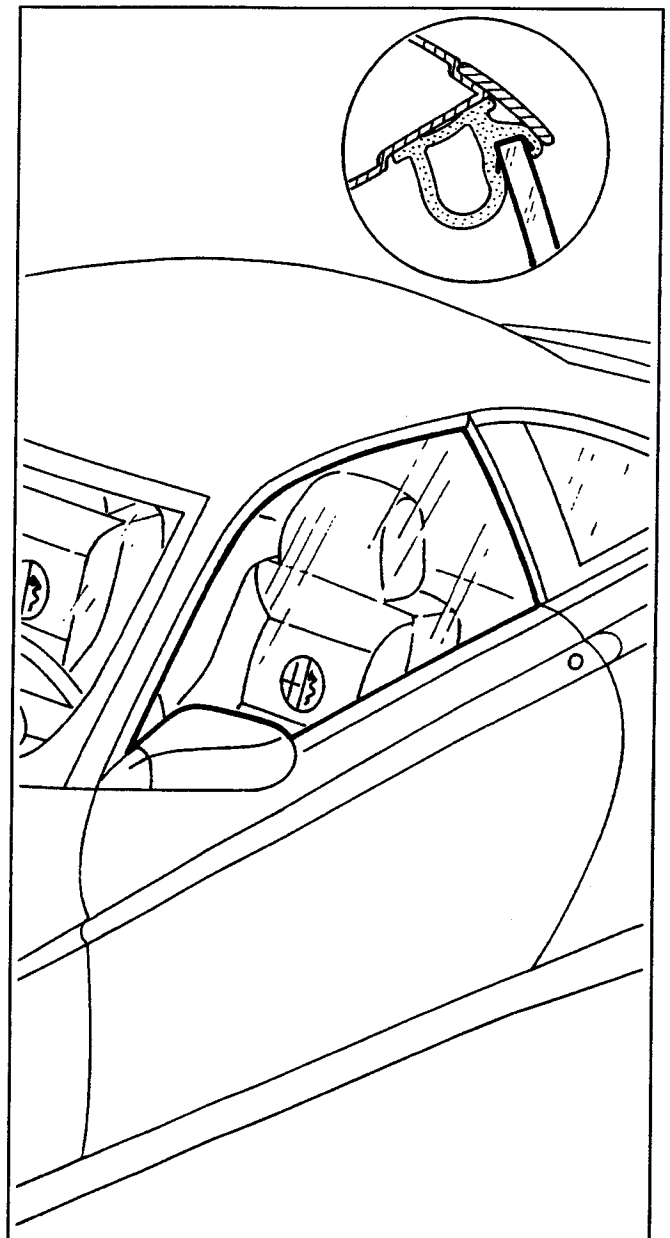
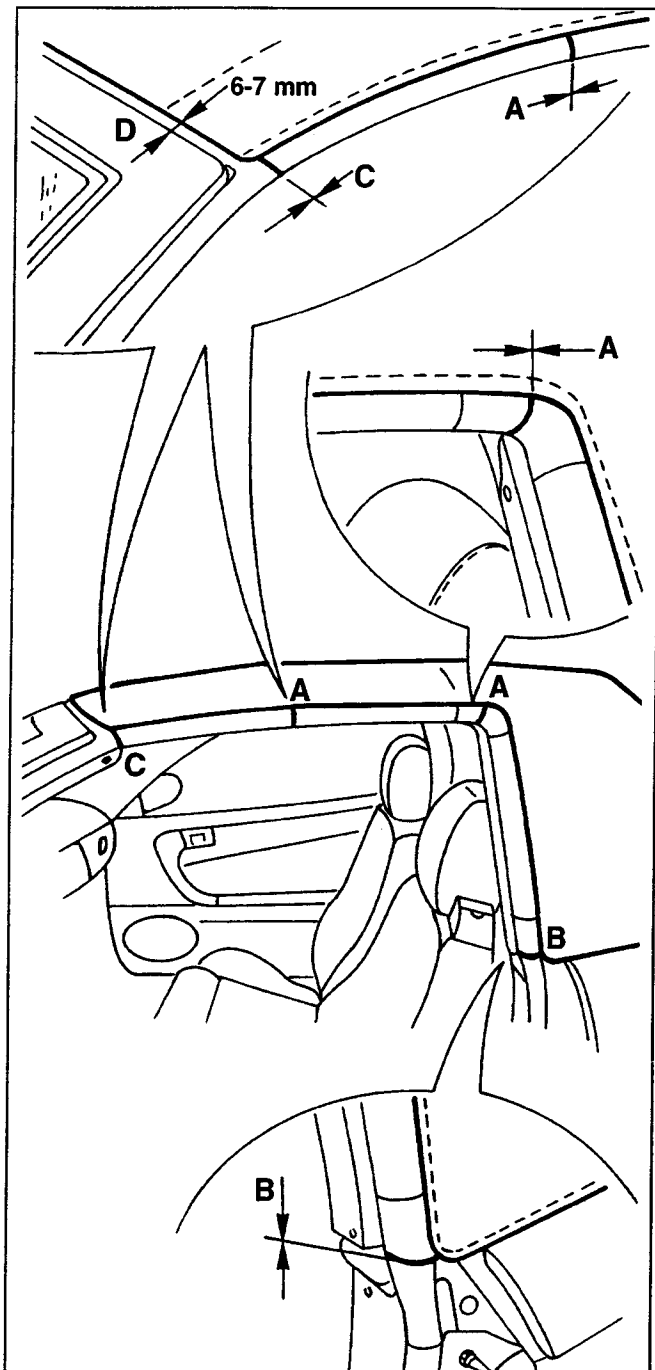
Checks C), D) and E) should then be carried out at the end of the adjustment procedure to make sure that the operations have been carried out correctly.

D) Open the door, raise the window, close the door and check that the window adheres properly to the seals and that the gaps are correct. Also check that the glass is correctly inserted under the upper seal so that the grinding of the upper edge of the glass remains concealed at each point.

E) Keeping the door shut, lower and raise the window. Check that the stroke is even and that, with the window raised, the gaps as per point C) are measured.

F) Accurately test the car to precisely find any malfunctions of the window.

With the window closed, travel at different speeds to see if air enters the car.

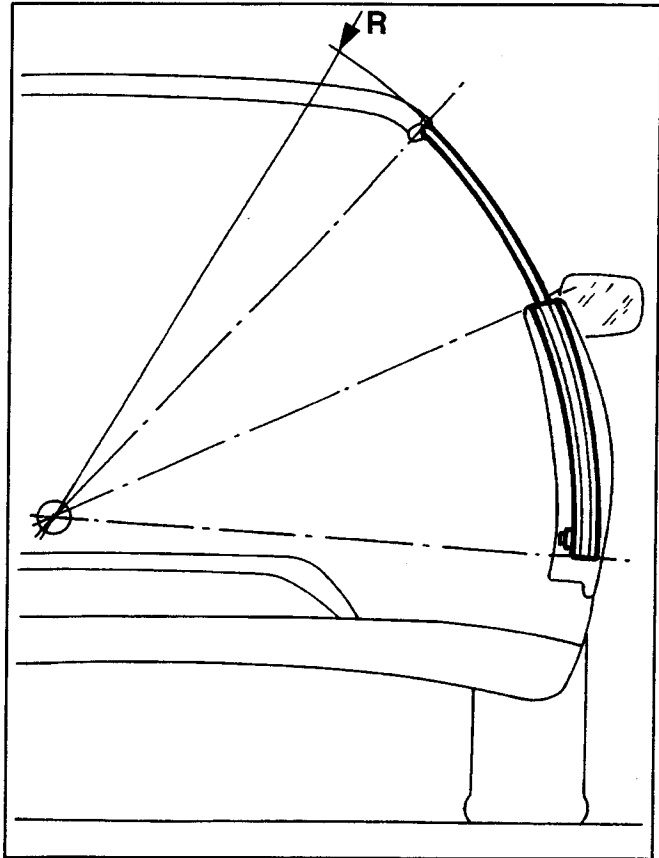
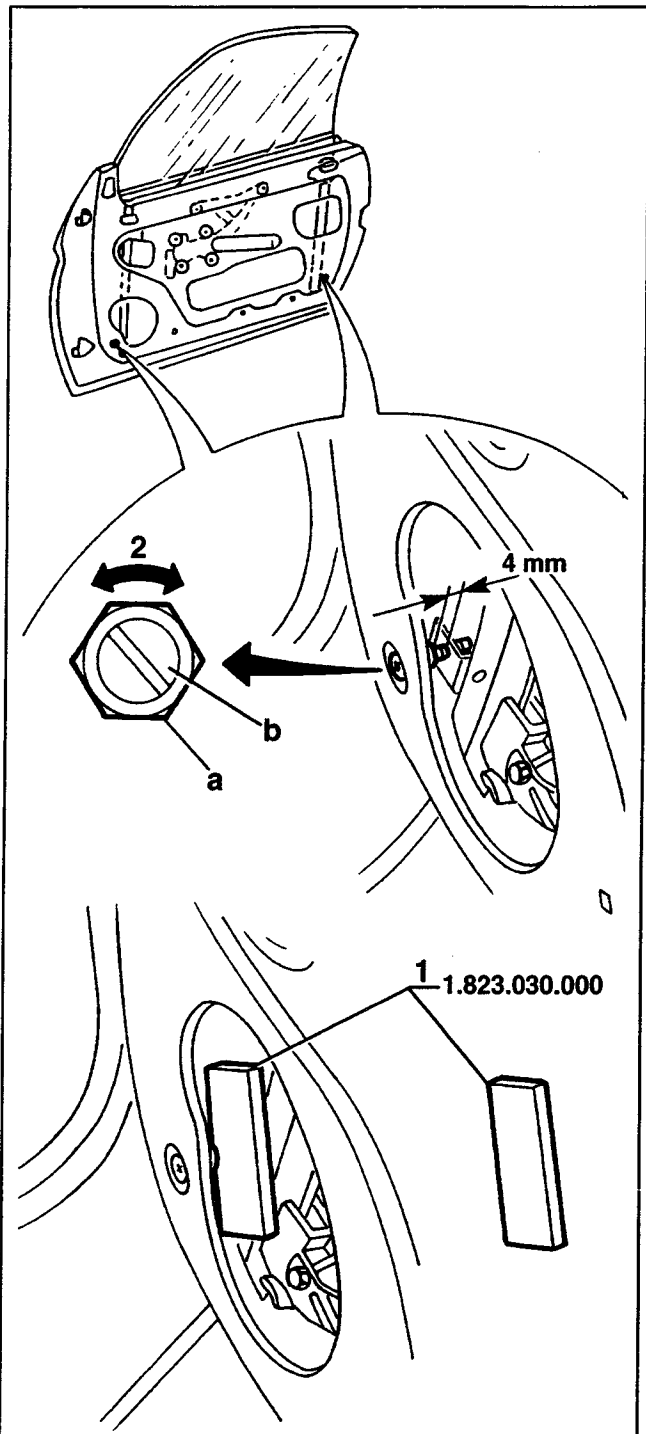


**Adjustment procedure - Gtv**

- Remove the door panel (see Repair Manual - Group 70 - Body - Doors - Door Panel).
  - Remove the protective inner trim taking care to avoid damage to it.
  - Re-connect the power window switch.
1. Using the gauge of tool kit 1.823.030.000 check the correct distance (nominal) between the lower bracket of the window guide and the corresponding spacer.
  2. If necessary, adjust the distance slackening the lock nut (a) and working on the centre nut (b).

Note: This check, and, if necessary, restoring the nominal dimension in mating between the guides and the door frame is a necessary condition for correct adjustment of the window.

In fact the correct restoring of this dimension allows the guides to have the same centre of curvature as the body profile, optimising smooth functioning of the window and correct pressure on the seals.

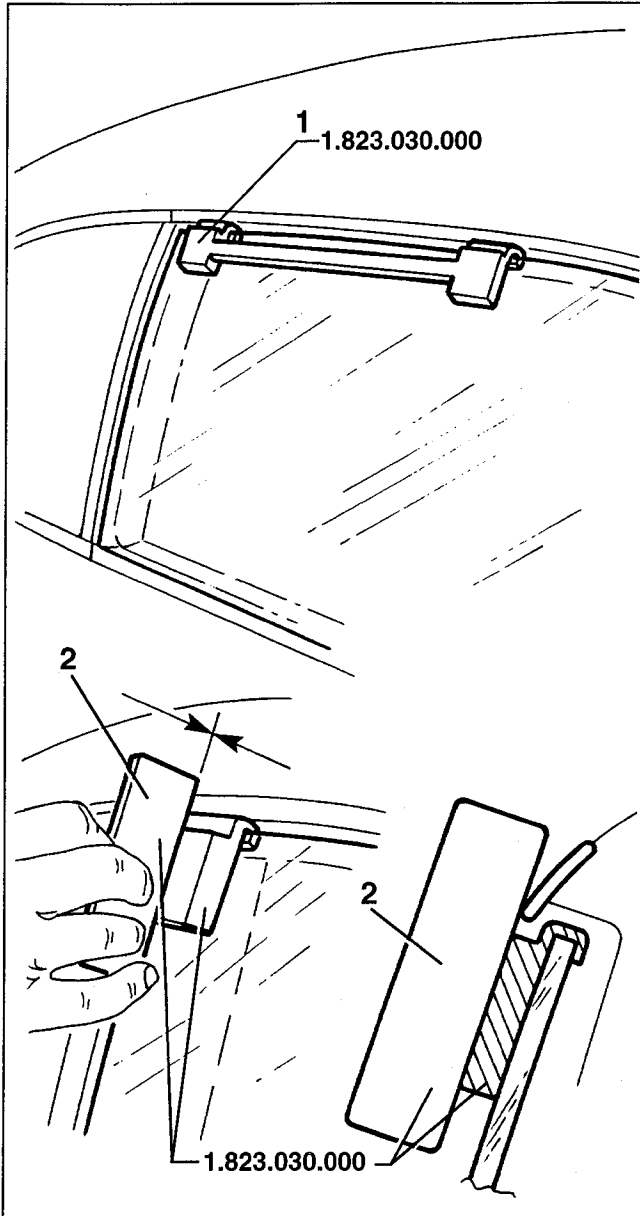


- Remove the door surround seal (see Repair Manual - Group 70 - Body - Interior trim - Door surround seal).

1. With the window up, open the door and position the control tool 1.823.030.000 on the upper profile of the glass.

- Close the door and keep it aligned with the side panel.

2. Using the gauge-tool, check alignment of the outer surface of the blocks and the edge of the door surround weatherstrip.



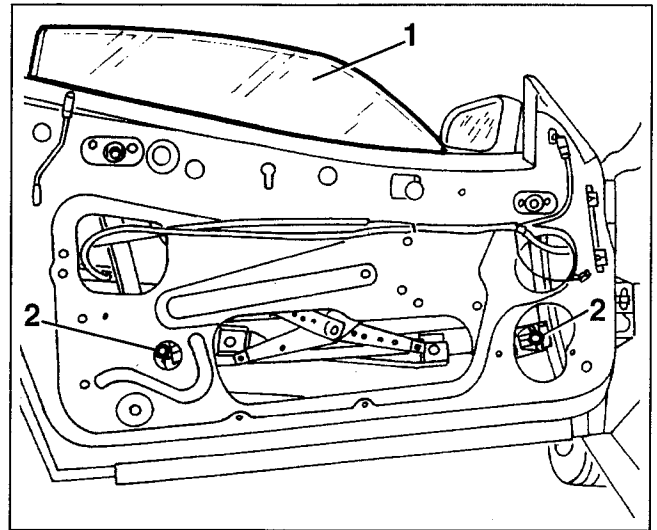
If alignment is not noted in one or both positions of measurement, work on the glass/guide coupling runners, proceeding as follows:

1. Move the glass to an intermediate position in order to gain access to the runner screws.

2. Slacken the screws that fasten the runners to the window.



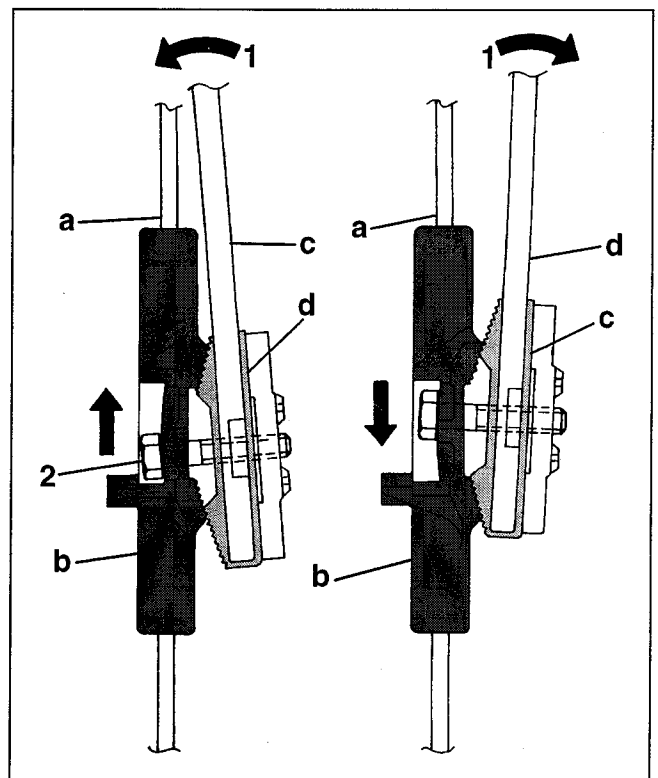
Adjustment may be carried out also on one runner only, depending on the misalignment measured with the tools during the previous stage.



1. Change the mating position between runner and window. The two mating profiles have been designed especially to create a broad possibility if crosswise adjustment of the glass.

In particular, highering the window, it will move inwards or vice versa.

2. Tighten the screw and repeat the alignment test with tools 1.823.030.000.



a. Vertical guide  
b. Runner

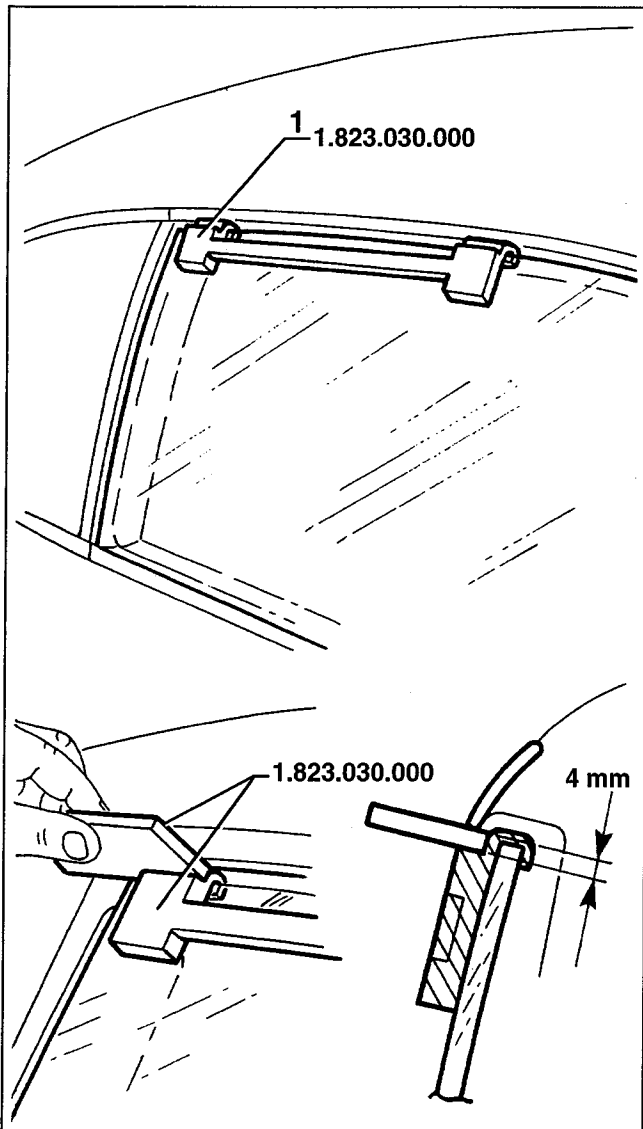
c. Window brackets  
d. Window

Note: The mating profile between runner and glass is toothed. The movement of a tooth corresponds to a crossways movement of appr. 4 mm of the upper edge of the glass with the window raised.

Carry out adjustment of mating between runner and window.

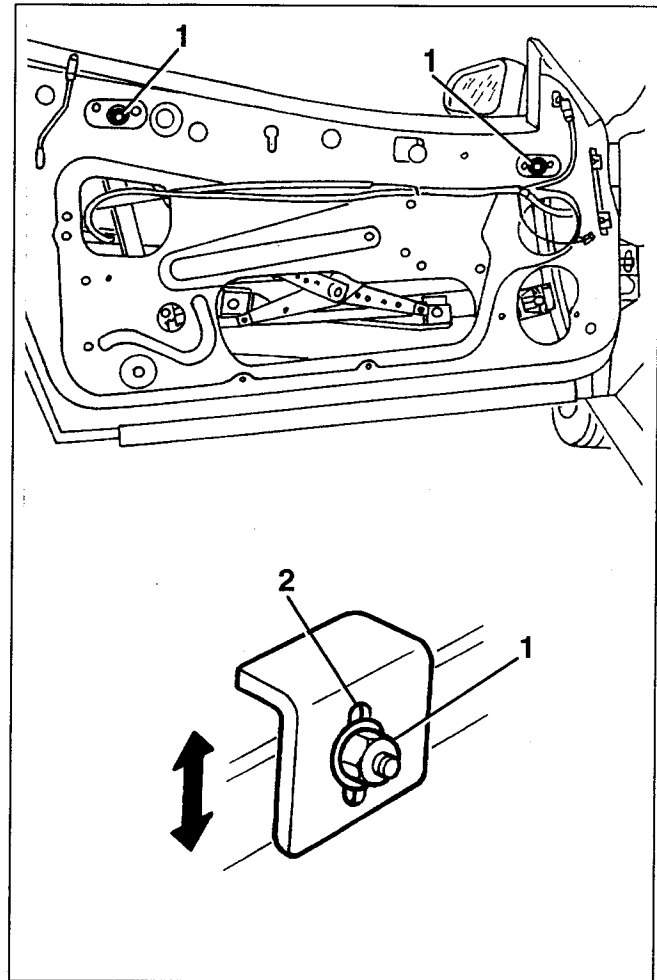
Return the window to the position of measurement with tools 1.823.030.000 (window raised).

1. Using gauge-tool 1.823.030.000, check the correct distance between the upper surface obtained on the blocks and the door surround profile.



If the correct distance is not measured in the measurement position, it is necessary to act on both window stops as follows:

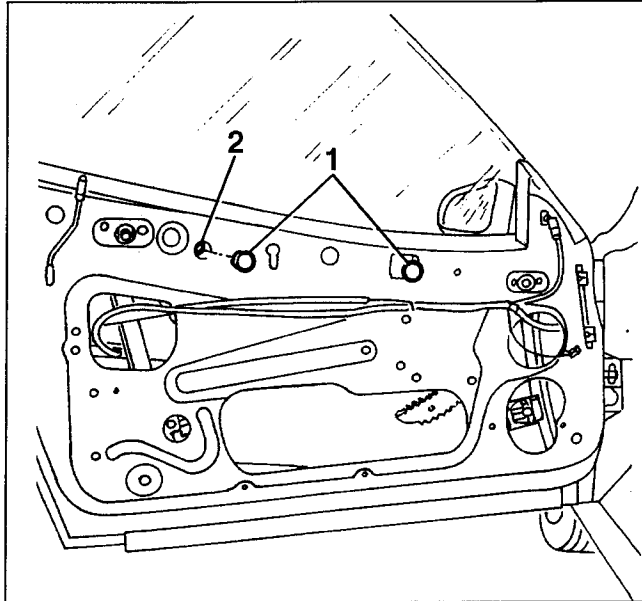
1. Slacken the nuts that lock the stops.
  2. Raise or lower the stops according to the values measured previously with the tools.
- Tighten the nuts and repeat the measurement with the tools.



Also check that when rising, the window reaches the two stops contemporaneously (if not, it is noted clearly that one stop is reached before the other).

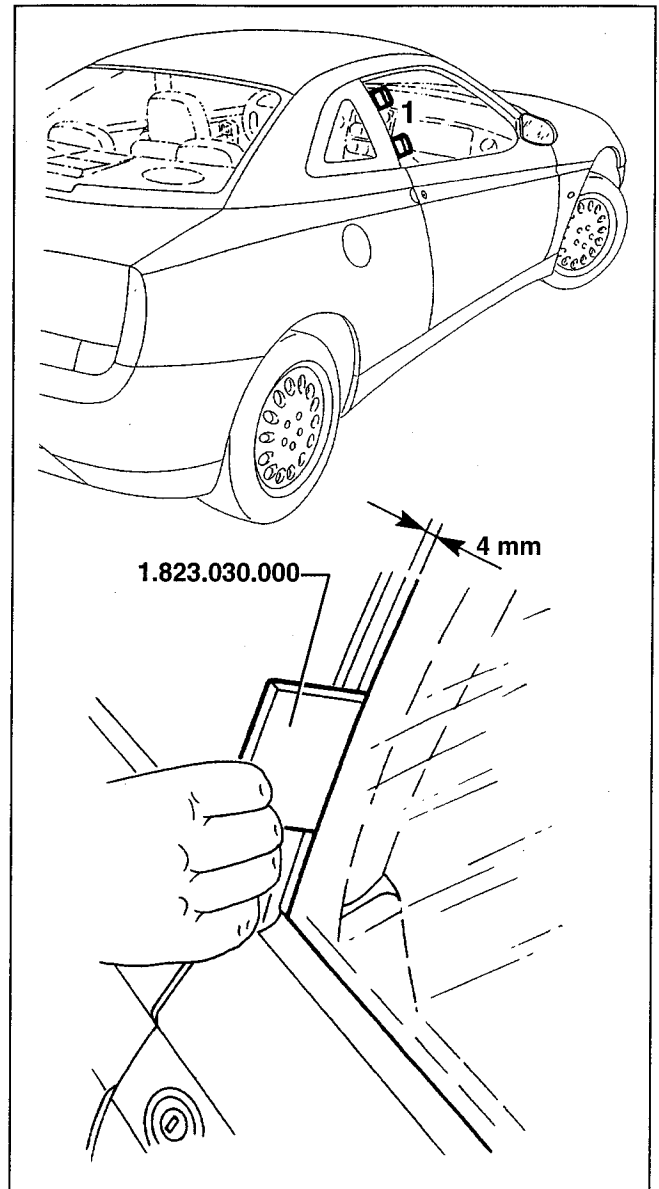
If this fails to take place, proceed as follows:

1. Keep the window in the raised position and remove the two rubber caps.
  2. Slacken the two screws which fasten the glass to the window winder device, thereby allowing the window to settle.
- Tighten the screws and repeat the check.



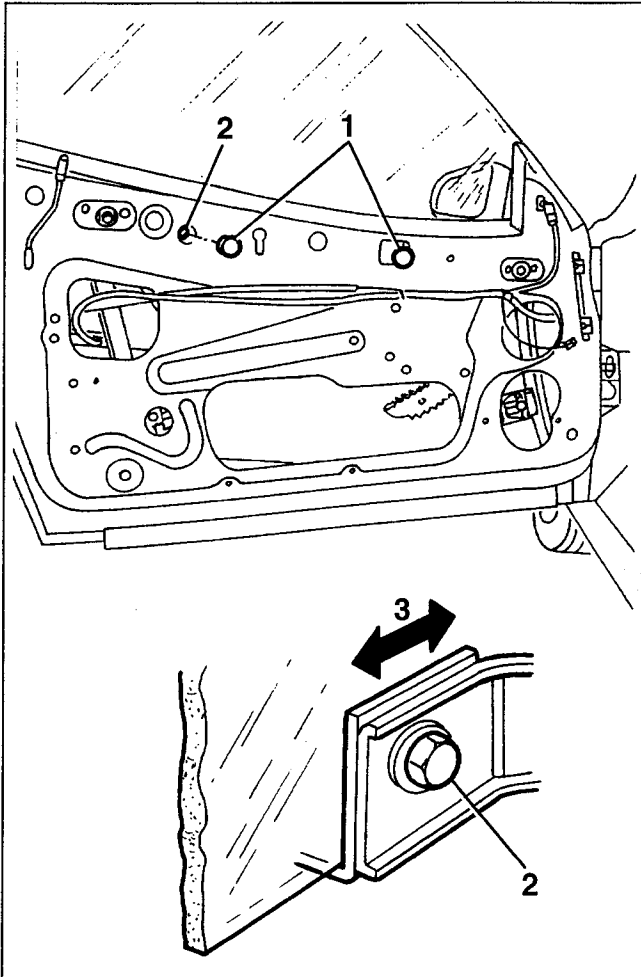
After adjustment of the window stop, take the window back to the measurement position.

1. Using gauge-tool 1.823.030.000, check the correct distance between the rear edge of the window and the profile of the fixed glass in the upper and lower areas.



If the correct distance is not found, it is necessary to act on the fastening points of the window to the window winder device, proceeding as follows:

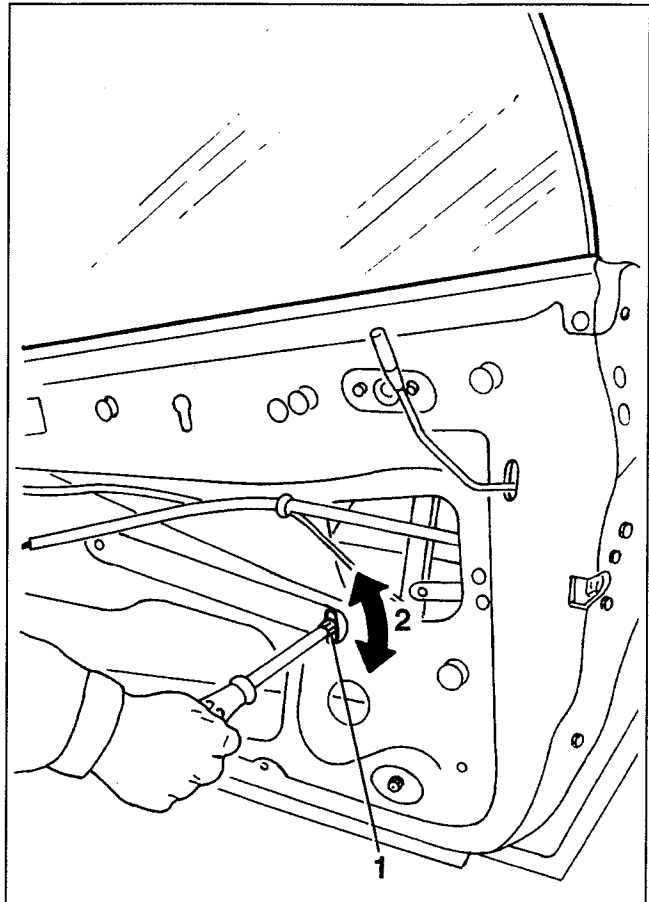
1. Keep the window in the raised position and remove the two rubber caps.
  2. Slacken the two screws that fasten the window to the winder device.
  3. Move the glass forwards or backwards depending on the measurements found with the gauge.
- Tighten the screws and repeat the measurement.



- Refit the door surround seal.
- Repeat "checks and inspections C), D) and E)" from the start of the adjustment procedure.

If these checks are still unsatisfactory and in particular if the window tends to stick when rising, failing to reach the correct position (initial checks-point E), it is possible to intervene on the window up/down trajectory as follows:

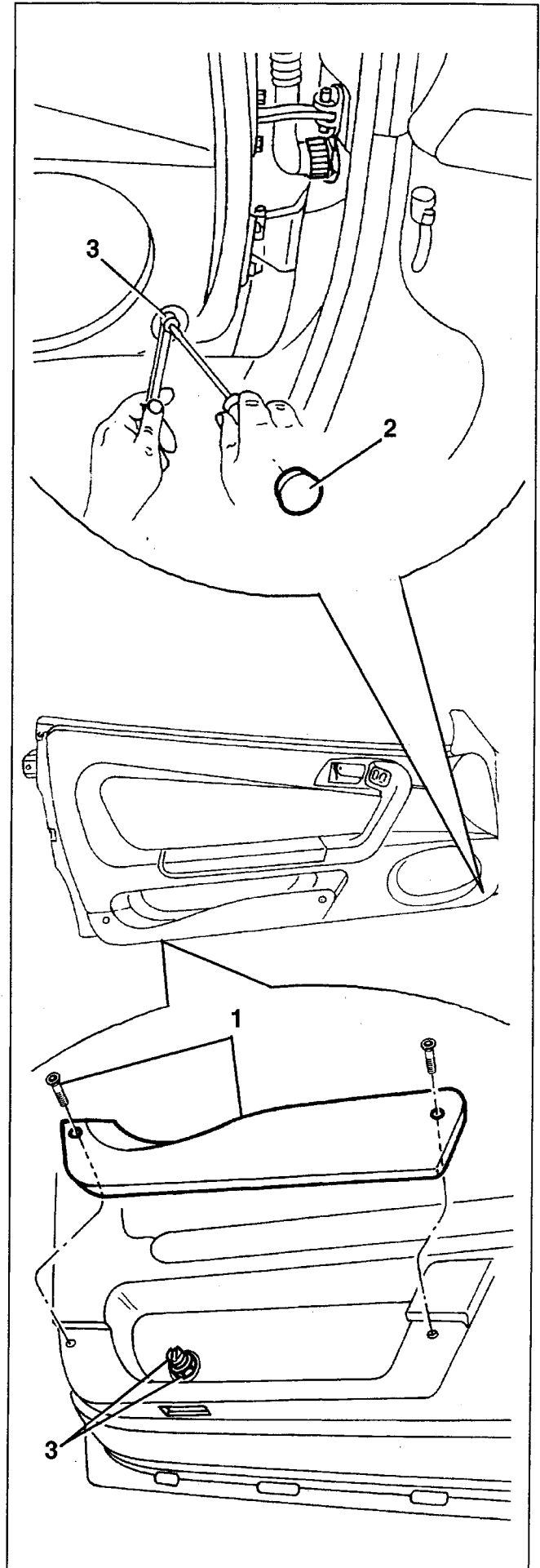
1. With the window in the raised position, slacken the adjustment screw of the window winder device.
  2. Slightly lower the window so that the screw settles along the slot.
- Retighten the screw and repeat the checks.



Upon completion of the adjustment procedure it is still possible to fine-tune the crossways position of the window working on the lower guide connection screws.

You are recommended to use these adjustment points only for small corrections, as it involves changing the nominal window positioning dimension.

1. If the door panel is fitted, slacken the two screws and remove the utility pocket, pulling it downwards.
  2. Remove the protective front cover.
  3. Slacken the lock nut and work on the adjustment screw.
- Re-tighten the lock nut and repeat the checks.



**Adjustment procedure - Spider**

For the Spider vehicle, the windows have the same adjustment points as the Gtv.

However, it is important to consider that the window must ensure tightness with the seals of the hood, which is, in turn, subject to possible adjustments.

It is not possible however to provide geometrical inspection dimensions as for the Gtv.

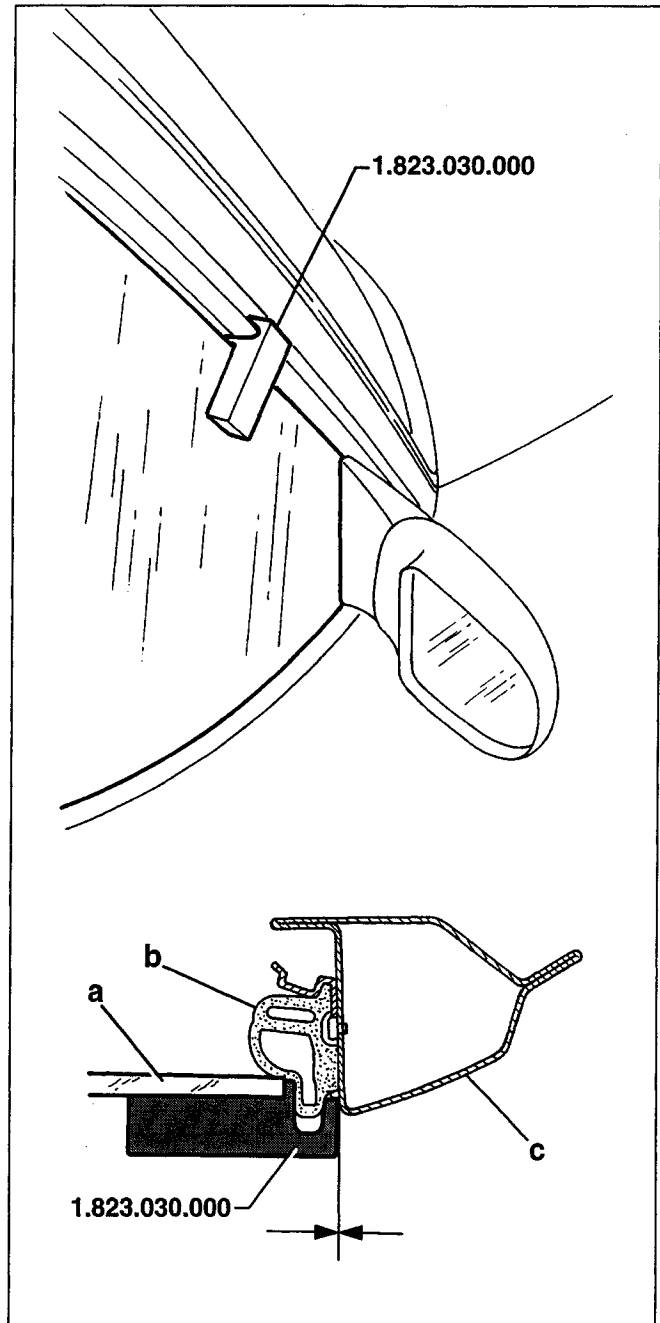
Therefore, adjustment of the window is to be carried out only for obvious malfunctions (air draughts and/or water leaks) after accurate inspection in order to locate the cause of the fault (low crossways pressure on the seals, stop in low position with respect to the hood profile, etc.).

Thus, make the most suitable correction (crossways, vertically or longitudinally) working on the corresponding adjustment points, each time verifying the effect of the correction made until reaching the best condition possible.

For the operating procedures and the consequent effects on the window, refer to the previous paragraph on adjustment for the Gtv (previous paragraph).

At all events use the special gauge of kit 1.823.030.000 to check the correct distance between the profile of the glass and the windscreen pillar.

If an optimum condition is not reached, it is necessary to consider re-positioning the hood (see Repair Manual - Group 70 - Body - Hood).



- a. Window
- b. Seal
- c. Windscreen pillar

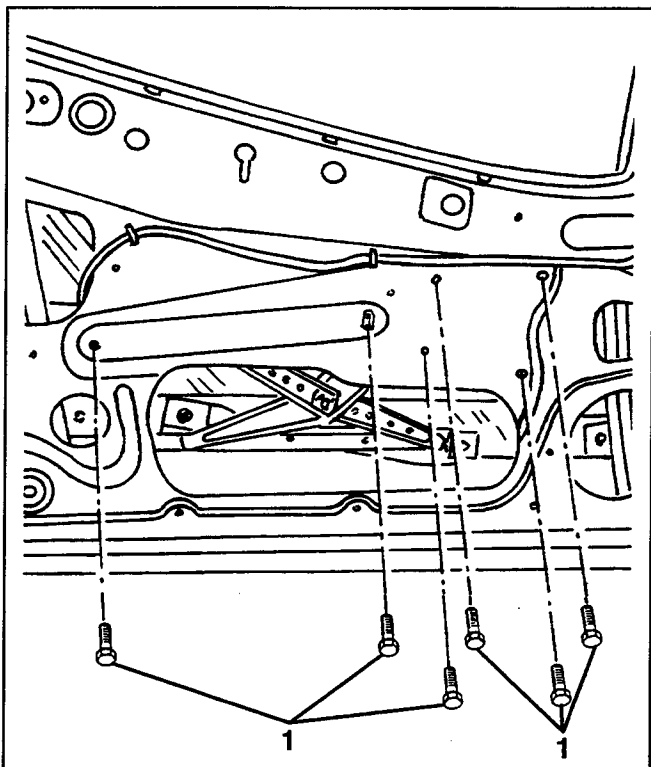


## WINDOW WINDING DEVICE

### REMOVAL/REFITTING

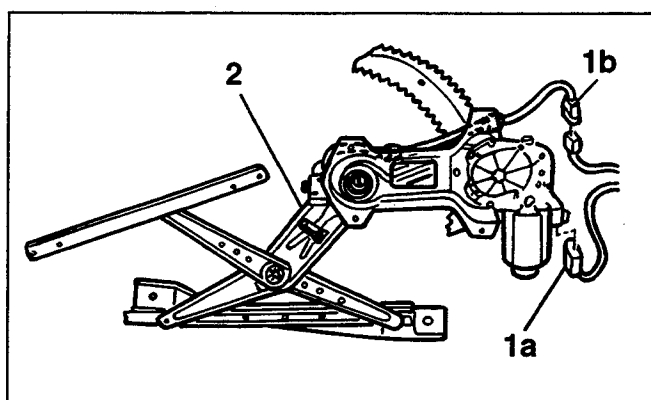
Remove the window (see specific paragraph)

1. Slacken the six screws fastening the device.



1. Disconnect electric window device electrical connection (1a) and up-down device electrical connection (1b).

2. Remove the window winding device.



Refit the window winding device reversing the sequence followed for removal.

#### NOTE:

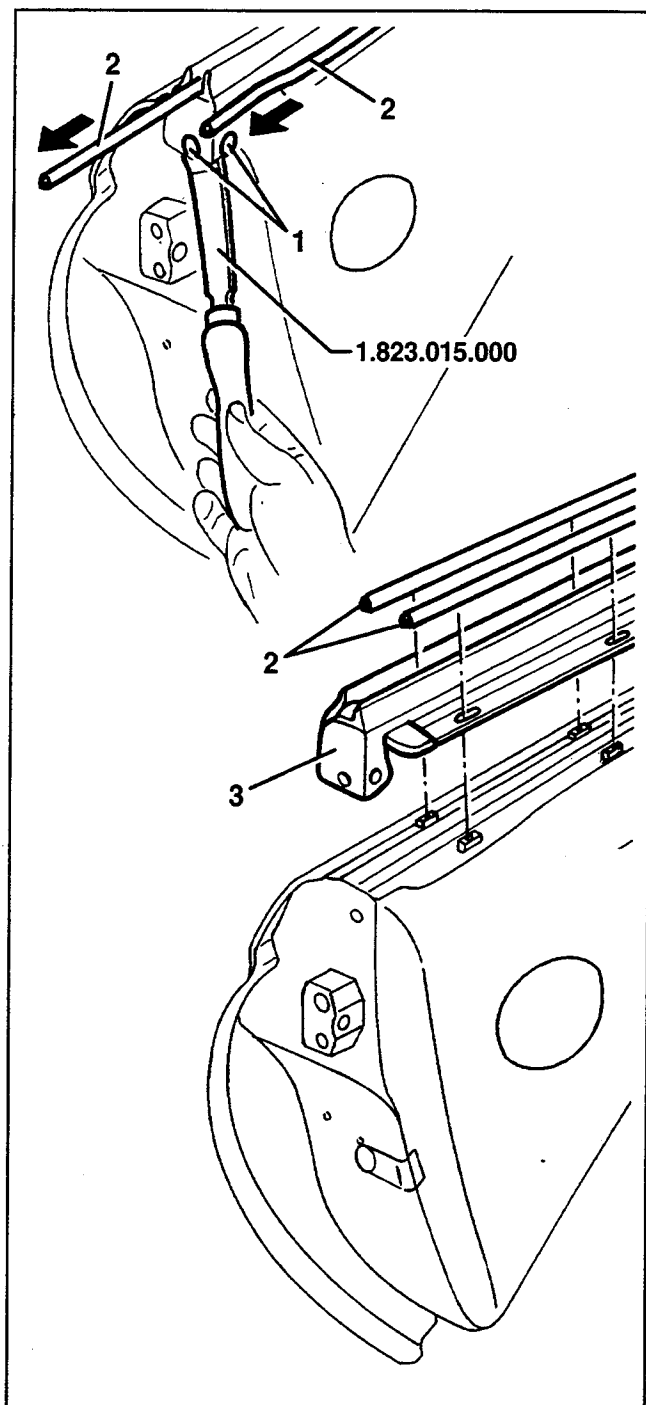
Before refitting the door interior trim and door panel, adjust the up-down device (see specific paragraph).

## WINDOW WIPER SEAL

### REMOVAL/REFITTING

– Remove the door panel (see specific paragraph)

1. Using tool 1.823.015.000 remove the two fastening buttons.
2. Withdraw the retainer moulding.
3. Retrieve the seal.



When refitting, press the retainer moulding onto the catches.

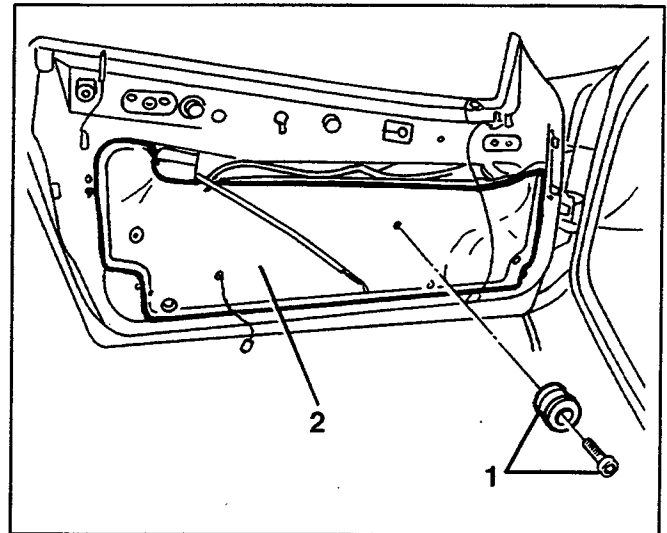
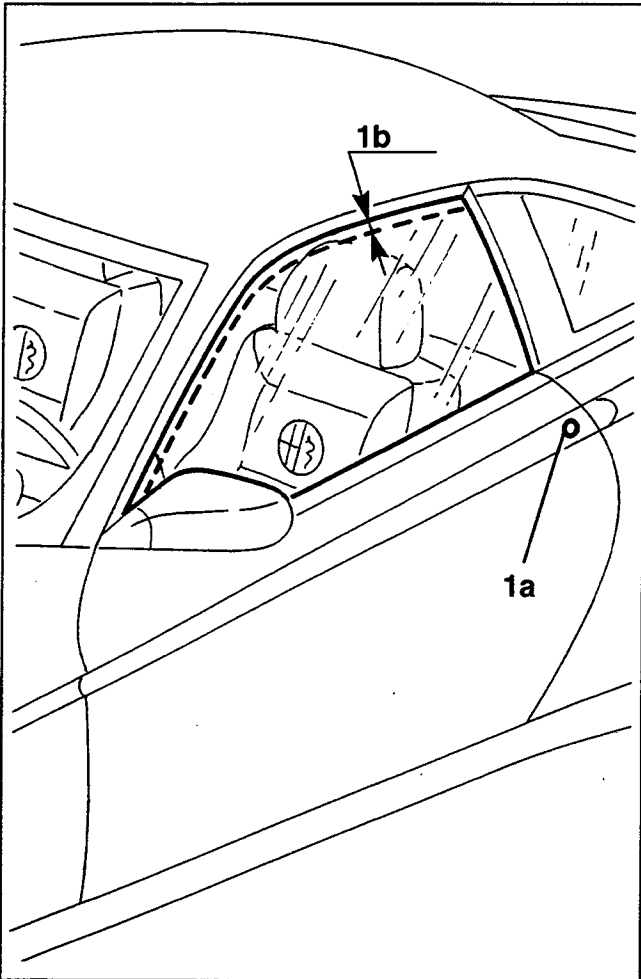
## UP-DOWN DEVICE

### CHECK E ADJUSTMENT

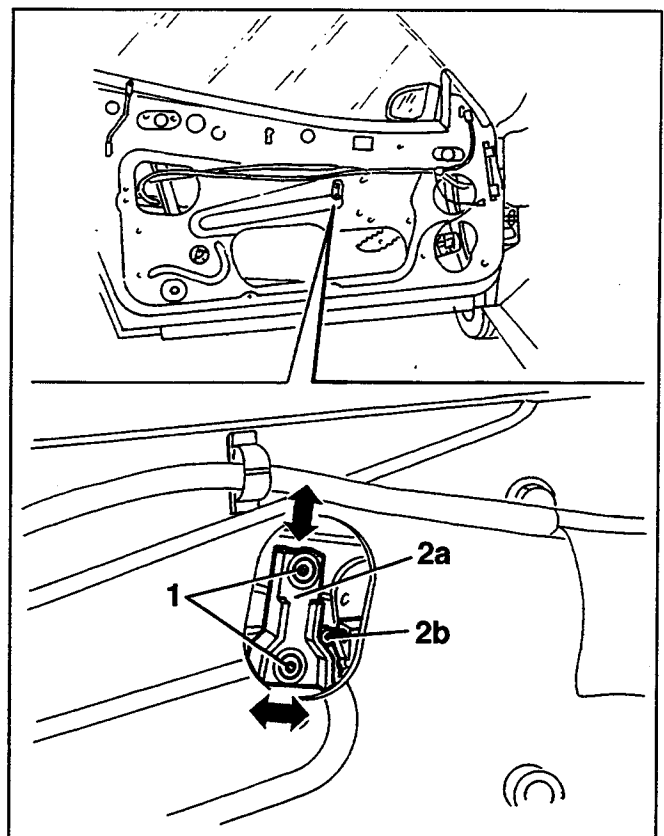
– Adjust the glass if necessary (see specific paragraph)

1. Starting with the door closed and the window fully raised, press catch button (1a) and ensure that the window lowers (1b) (due to the up-down device) by 4 mm.

If not, adjust as described below.



1. Loosen the cam retaining bolts.
  2. Adjust the position of cam (2a) in relation to microswitch (2b) until the above condition is achieved (window lowered by 4mm during door opening). The arrows indicate possible movements.
- Tighten bolts (1).



– Refit the water protections and door panel (see specific paragraph).

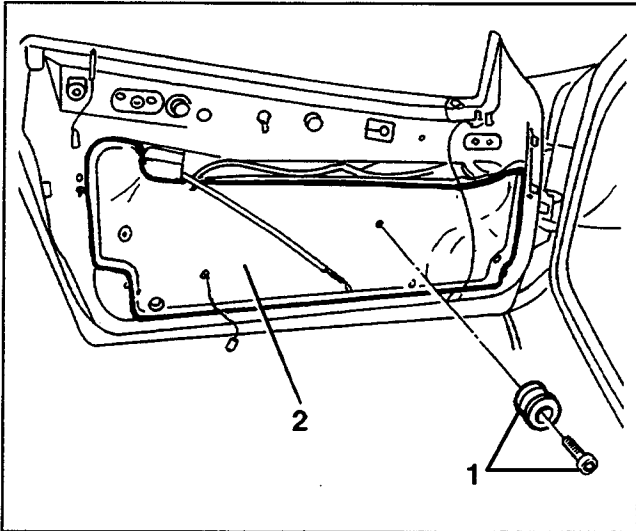
– Remove the door panel (see specific paragraph).

1. Unscrew the bolt and remove the central panel anchorage pin.
2. Remove the interior trim, taking care to avoid damaging it.

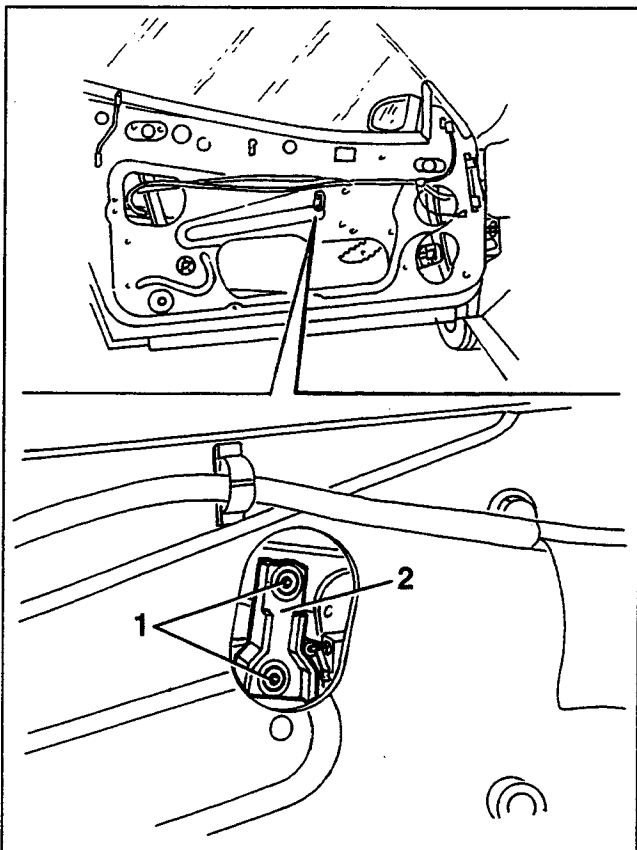
**UP-DOWN DEVICE CAM**

**REMOVAL**

- Remove the door panel (see specific paragraph)
- 1. Unscrew the bolt and remove the central panel anchorage pin
- 2. Remove the interior trim, taking care to avoid damaging it.

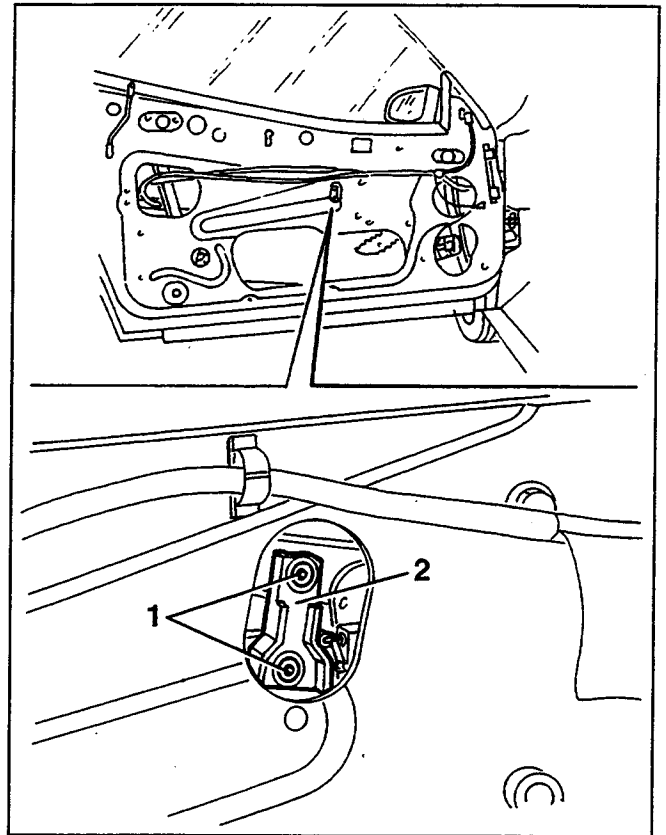


- 1. Unscrew the cam retaining bolt.
- 2. Remove the up-down device cam



**REFITTING**

- 1. Fit the cam in its seat.
- 2. Screw in the bolts without tightening.

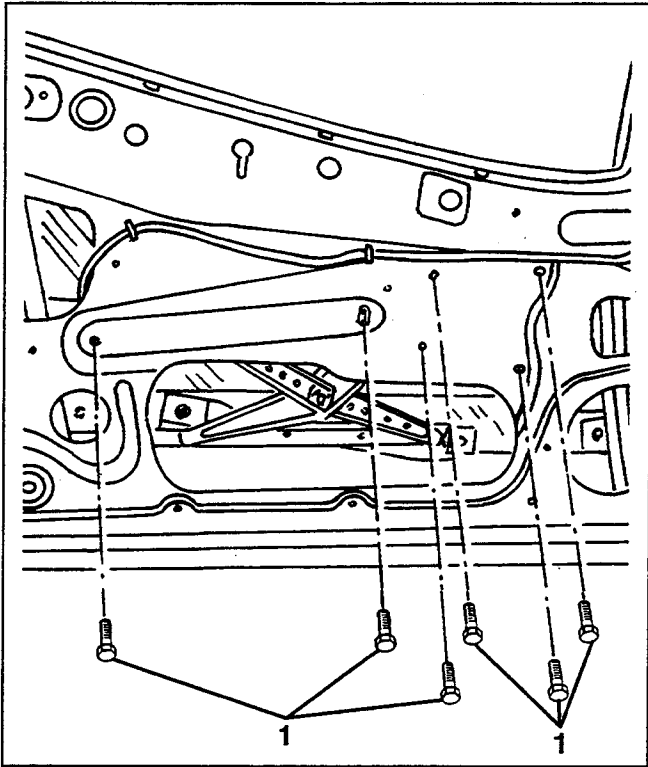


- Adjust the up-down device (see specific paragraph).
- Refit the interior trim and door panel by carrying out removal instructions in reverse order.

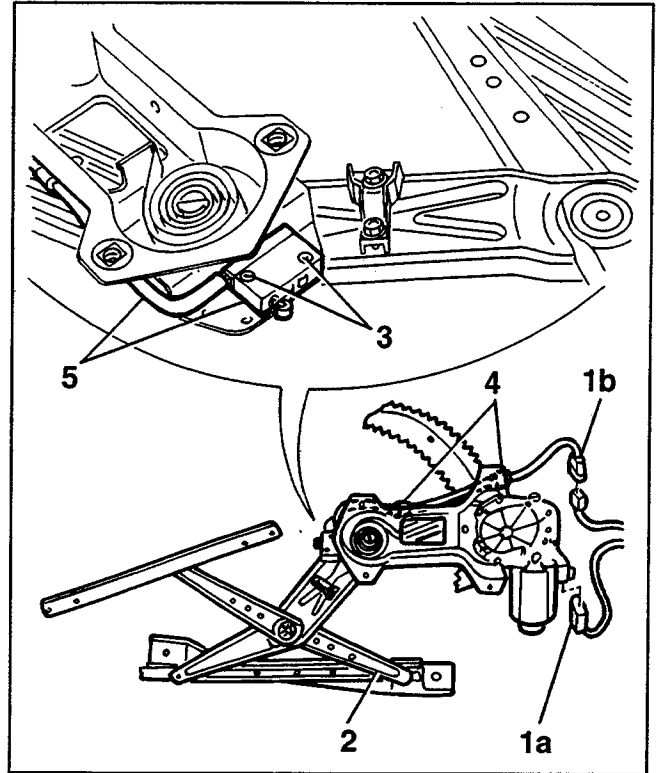
## UP-DOWN DEVICE MICROSWITCH REMOVING/REFITTING

– Remove the window (see specific paragraph)

1. Unscrew the six bolts securing the electric window device.



1. Disconnect electric window device electrical connection (1a) and up-down device electrical connection (1b).
2. Recover the electric window device.
3. Drill out the microswitch retaining rivets.
4. Undo the retaining clips.
5. Remove the microswitch with wiring



– Refit by carrying out removal instructions in reverse order.

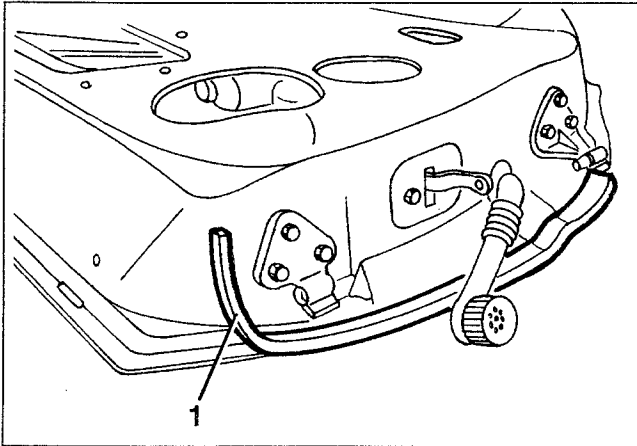
### NOTE:

Before refitting the door interior trim and door panel, adjust the up-down device (see specific paragraph).

**FRONT WIND SEAL****REMOVAL/REFITTING**

– Remove the complete door (see specific paragraph).

1. Remove the seal on the front edge of the door.

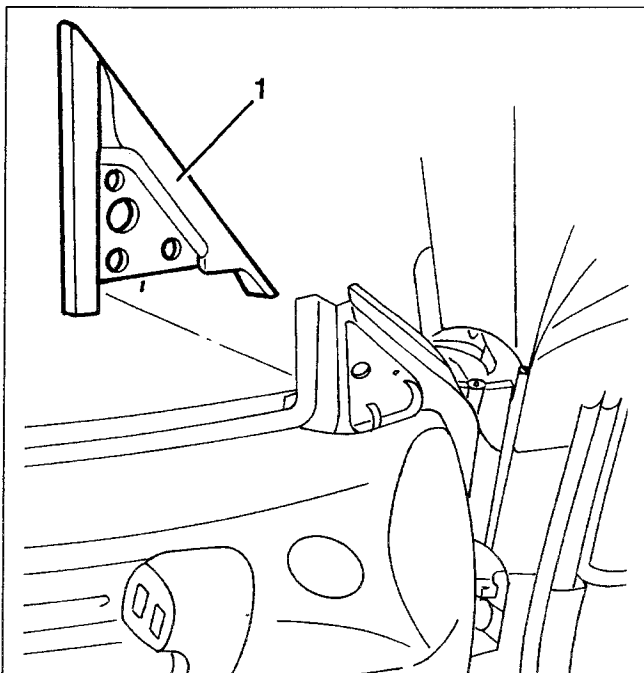


When refitting reverse the sequence followed for removal. Clean and degrease the contact surface and make sure that the bi-adhesive of the seal adheres perfectly.

**MIRROR TRIANGLE SEAL**

– Remove the door mirror (see specific paragraph)

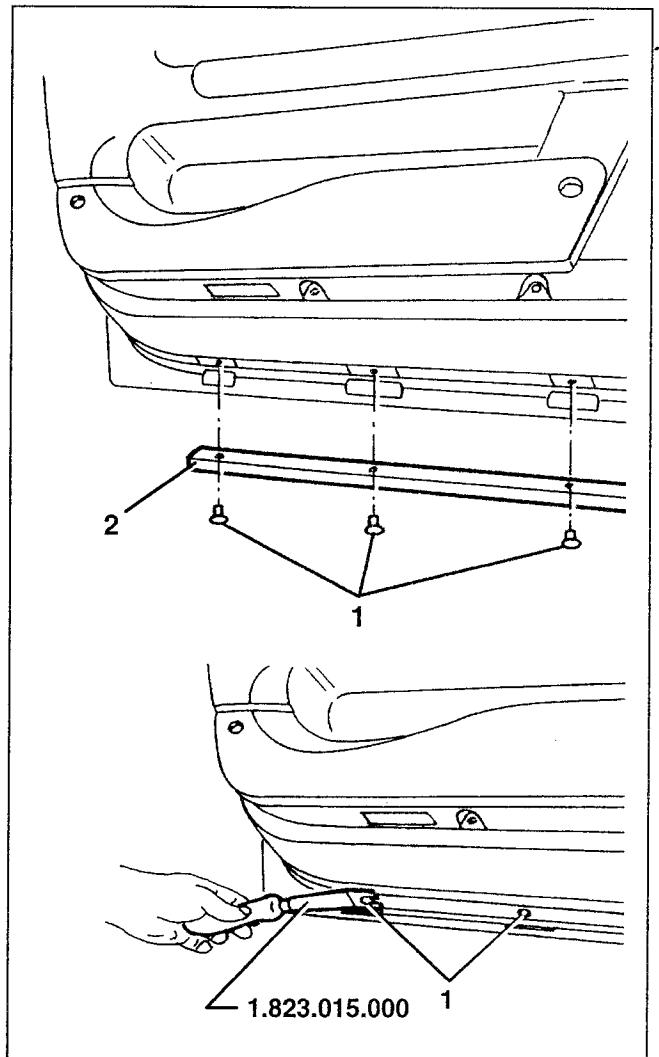
1. Remove the seal and detach the front bi-adhesive side.



Refit the seal reversing the procedure followed for removal.

**DOOR LOWER MOULDING**

1. Using tool 1.823.015.000 remove the five fastening plugs.
2. Retrieve the seal.

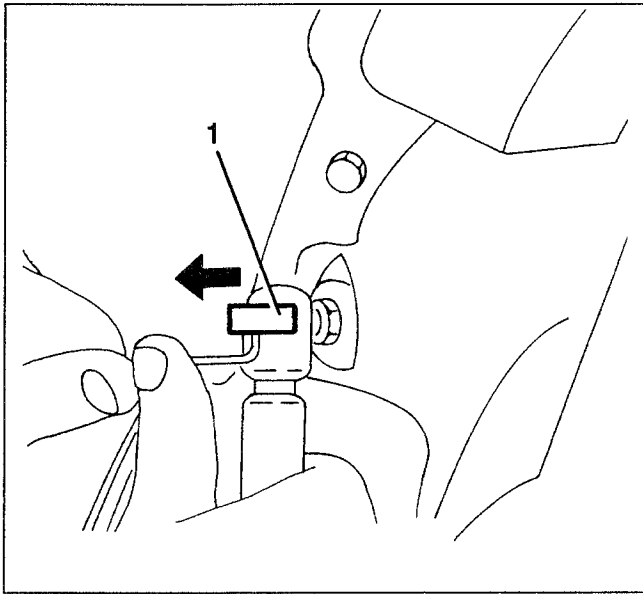


Refit the seal reversing the procedure followed for removal.

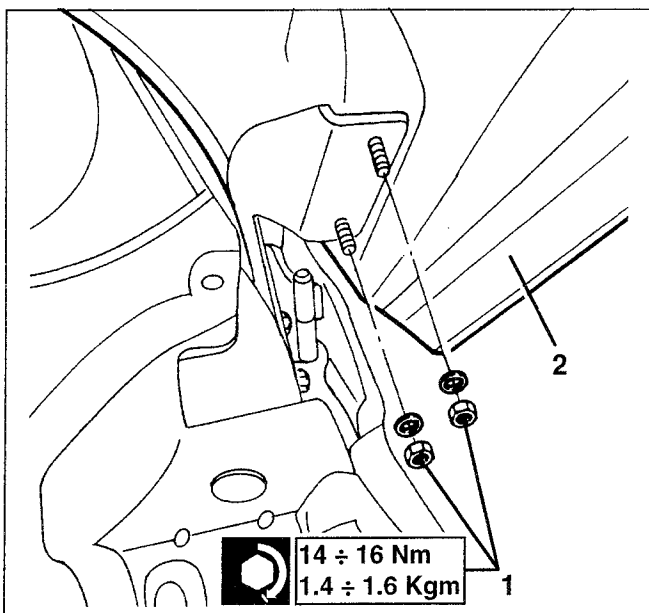
**BONNET****COMPLETE BONNET****REMOVAL/REFITTING****CAUTION:**

During removal (or refitting) avoid damaging the paintwork.

- Support the bonnet appropriately.
- 1. Open the retainer clips and disconnect the heads of the telescopic props from the ball pins.



1. Slacken the two nuts fastening the bonnet to each hinge
2. Remove the bonnet.



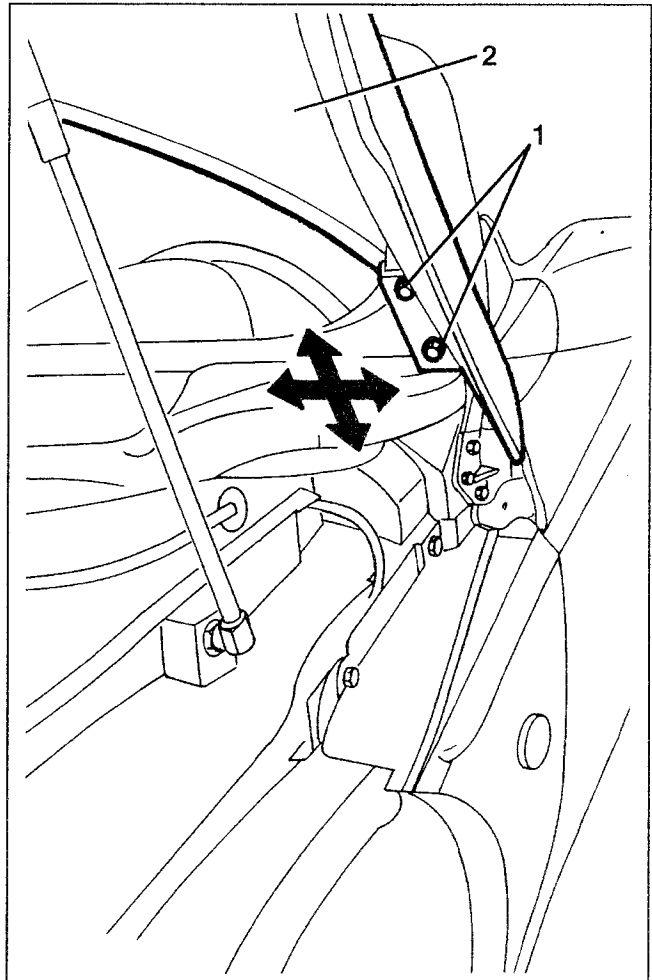
Refit the bonnet reversing the sequence followed for removal. Adjust the position of the bonnet.

**ADJUSTMENT**

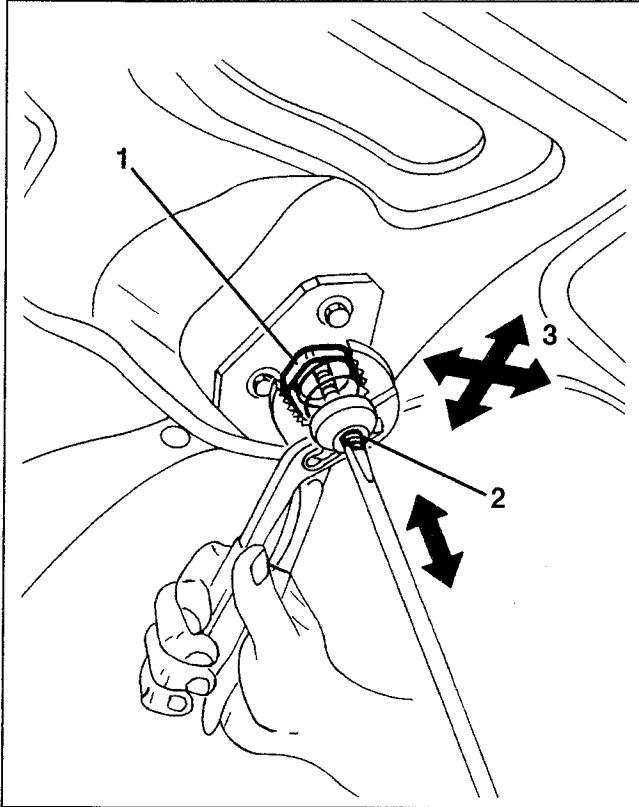
**NOTE:** The position of the bonnet should be adjusted together with that of the bumpers (see specific paragraph).

Should it be necessary to adjust the position of the bonnet, firstly act on the bonnet fastening screws. If this is not sufficient, work on the upper door-bonnet hinges (see specific paragraph).

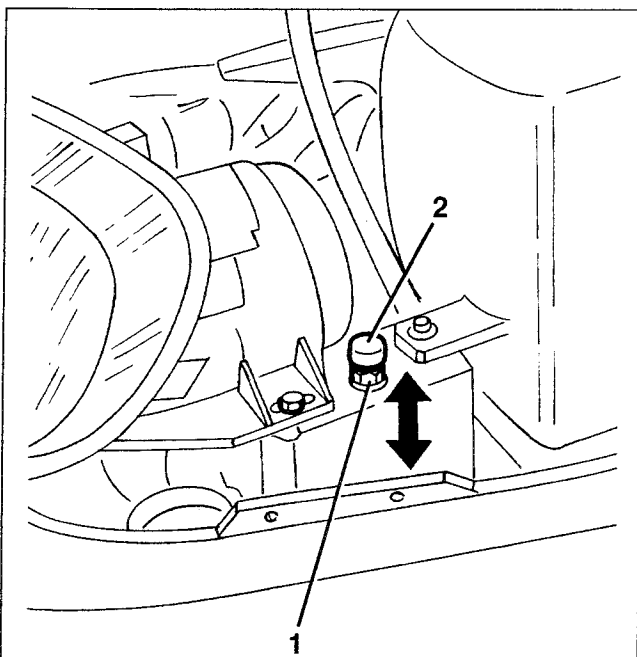
1. Loosen the bonnet fastening screws, on both sides.
  2. Change the position of the bonnet.
- Tighten the screws



1. Loosen the locking of each of the adjustment pins.
2. Slacken or tighten the adjustment pin, for bonnet height adjustment.
3. Move the adjustment pin for horizontal adjustment.
  - Tighten the adjustment pin locking, after making sure that the bonnet is correctly positioned.

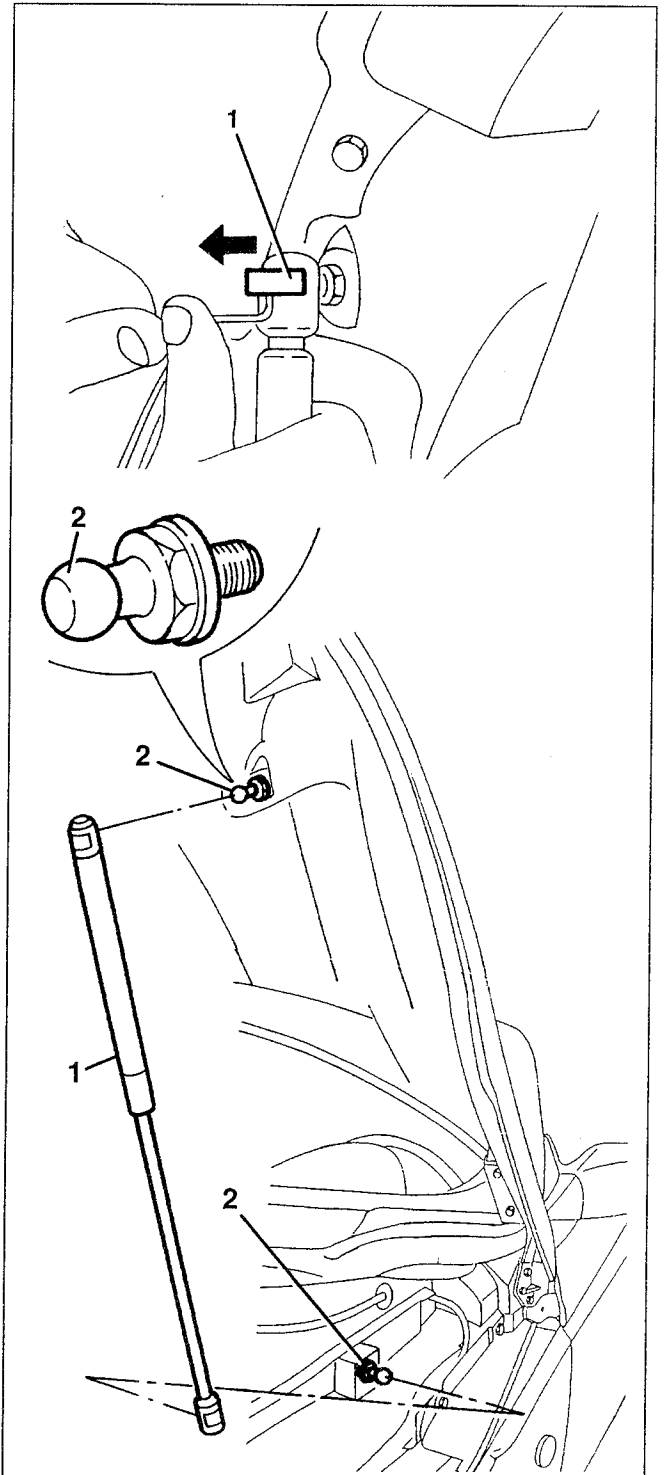


1. Loosen the pad locking nut.
2. Slacken or tighten the pad by hand depending on necessity; tighten the locking nut.



## TELESCOPIC PROPS REMOVAL/REFITTING

1. Open the bonnet, support it appropriately, then open the clamps and remove the prop releasing it from the fastening pins.
2. If necessary slacken and remove the two ball pins.



Refit reversing the sequence followed for removal.

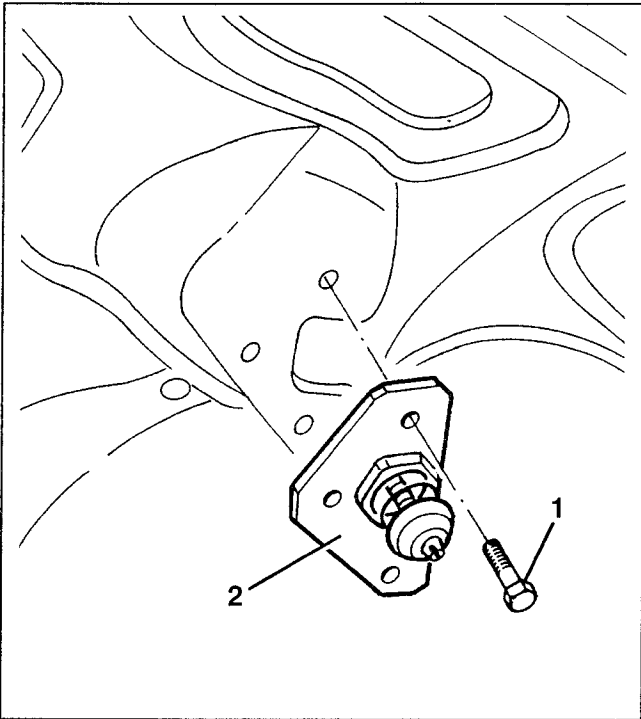
**BONNET CLOSING DEVICE**

**REMOVAL/REFITTING**

There are two bonnet closing pins on the front of the bonnet itself.

One of the pins supports the safety device with release catch.

1. Slacken the three screws
2. Remove the complete bracket.

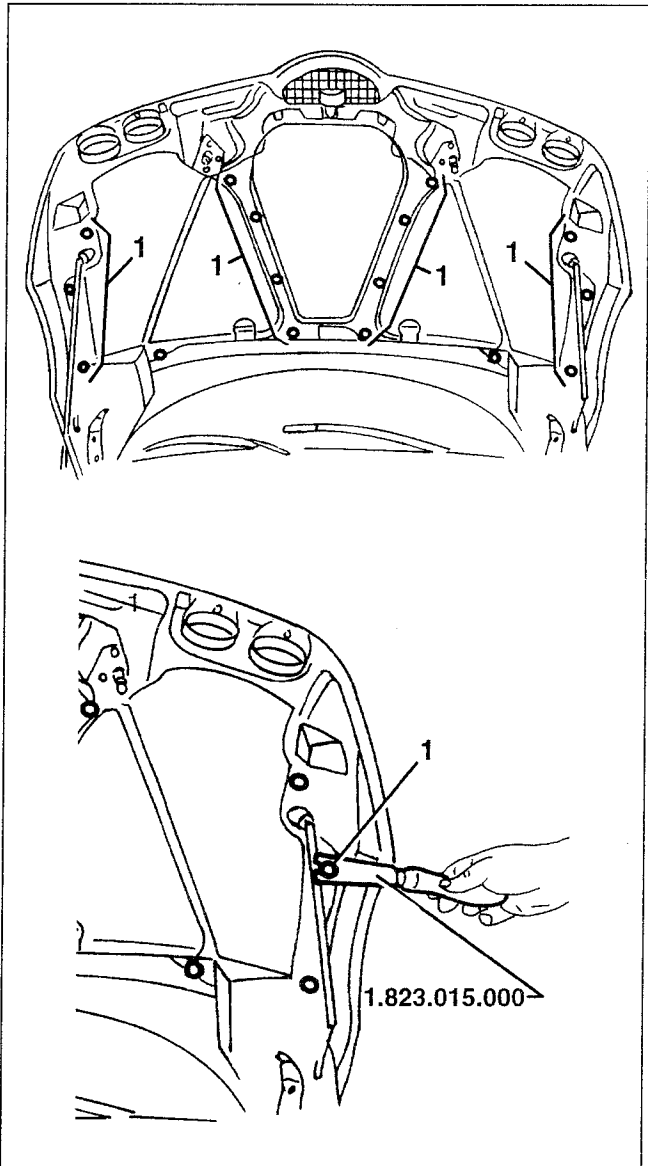


Refit reversing the sequence followed for removal. Adjust the position of the bonnet (see specific paragraph).

**BONNET INNER COVER**

**REMOVAL/REFITTING**

1. Using tool 1.823.015.000 remove the plastic nails fastening the inner cover.
2. Remove the inner cover.



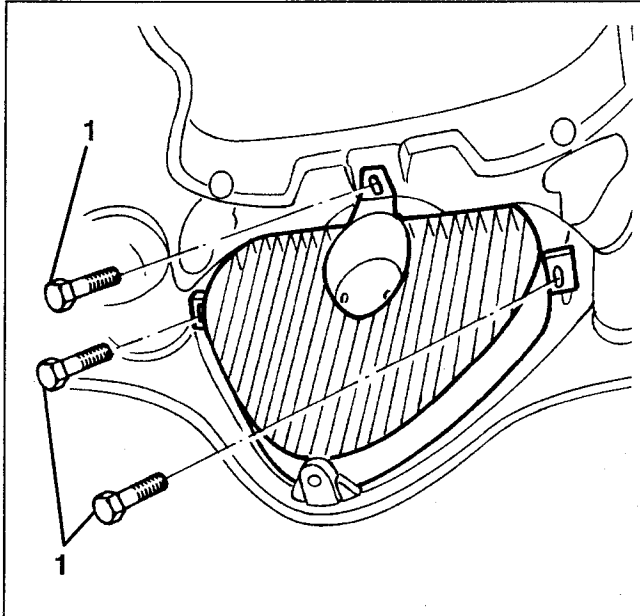
Refit the inner cover reversing the sequence followed for removal.



**SHIELD**

**REMOVAL/REFITTING**

1. Working from inside, slacken the three screws.
2. Remove the shield, from the outside.

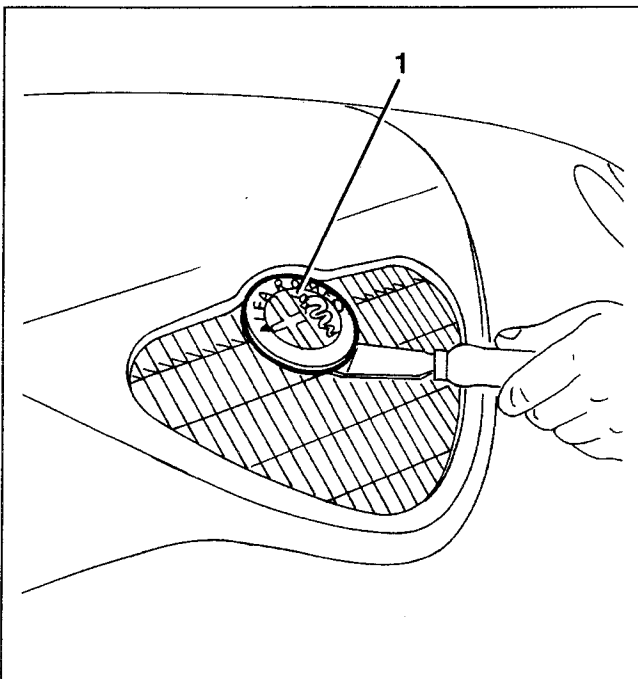


Refit reversing the sequence followed for removal.

**FRONT TRADEMARK**

**REPLACEMENT**

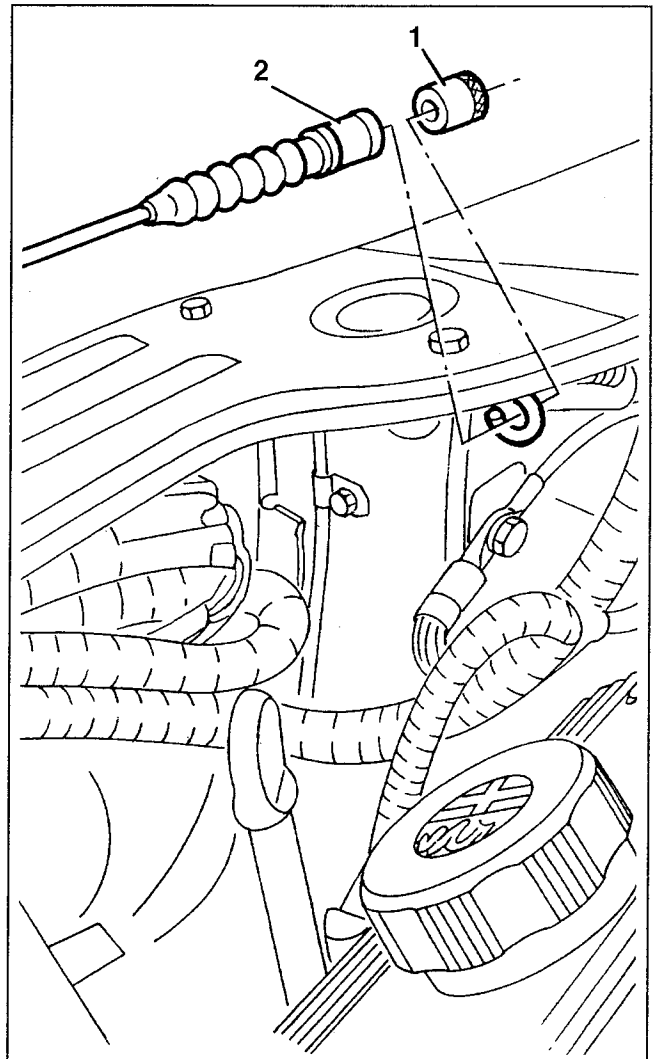
1. Using tool 1.823.014.000 remove the trademark.



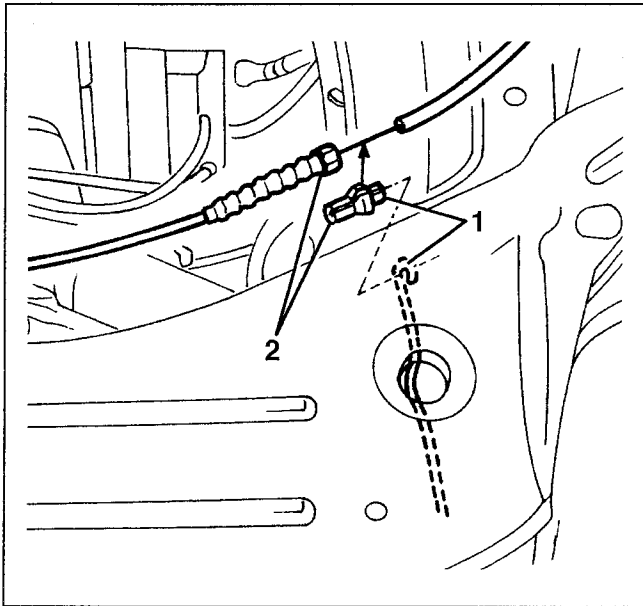
**BONNET OPENING CONTROL CABLE**

**REPLACEMENT**

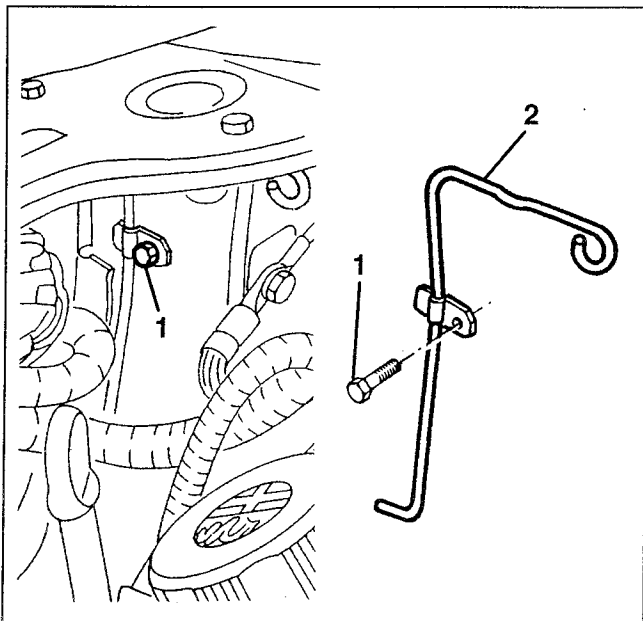
1. Working from the engine compartment, slacken the end bushing of the cable.
2. Withdraw the cable from the eyelet of the locking lever.



1. Release the intermediate bush from the eyelet of the clamping lever.
2. Release the bushing from the cable.

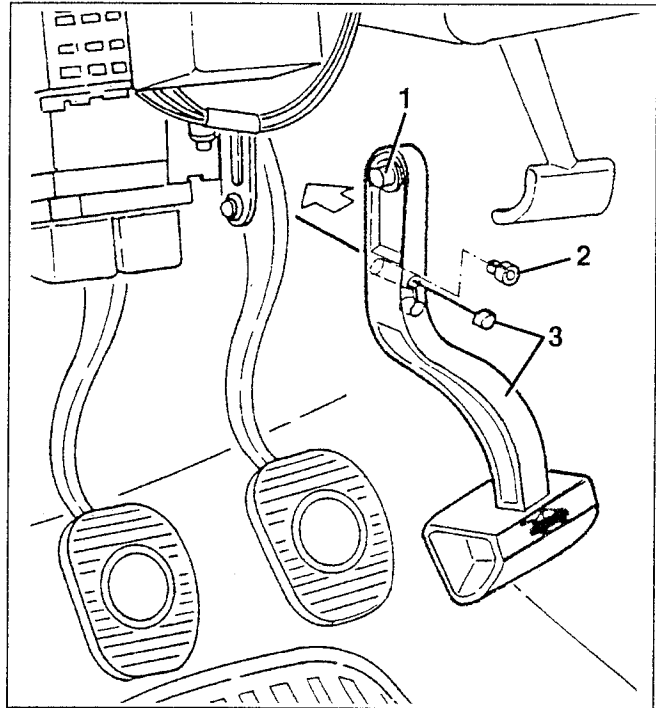


1. If necessary, slacken the screw.
2. Remove the bonnet locking lever.
  - Remove all the components in the engine compartment that prevent access to the bonnet opening control cable. Release the sheath from the fastening clamps.
  - Working in the passenger compartment, remove the underdash panels on the driver's side (see specific paragraph).

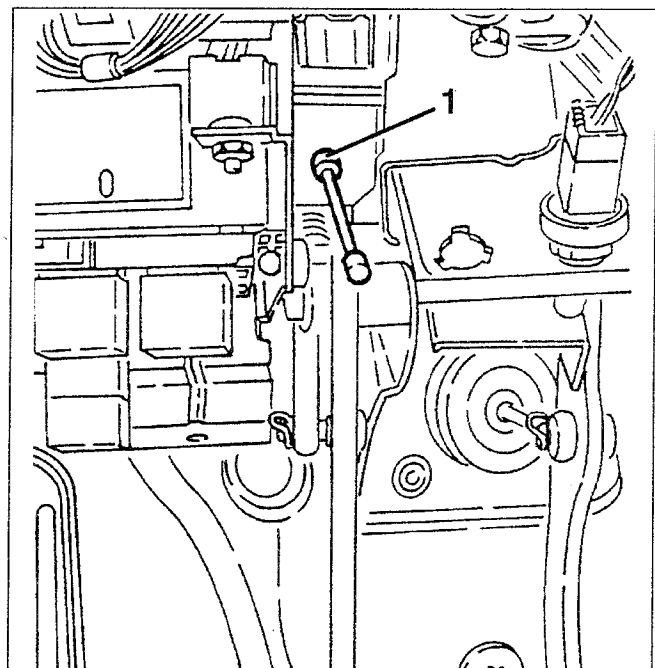


## REPLACEMENT

1. Release the bonnet opening handle from its fulcrum.
2. Remove the plug.
3. Withdraw the bonnet opening control cable pawl from the handle, then remove the handle.

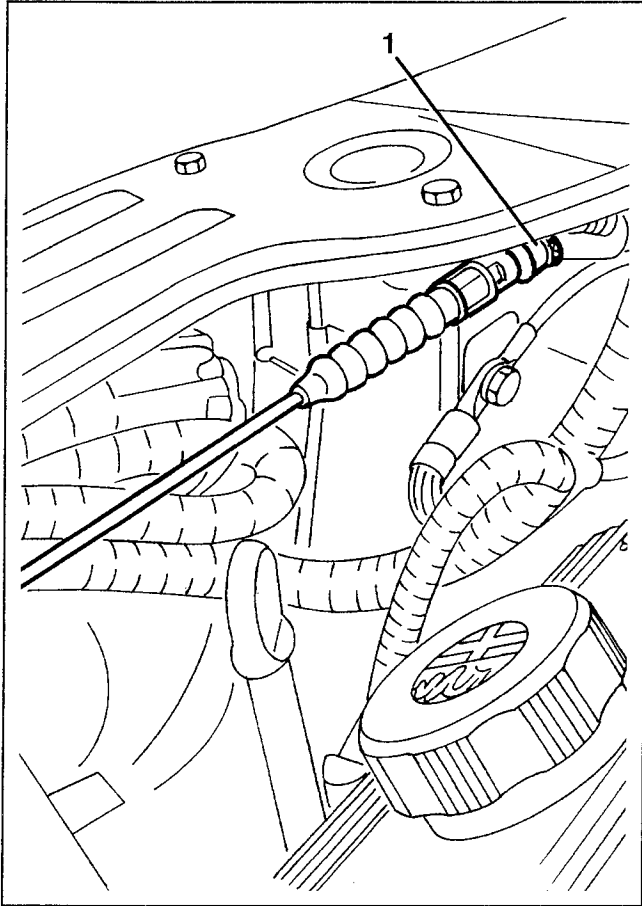


1. Using a pincer remove the control cable from the fastening bracket.
  - Tie a wire on the end of the control cable on the passenger compartment side to facilitate its retrieval.
  - Refit a new bonnet opening control cable reversing the sequence followed for removal and adjust as described below.



### ADJUSTMENT

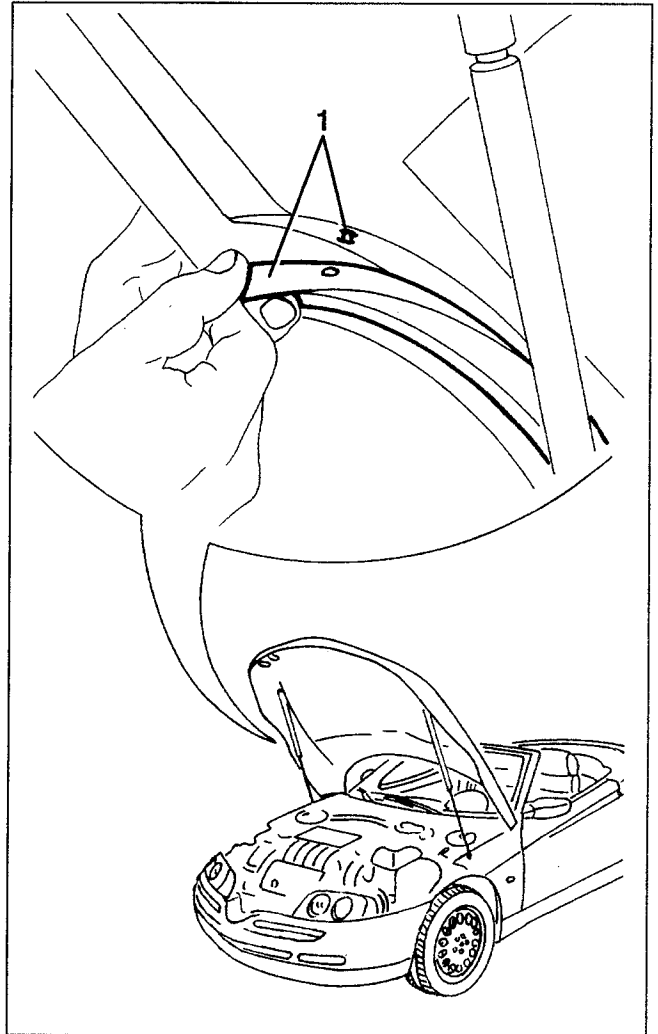
1. Working from the engine compartment adjust the tension of the bonnet opening control cable working by hand on the special bushes. Check that the bonnet opens and shuts correctly.



### WHEEL ARCH LINER

#### REMOVAL/REFITTING

- Open the bonnet.
- 1. Remove the liner from the retainer pins.



## BOOT

### COMPLETE SPIDER BOOT LID

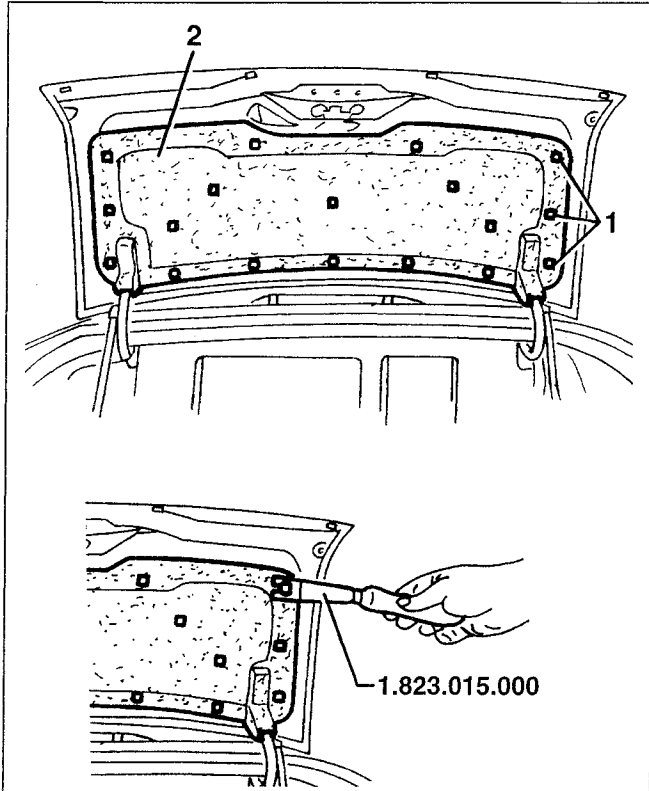
#### REMOVAL/REFITTING

**WARNING:**

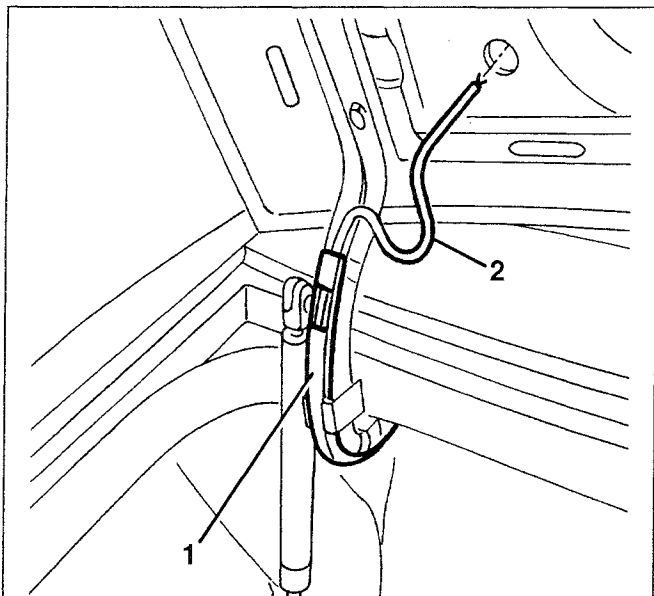
During removal (or refitting) avoid damaging the paintwork.

– Open the boot and the battery.

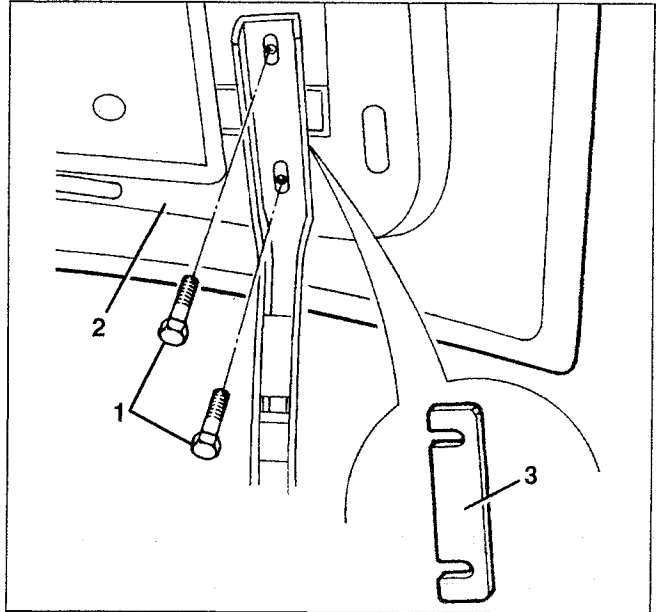
1. Using tool **1.823.015.000** remove the plastic buttons fastening the inner trim.
2. Remove the inner trim.



1. Remove the cable container channels.
2. Disconnect the wiring from the lock unit and release it from the bonnet.



1. Slacken the two screws fastening the bonnet to the hinges at each side.
2. Remove the bonnet lid.
3. Retrieve any shims.

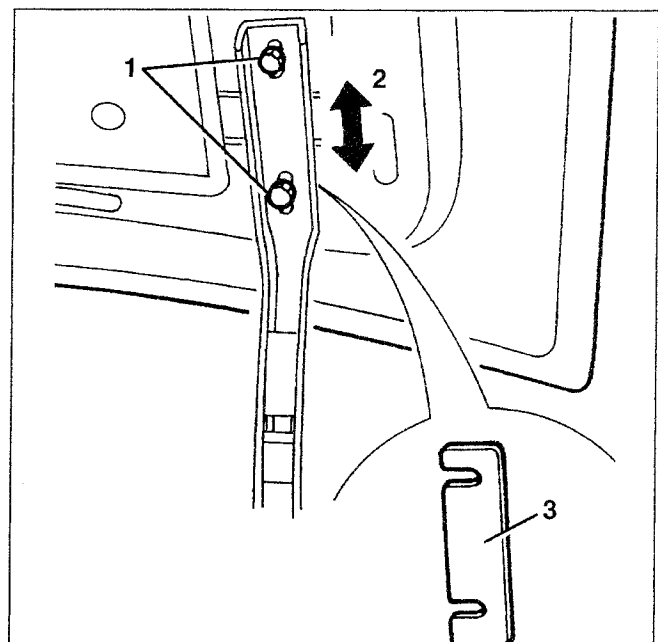


Refit the bonnet reversing the sequence followed for removal. Adjust the bonnet position.

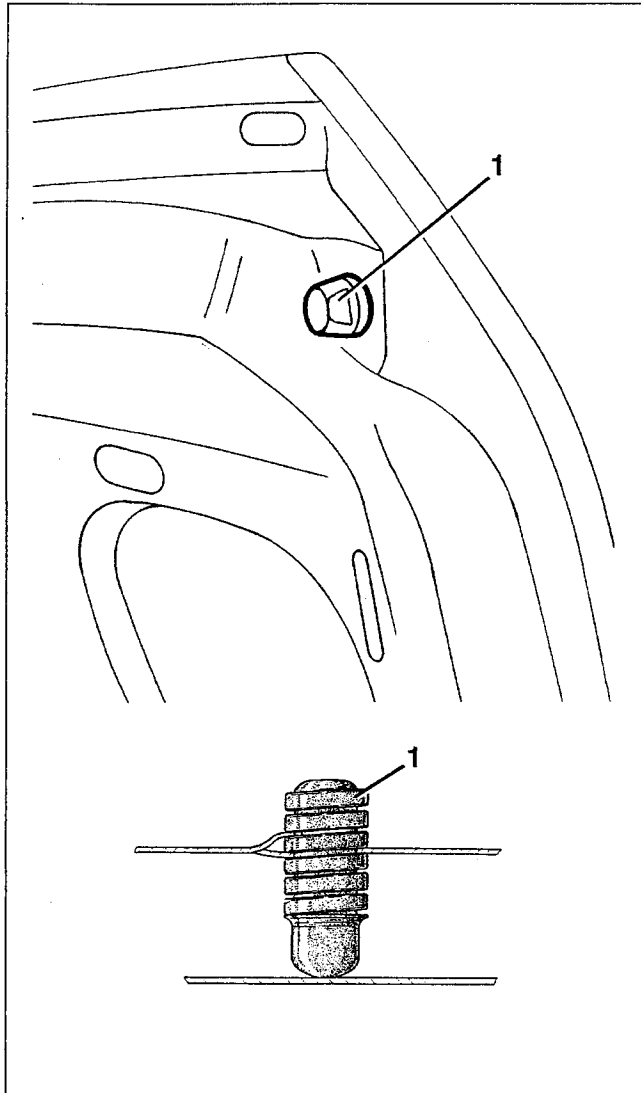
#### ADJUSTMENT

Check the correct mating between the boot lid and the body and, if necessary, proceed as follows.

1. Loosen the screws fastening the boot lid to the hinges.
  2. Adjust the longitudinal position of the boot lid.
  3. If necessary, increase or reduce the shims for adjusting the boot lid in height in the hinges area.
- Tighten the screws.



1. Loosen or tighten the buffers by hand, depending on necessity, to adjust the height of the boot lid in the rear area



If necessary, adjust the lock striker (see specific paragraph).

## GTV COMPLETE BOOT LID

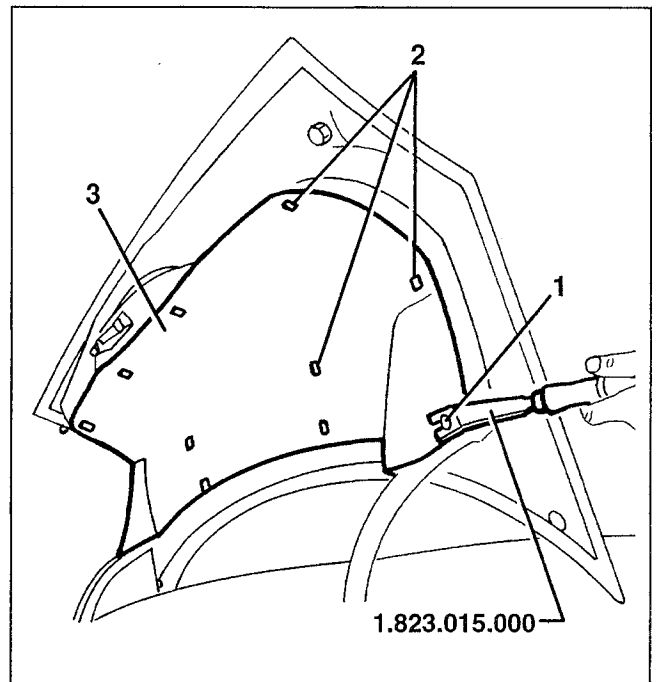
### REMOVAL/REFITTING

**WARNING:**

During removal (or refitting) avoid damaging the paintwork.

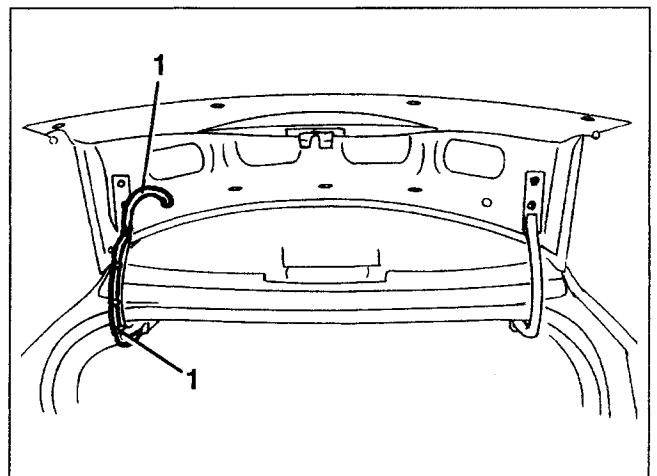
- Disconnect the battery.

1. Using tool 1.823.015.000 remove the two side plastic nails fastening the inner trim.
2. In the same way remove the plastic nails in the centre area of the trim.
3. Remove the inner trim.

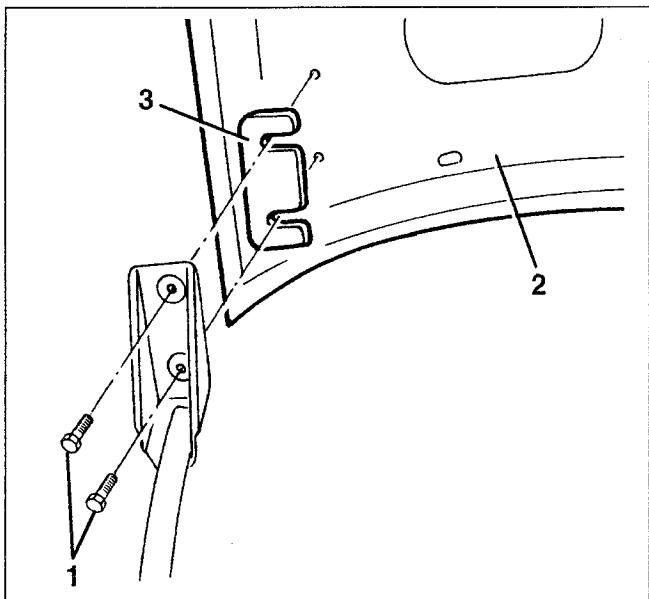


- Disconnect the wiring from the lock unit.

1. Cut the clamps and release the wiring from the boot.



1. Slacken the two screws fastening the bonnet to the hinges on each side.
2. Remove the boot lid.
3. Retrieve any shims.

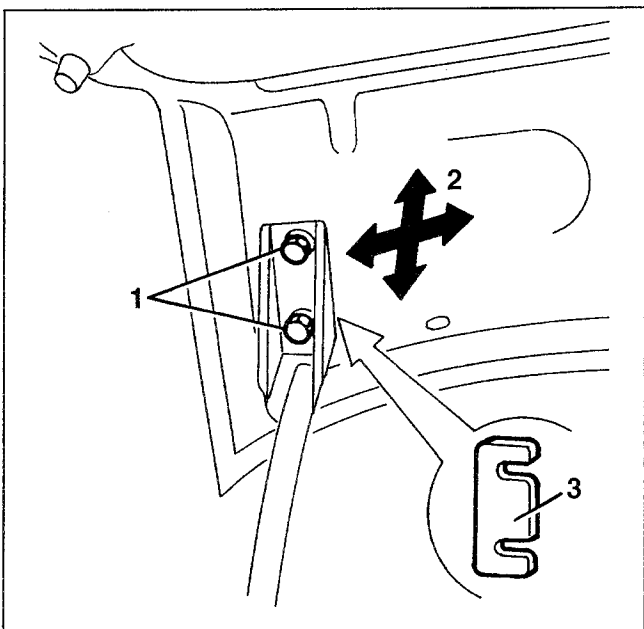


Refit the boot lid reversing the sequence followed for removal. Adjust the bonnet position.

### ADJUSTMENT

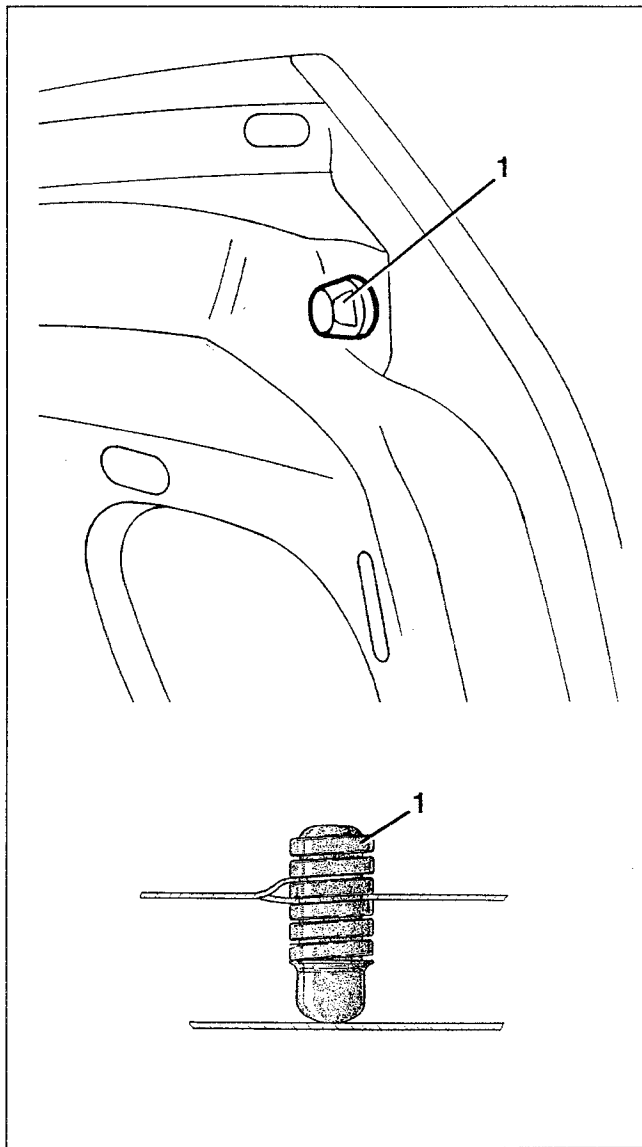
Check the correct mating between the boot lid and the body and, if necessary, proceed as follows.

1. Loosen the screws fastening the boot lid to the hinges.
2. Adjust the longitudinal or transversal position of the boot lid.
3. If necessary, increase or reduce the shims for adjusting the boot lid in height in the hinges area.



1. Tighten or loosen the buffers by hand, according to necessity, to adjust the height of the boot lid in the rear area.

If necessary, adjust the lock striker (see specific paragraph).



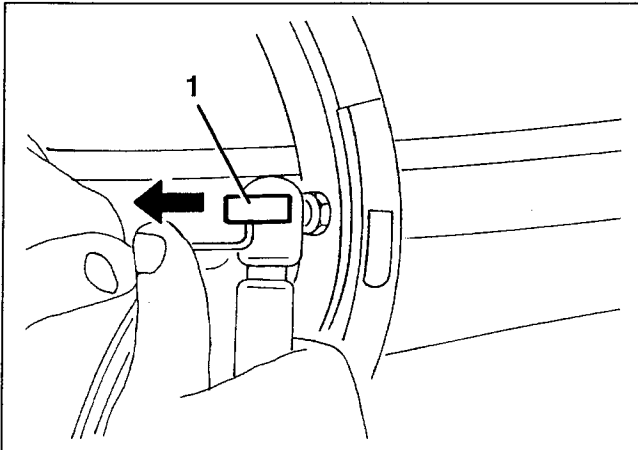
**TELESCOPIC PROPS**

**REMOVAL/REFITTING**

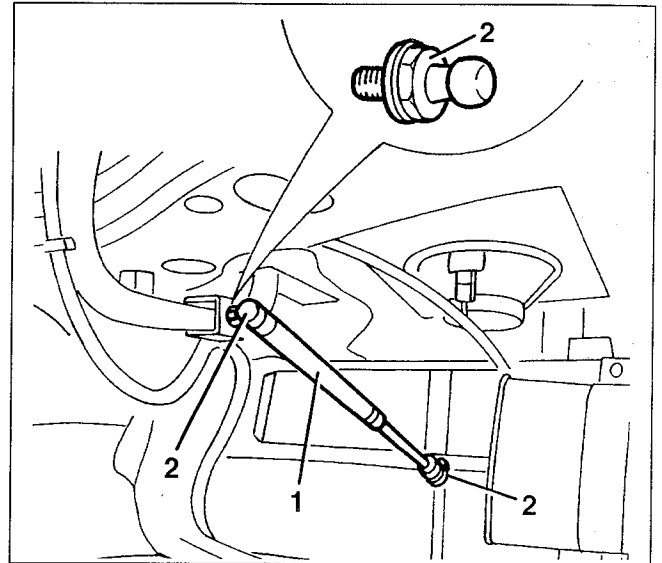
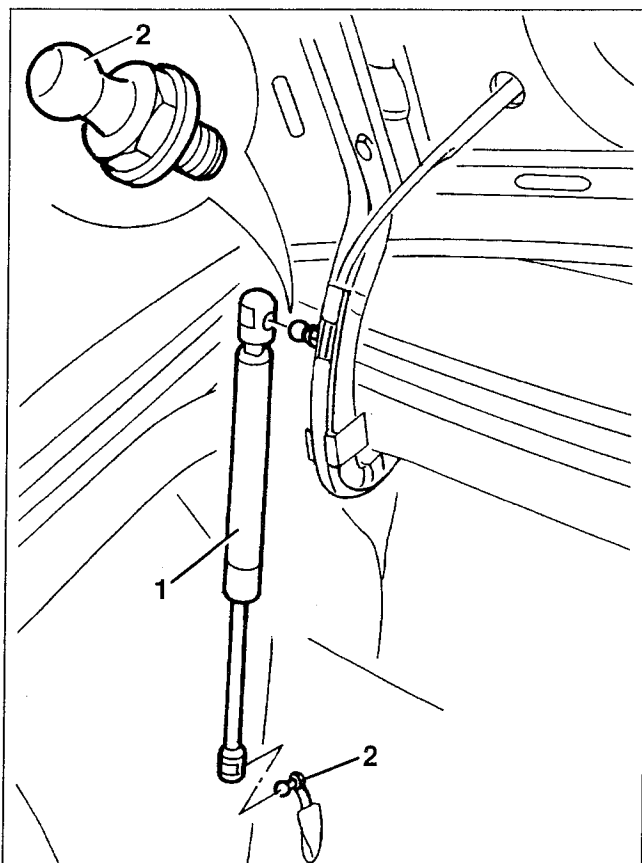
**NOTE:** The lower part of the left-hand prop houses the boot light switch. In the event of servicing, disconnect the electrical connection.

– Only for GTV: remove the boot inner trim (see specific paragraph).

1. Open the boot, support it appropriately, then open the clamps fastening the prop to the ball pins.



1. Remove the prop releasing it from its ball pins.
2. If necessary loosen and remove the two ball pins

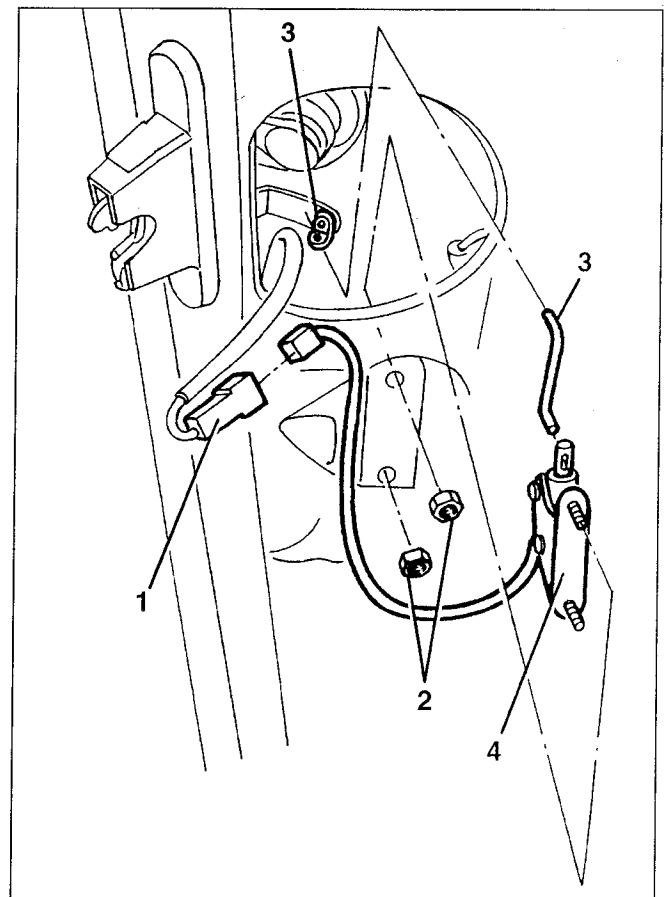


**BOOT LID CLOSING DEVICE  
BOOT OPENING/CLOSING ACTUATOR**

**Removal/Refitting**

- Open the boot and disconnect the battery.

  1. Disconnect the electrical connection.
  2. Slacken the two fastening nuts.
  3. Release the relay rod from the boot opening lever.
  4. Remove the boot opening actuator.



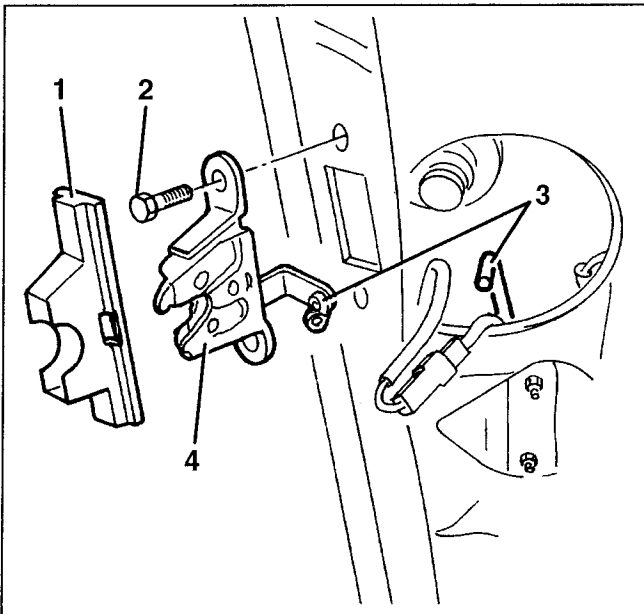


Refit the actuator reversing the sequence followed for removal.

### BOOT LID LOCK

#### Removal/Refitting

1. Remove the cover
2. Slacken the two screws fastening the lock.
3. Release the actuator relay rod from the boot lid opening lever.
4. Remove the lock

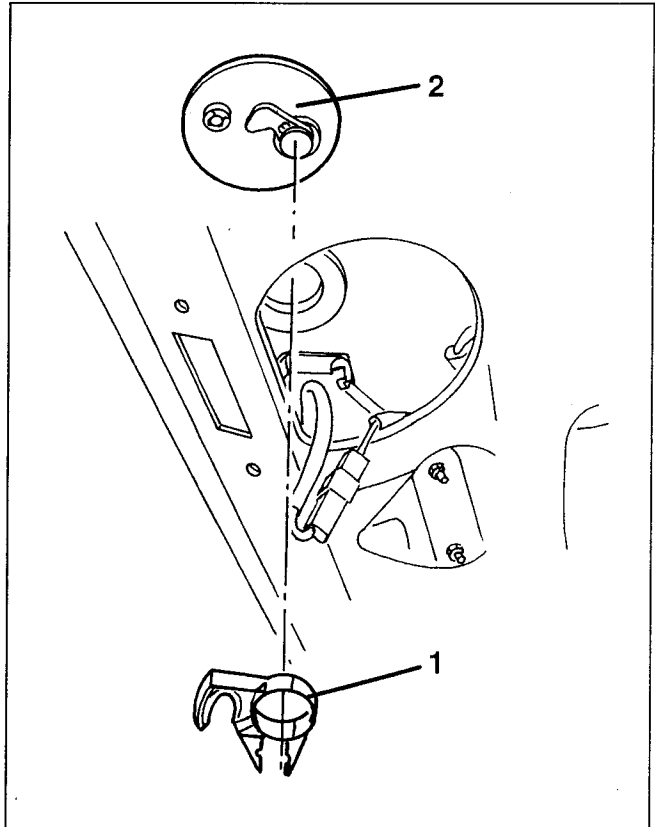


Refit the lock reversing the sequence followed for removal. Check the mating between the lock and the striker. If necessary, adjust the position of the striker (see specific paragraph).

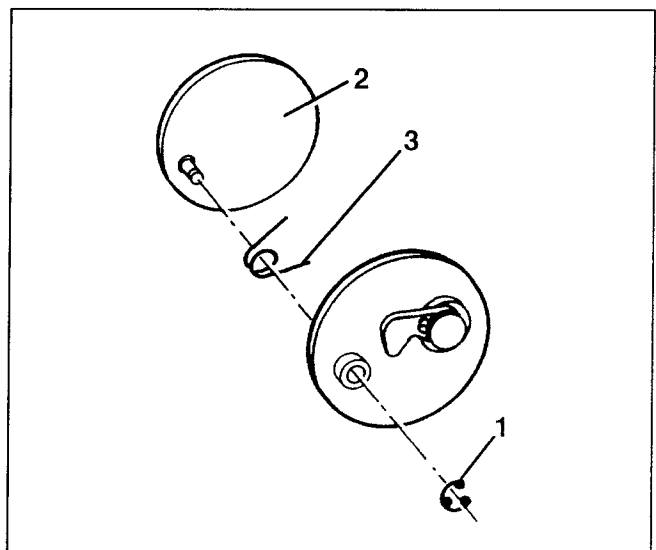
### LOCK UNIT

#### Removal/Refitting

- Remove the boot lock (see specific paragraph).
1. Turn the lock lever and remove it.
  2. Remove the lock unit from outside complete with rear badge.



1. If necessary, remove the retainer ring.
2. Remove the badge.
3. Remove the catch.

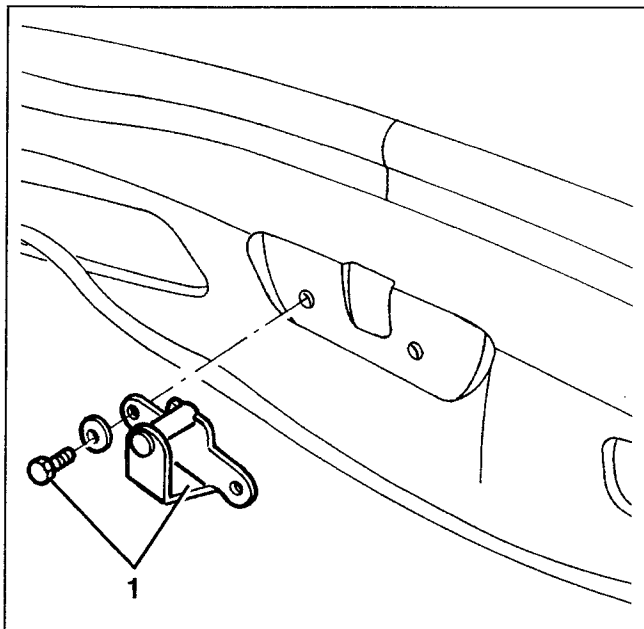




## LOCK STRIKER

### Removal/Refitting

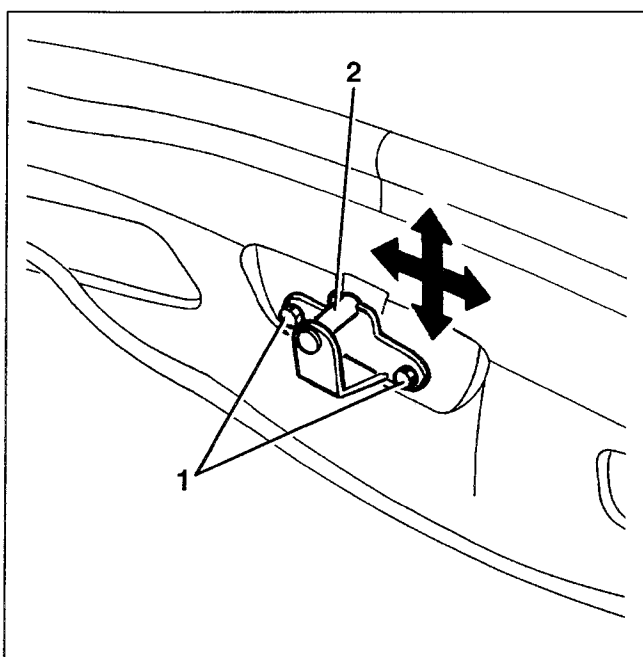
- Remove the boot rear trim (see specific paragraph).
- 1. Slacken the two screws and remove the lock striker.



Refit the lock striker reversing the sequence followed for removal.  
Adjust the position of the striker.

### ADJUSTMENT

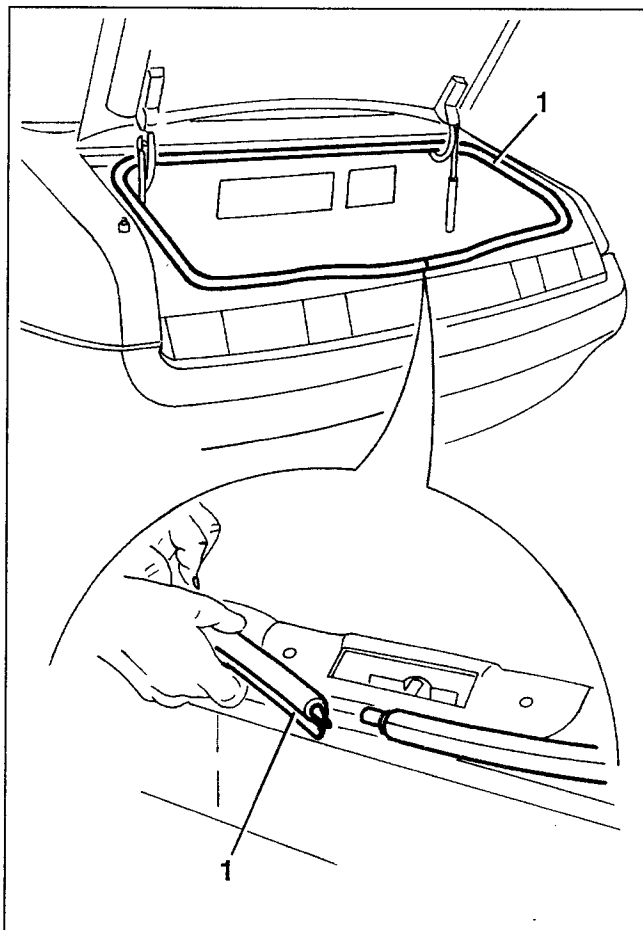
1. Loosen the two fastening screws.
  2. Adjust the position of the striker to obtain perfect mating with the boot lock.
- Retighten the screws.



## BOOT MOULDING

### REMOVAL/REFITTING

- Open the boot.
- 1. Starting from the jointing area, remove the seal around the whole perimeter of the boot.



Refit the moulding reversing the sequence followed for removal.

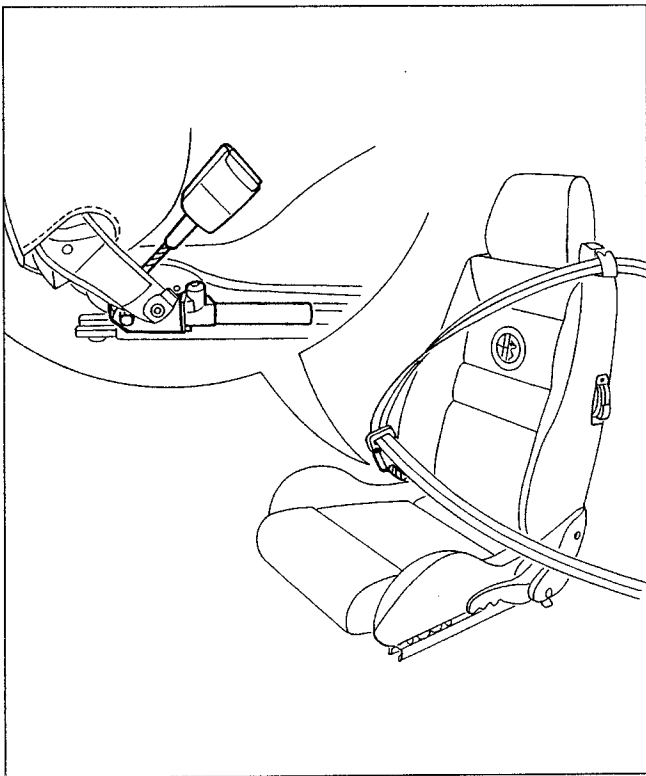
## FRONT SEATS

### DESCRIPTION

The shape of the front seats is designed to prevent the occupants from sinking down into the seat and slipping out below the abdominal stretch of the seat belt ("submarining" effect) in the event of a head-on collision.

Therefore, the structure of the seat is integrated with stiff cross pieces under the cushion and seat back which offer optimal restraint in the event of a crash. Additionally the back piece of the safety belt, with belt guide fastened to the seat back (Spider) or restrained adjustably on the pillar (GTV) perfectly "fits" the occupant's shoulder.

The safety belts are also fitted with pyrotechnic pretensioning devices. The headrests are fixed and protect the occupants from the "whiplash" effect when the car is hit from behind and from the rebounding following a head-on collision.



### COMPLETE SEAT

#### REMOVAL/REFITTING

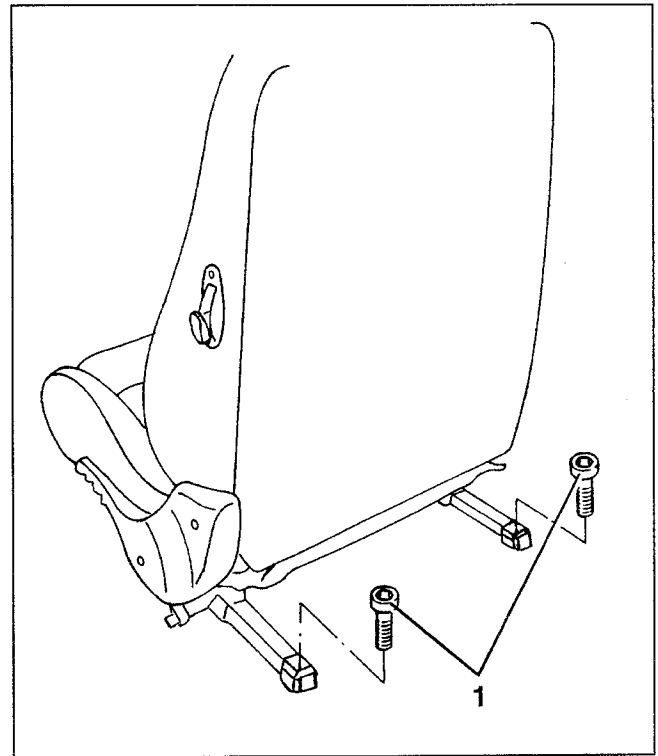


The seat belt pre-tensioner is fitted on the front seat.

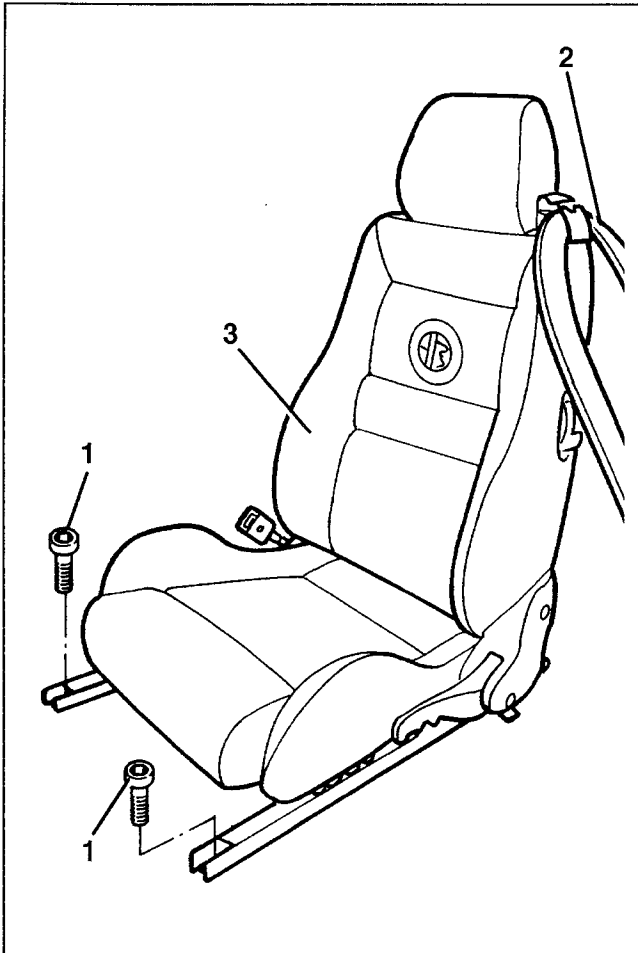
Before removing the seat closely follow the **SAFETY INSTRUCTIONS** given in group 55 - "Electric System Diagnosis" - Section "Air Bag and Pre-tensioners". In particular disconnect both the battery terminals, isolate them accurately and wait for 10 minutes before doing any work.

– Move the seat completely forwards

1. Slacken the two rear screws fastening the guides to the floor.



1. Move the seat backwards completely, slacken the two front screws fastening the guides to the floor.
2. Release the seat belt from the belt buckle (only for Spider).
3. Remove the seat.



Avoid dirtying or damaging the seat upholstery. Refit the seat reversing the sequence followed for removal.

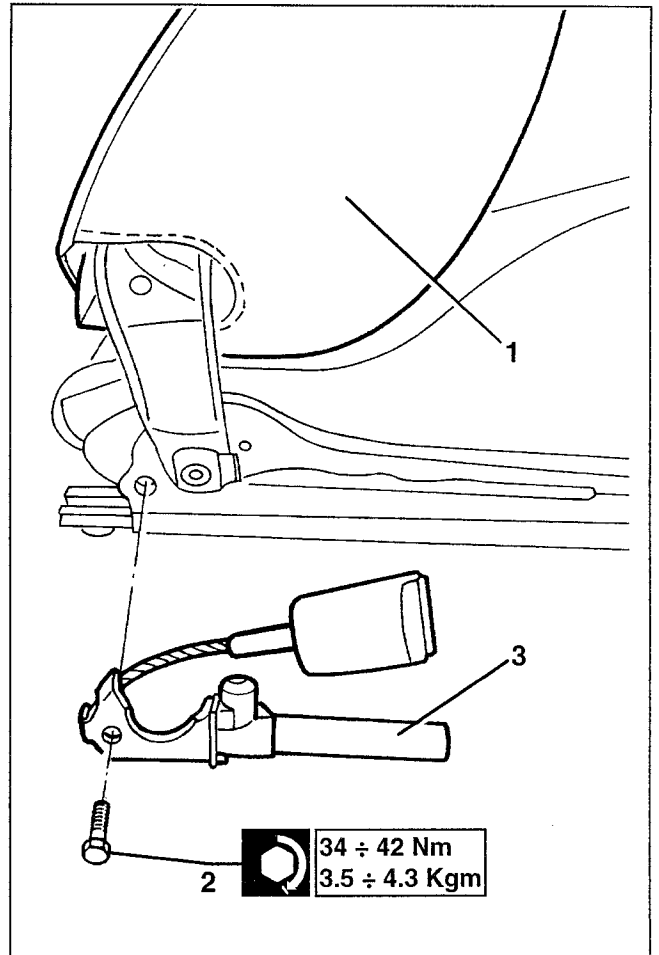
## SEAT BELT ATTACHMENT WITH PRE-TENSIONER

### REMOVAL/REFITTING



Before doing any work on the device closely follow the SAFETY INSTRUCTIONS given in group 55 - "ELECTRIC SYSTEM DIAGNOSIS", Section "Air Bag and Pre-tensioners".  
In particular disconnect both the battery terminals, isolate them accurately and wait for 10 minutes before doing any work.

- Remove the seat (see specific paragraph).
1. Tilt the seat back forward.
  2. Slacken the screw fastening the seat belt attachment.
  3. Remove the attachment complete with pre-tensioner, passing the belt buckle between the seat back and the cushion.



During both dis-assembly and refitting operations avoid the use of pneumatic screwdrivers and under all circumstances avoid knocking the pre-tensioner.



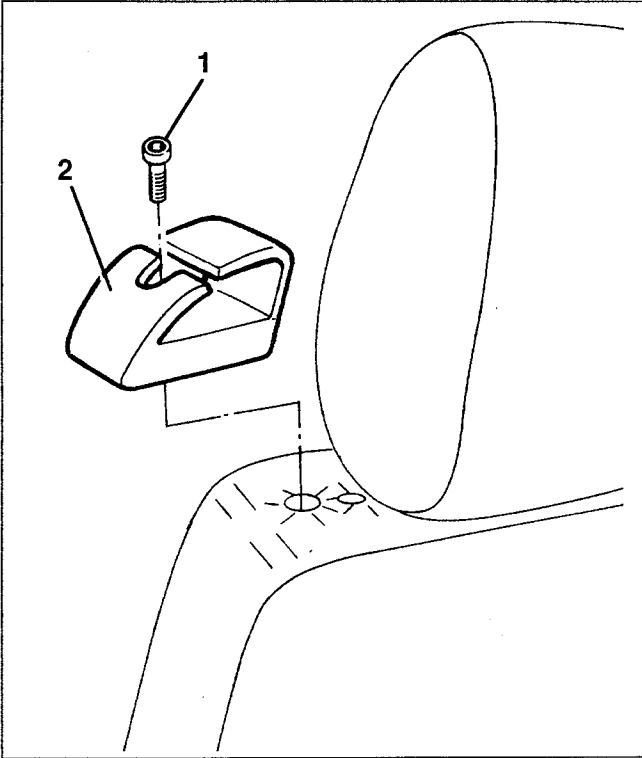
Refit the pre-tensioner reversing the sequence followed for removal

**SEAT DIS-ASSEMBLY**

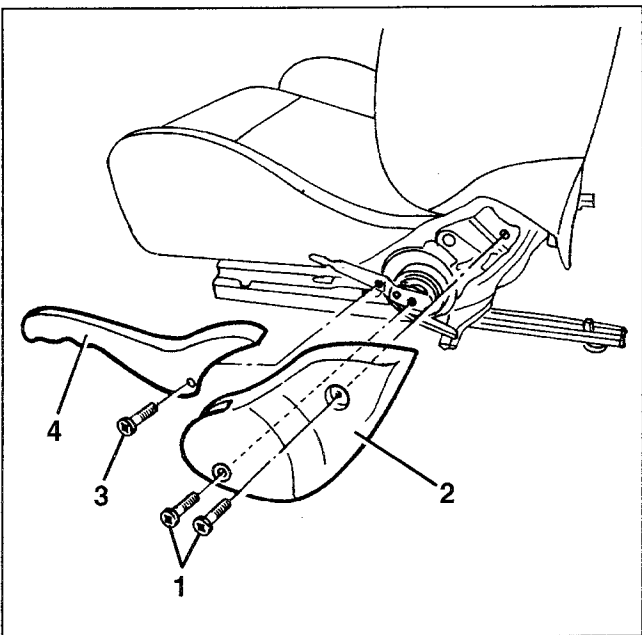
**SEAT BACK AND HEADREST**

– Only for Spider:

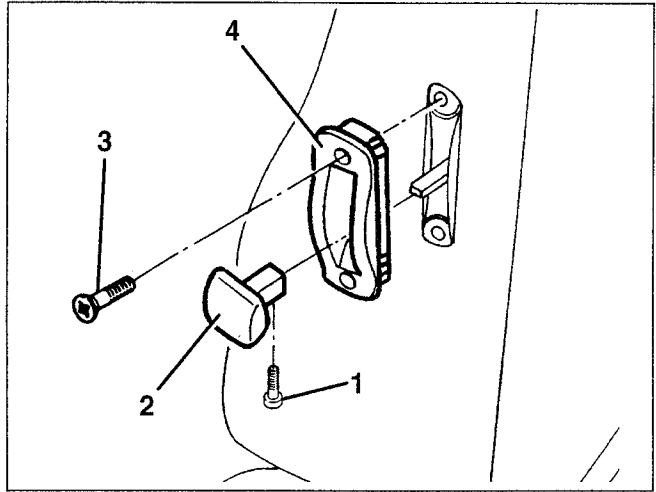
1. Slacken the screw fastening the seat runner.
2. Remove the seat runner.



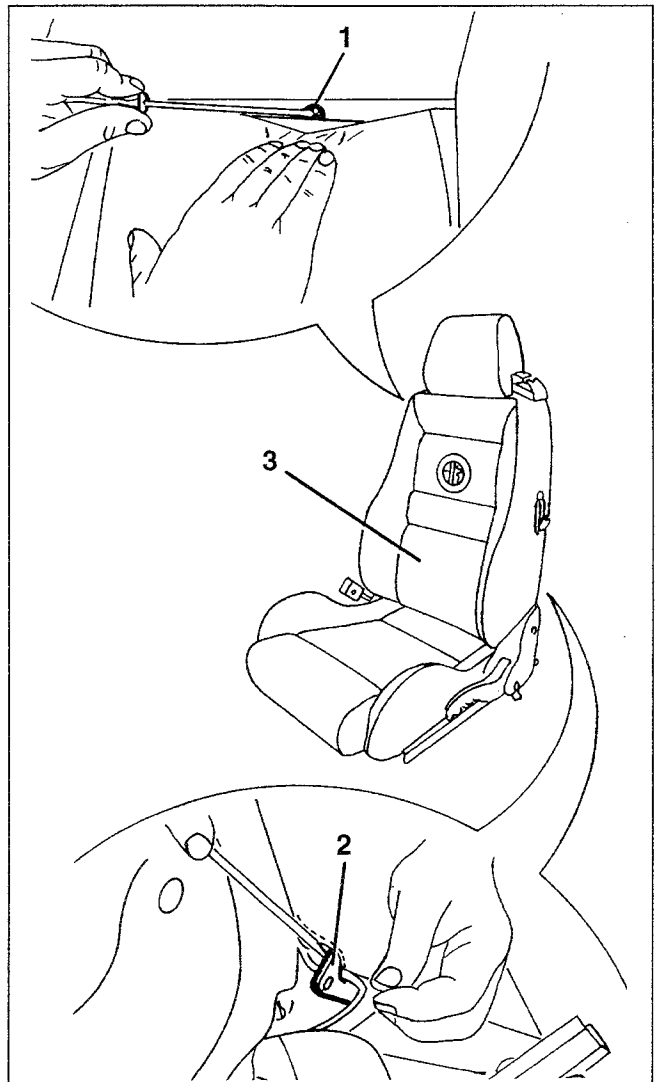
1. Slacken the two screws.
2. Remove the side plate.
3. Slacken the screw.
4. Withdraw the seat recline adjustment lever.



1. Raise the seat tilting lever and slacken the knob fastening screw.
2. Remove the knob.
3. Slacken the two screws fastening the plate.
4. Remove the plate.

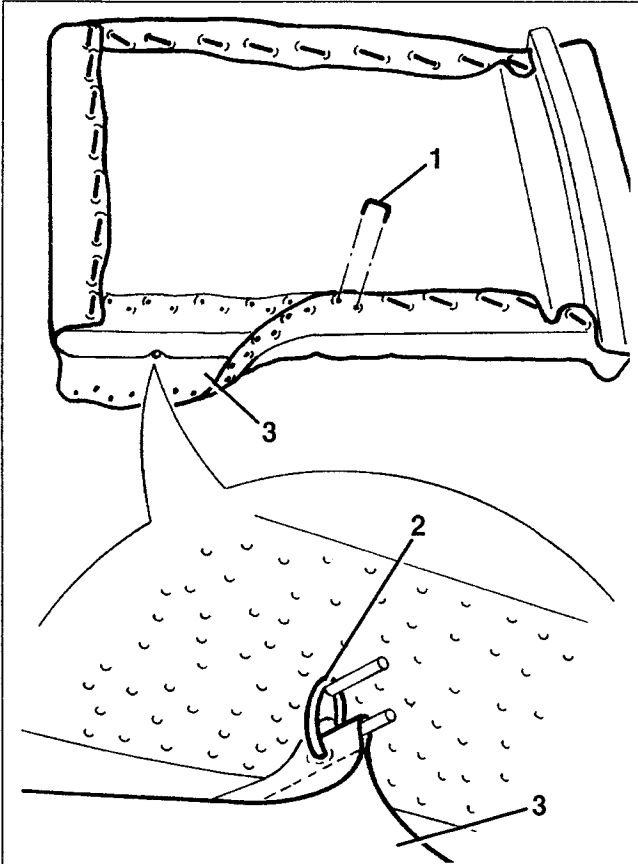


1. Open the three tabs fastening the upper seat back padding.
2. Release the lower edge of the padding from the rear of the seat.
3. Remove the seat back padding.

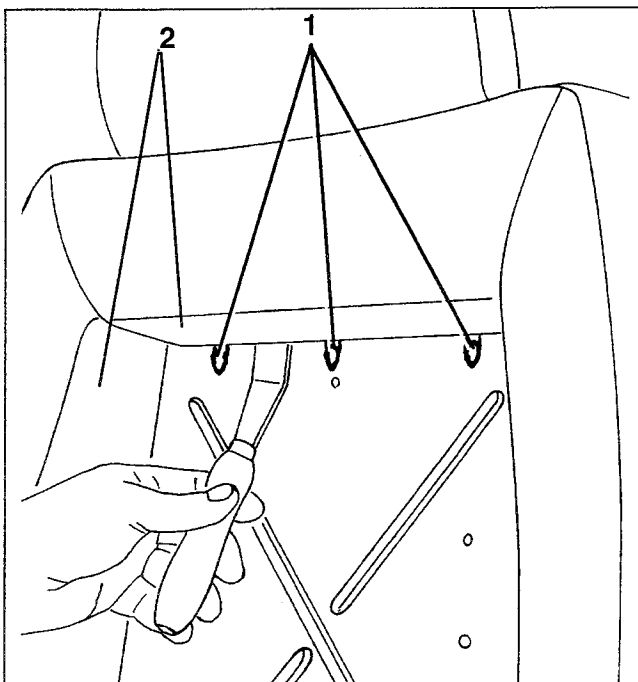


If necessary dis-assemble the seat back padding.

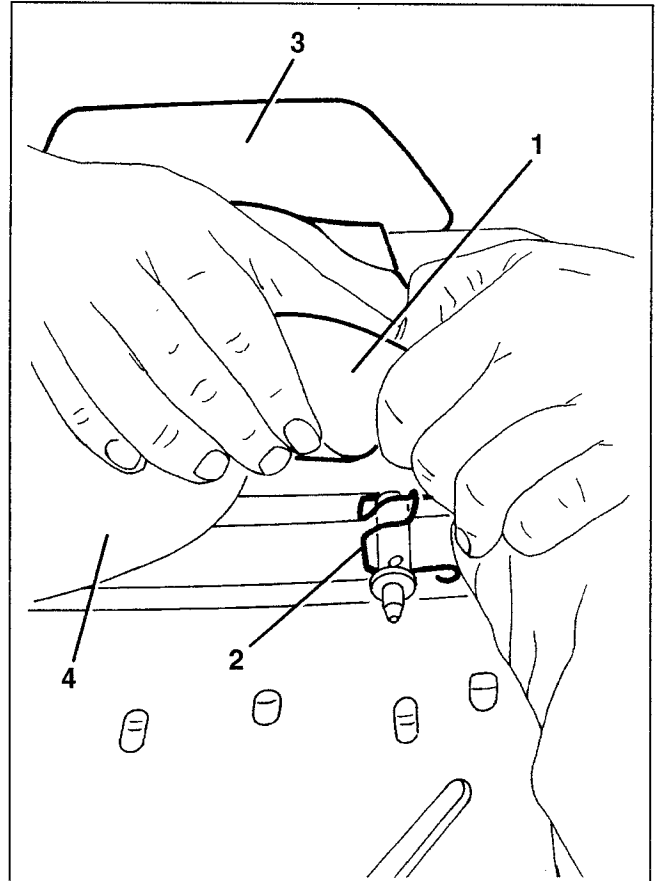
1. Open the clips fastening the cover to the padding.
2. In correspondence of the two crosswise seams cut the three clips between the rod inserted in the padding and the one in the cover.
3. Remove the cover.



1. Open the upper and side tabs fastening the seat back cover.
2. Raise the edges and release the cover.

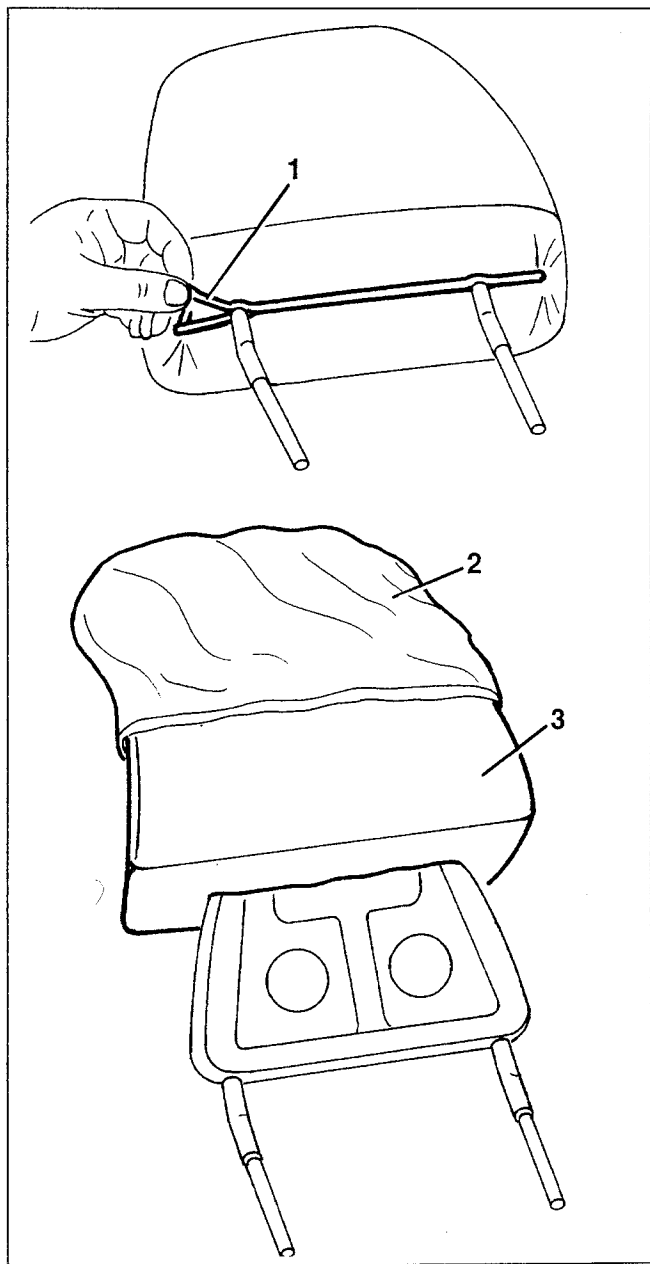


1. Raise the seat back upper padding.
2. Remove the retainer clip on each headrest pin
3. Remove the headrest.
4. Remove the seat back cover.

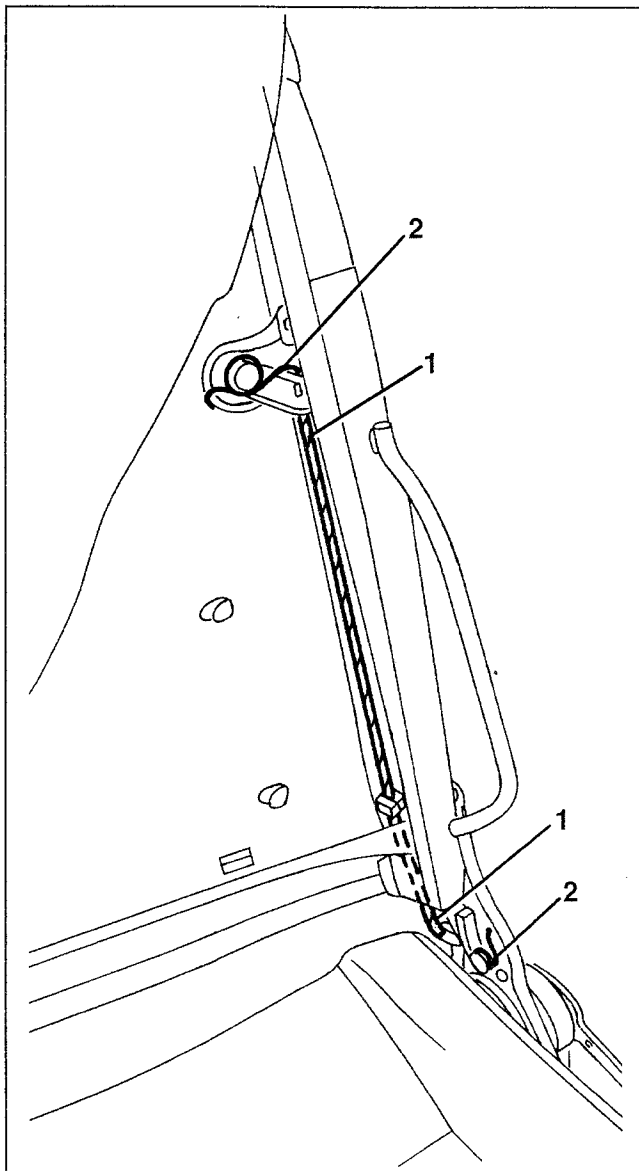


To facilitate re-assembly of the cover on the seat back, position the special material (non-woven fabric) correctly which aids the sliding action and the correct positioning of the cover itself.

1. If necessary, open the lower edge of the headrest cover.
2. Withdraw the headrest cover.
3. Remove the headrest padding.

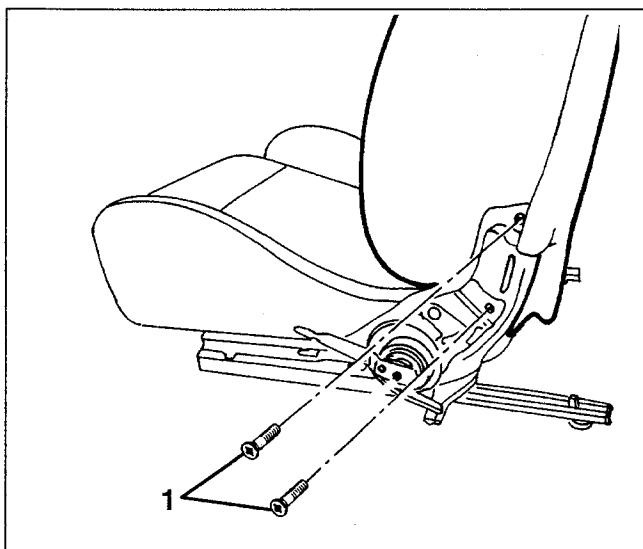



1. If necessary, replace the seat back tilting cable disconnecting it from the upper lever and from the lower hook.
2. If necessary, remove the upper and lower reaction springs.



To facilitate re-assembly of the cover on the head rest, position the special material (non-woven fabric) correctly which aids the sliding action and the correct positioning of the cover itself.

1. If necessary, slacken the two screws fastening the seat back to the seat structure on both sides.
2. Remove the seat back.

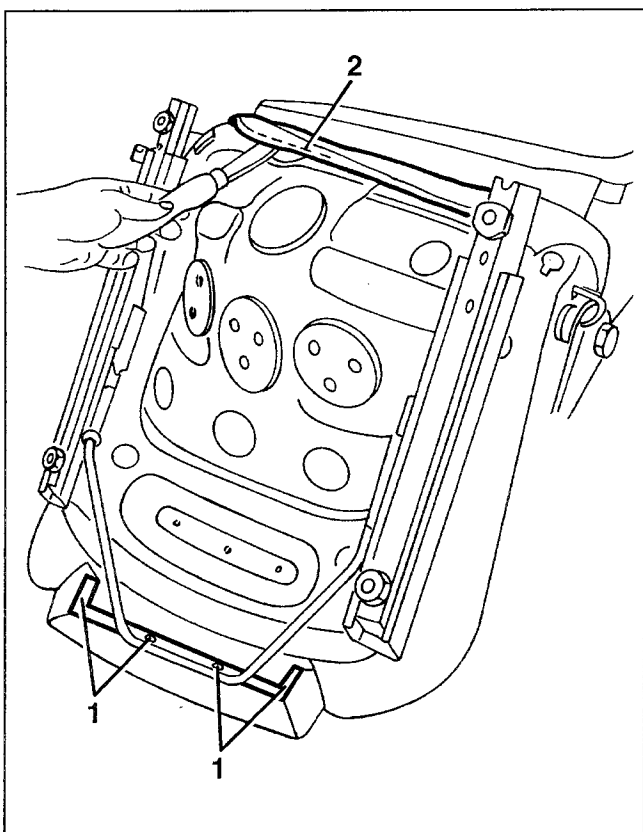


 Re-assemble the seat back and headrest reversing the procedure followed for dis-assembly.

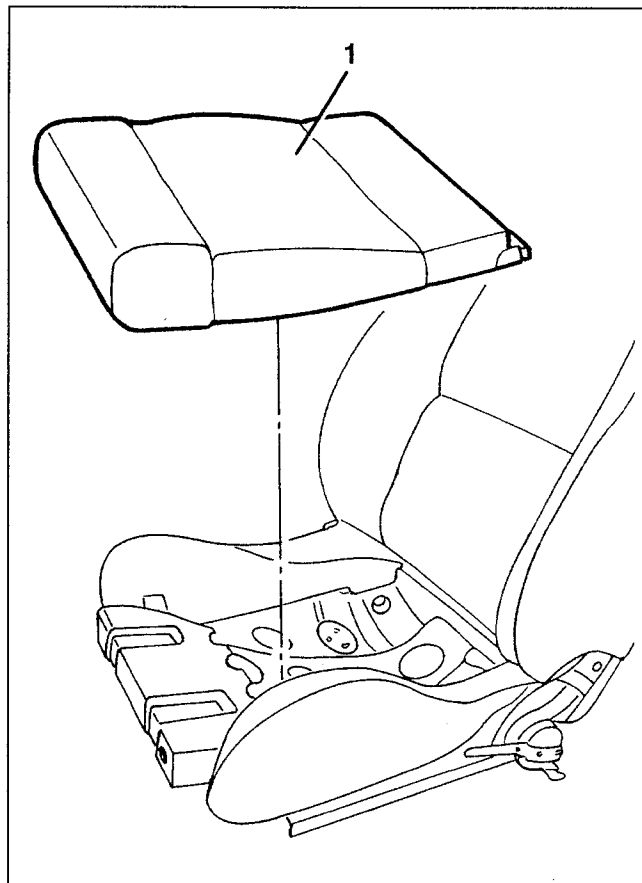
Use a suitable glue to fix the seat back paddings to the structure.

### CUSHION AND SEAT GUIDES

1. Remove the two rivets and prise off the profile fastening the front cushion to the side of the seat.
2. Raise the rear edge of the cushion cover.

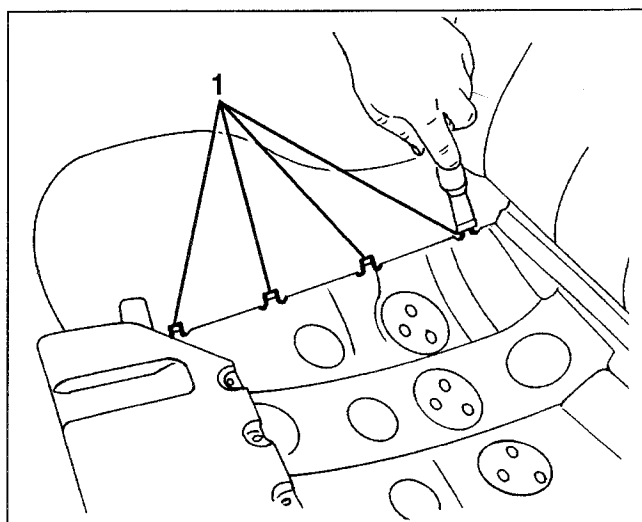


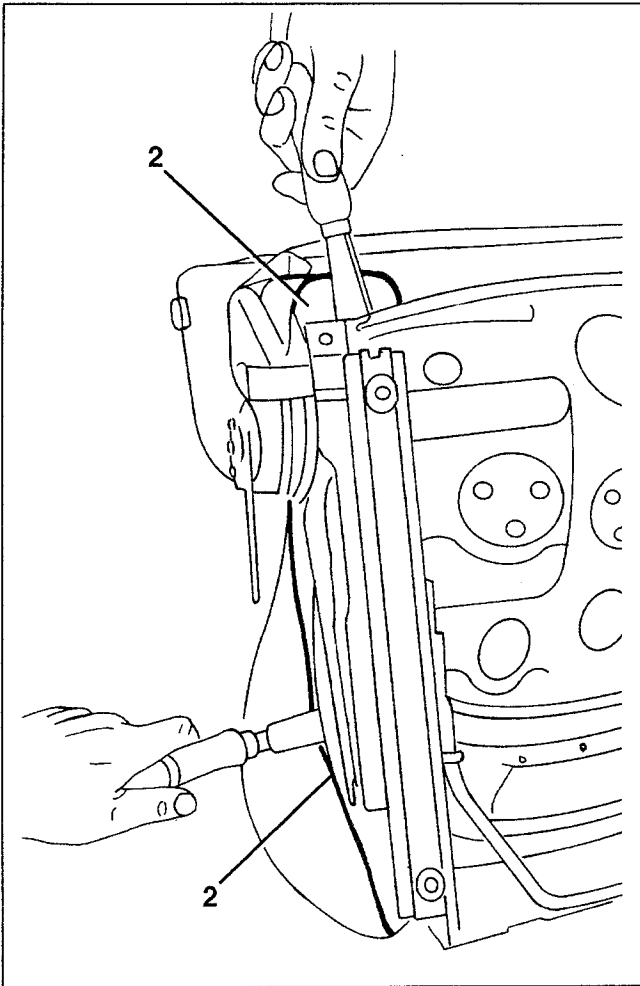
1. Remove the cushion padding withdrawing the rear edge between the cushion and the seat back.
  - If necessary, replace the cushion cover proceeding as described for the seat back padding (see specific paragraph).



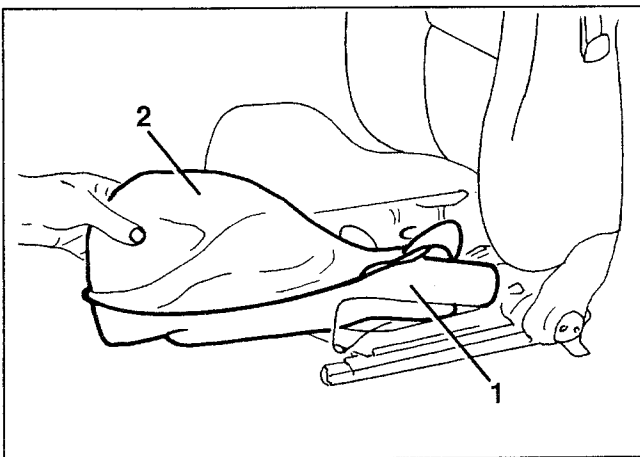
**NOTE:** Before removing the cushion side paddings, it is advisable to remove the pretensioner (see specific paragraph).

1. Open the four tabs fastening the sides of the cushion cover.
2. Raise the rear and side edges.



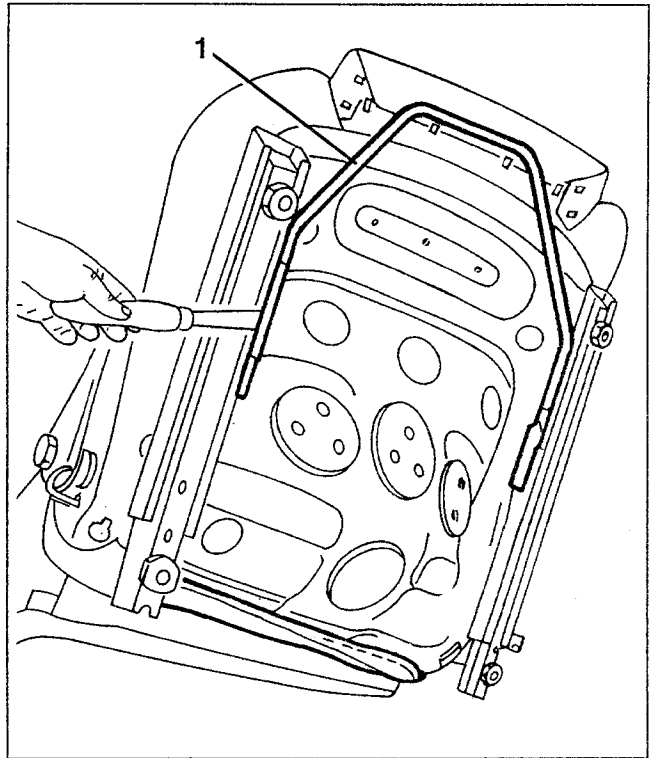


1. Remove the side paddings
2. Withdraw the cover.



To facilitate re-assembly of the cover on the paddings, position the special material (non-woven fabric) correctly which aids the sliding action and the correct positioning of the cover itself.

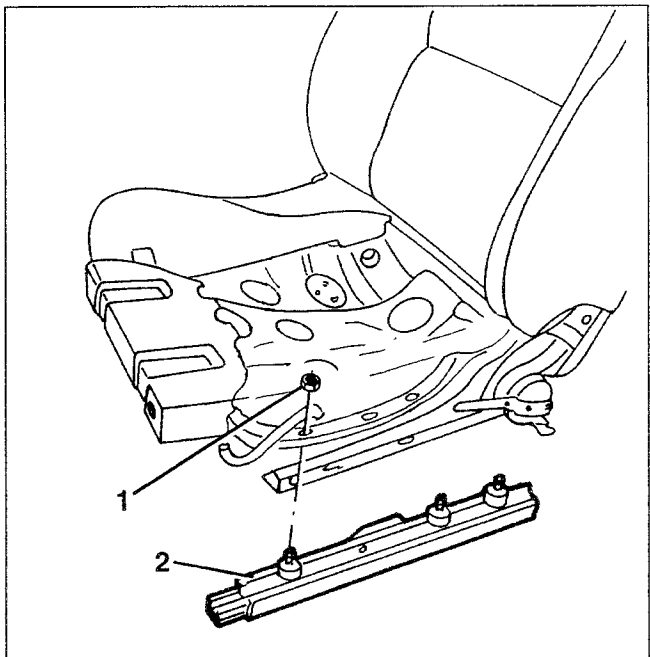
1. Remove the lower arc which enables the running of the seat



**WARNING**

The arc is preloaded. Take care when removing it.

1. Slacken the three guide fastening nuts on each side.
2. Remove the guides from the seat structure.



**Re-assemble reversing the procedure followed for dis-assembly.**

Use a suitable glue to fix the cushion padding to the structure.



## ELECTRIC FRONT SEATS

### DESCRIPTION

The GTV version may be fitted with electrically operated seats.

Four electric motors, matched to reduction units, allow the following movements of the seat:

- lengthwise movement,
- height adjustment,
- front rocker,
- rear rocker,
- backrest angle.

The controls are located at the side of the seat and are easy to operate.

The folding over of the backrest and the adjustment of the rigidity of the lumbar area still have a manual control.

The seat may be equipped with a heating system, consisting of two heater pads, located in the cushion and the backrest, and a control switch.

- 10 Lengthwise movement motor
- 11 Front rocker motor
- 12 Rear rocker motor
- 13 Cushion heater pad
- 14 Lumbar adjustment control
- 15 Backrest heater pad

### COMPLETE SEAT

#### REMOVING/REFITTING

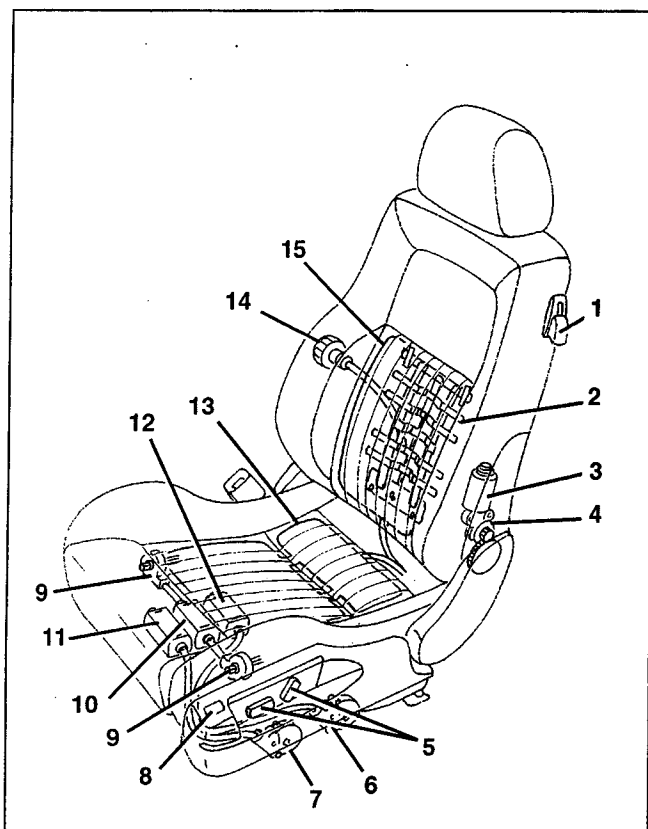


The seat belt pretensioner is fitted on the seat.

Before removing the seat, follow the **SAFETY INSTRUCTIONS** in Group 55 - "Electrical Equipment Fault Diagnosis" - "Air Bag and Pretensioners" Section very closely. In particular, disconnect both battery terminals, insulate them carefully and wait for 10 minutes before working.

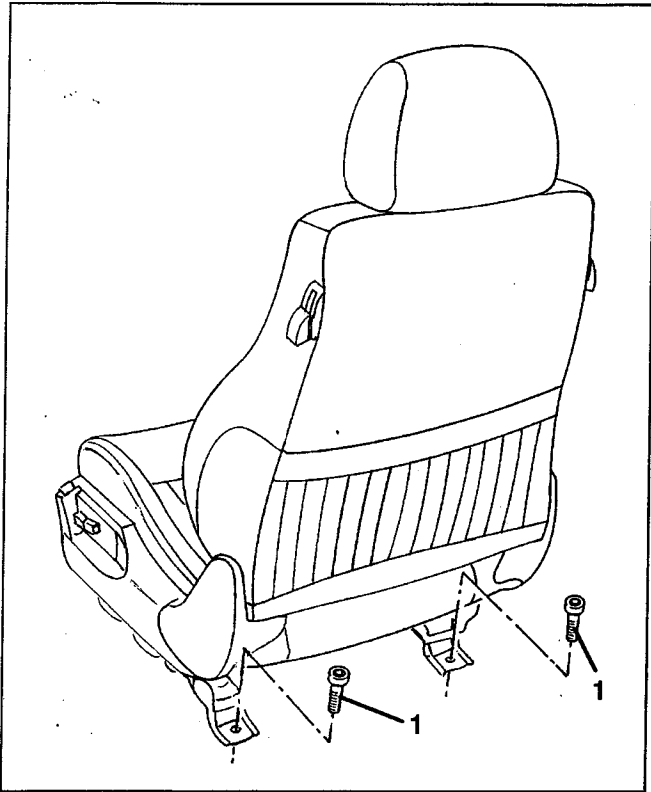
- Lift the seat until it is in the upper end of travel position.
- Move the seat until it is in the front end of travel position.

**Note:** If it is not possible to move the seat using the motor, following a failure, remove the seat by detaching it from the guides (See "SEAT GUIDES WITH ELECTRICAL MOVEMENTS, Removing - Refitting" procedure).

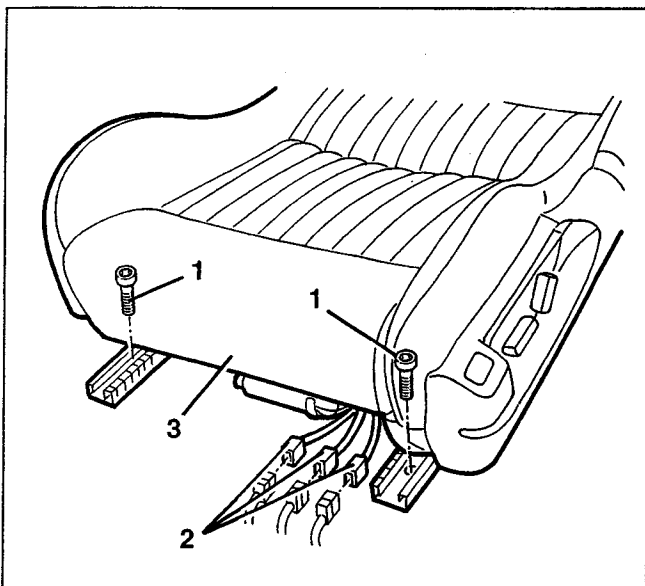


- 1 Backrest folding control
- 2 Lumbar adjustment mechanism
- 3 Backrest angle motor
- 4 Backrest angle reduction unit
- 5 Seat movement controls
- 6 Rear rocker reduction unit
- 7 Front rocker reduction unit
- 8 Seat heater switch
- 9 Lengthwise movement reduction unit

1. Undo the two rear bolts fixing the guides to the floor.



- Move the seat until it is in the rear end of travel position.
- Disconnect the battery.
- 1. Undo the two front bolts fixing the guides to the floor.
- 2. Raise the seat slightly and disconnect the electrical connections for the pretensioner, the movement supply motors and the seat heaters.
- 3. Remove the seat.



Keep the seat cover clean and avoid damaging it.



Proceed with refitting the seat, reversing the order of the operations carried out for the removal.

**SEAT BELT WITH PRETENSIONER**

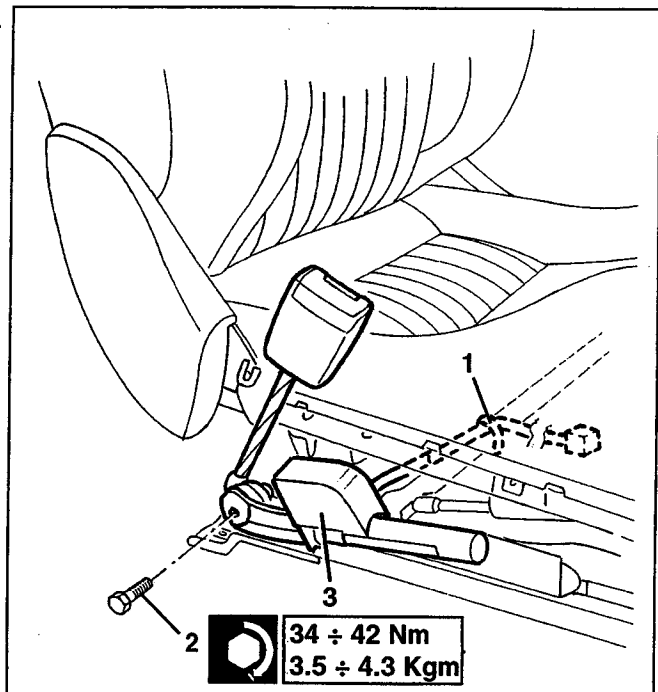
**REMOVING / REFITTING**



Before working on this device, follow the **SAFETY INSTRUCTIONS** illustrated in Group 55 - "Electrical Equipment Fault Diagnosis" - "Air Bag and Pretensioners" Section very closely.

In particular, disconnect both battery terminals, insulate them carefully and wait for 10 minutes before working.

- Remove the seat (see specific paragraph).
- 1. Cut the wiring retaining band.
- 2. Undo the bolt fixing the seat belt.
- 3. Recover the element complete with pretensioner.



Both when removing and refitting, avoid the use of pneumatic tools and definitely avoid any impacts to the pretensioner.

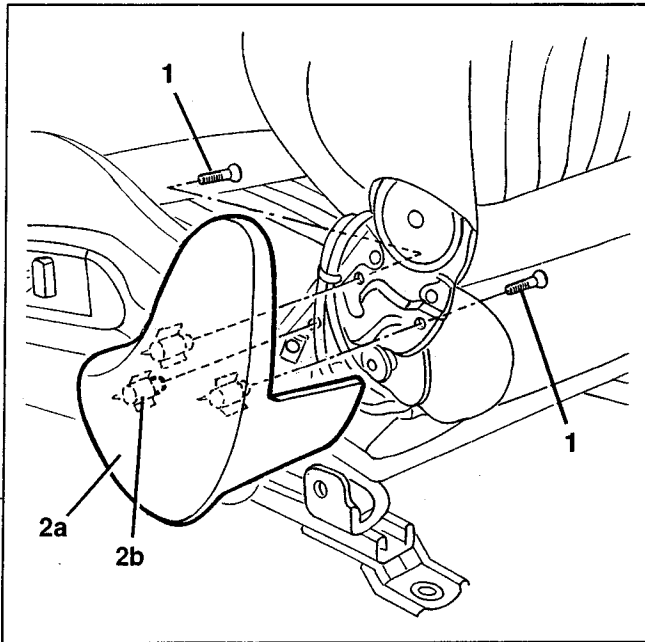


Proceed with refitting the pretensioner, reversing the order of the operations carried out for the removal.

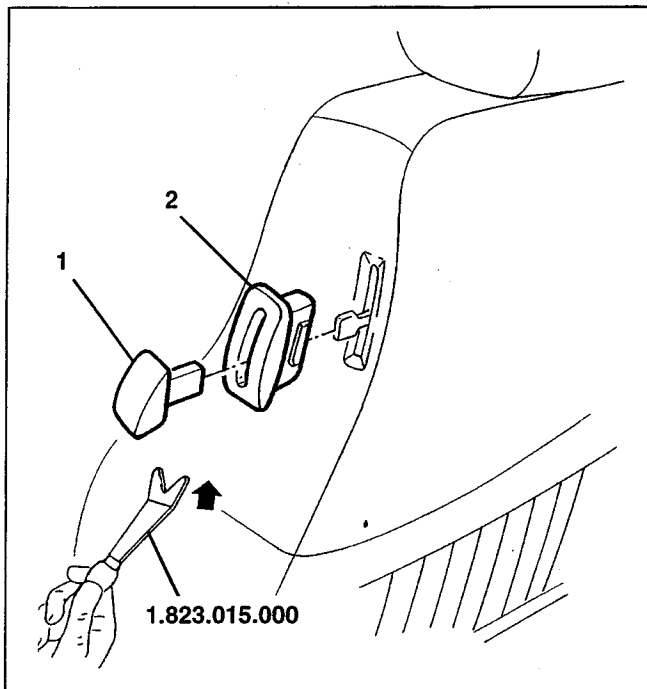
**BACKREST CENTRE CUSHION**

**REMOVING - REFITTING**

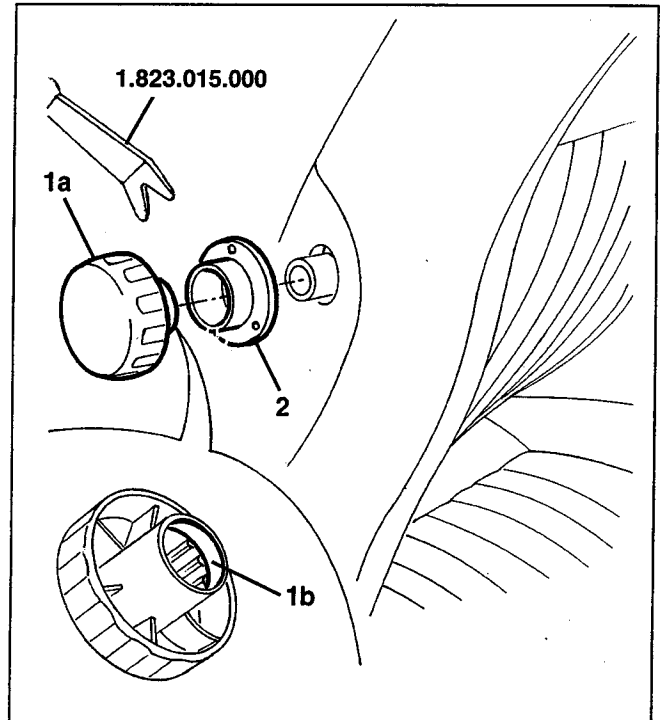
- Remove the seat (see specific paragraph).
- 1. Working on both sides of the seat, undo the bolts fixing the trims to the joints.
- 2. Remove the trims (2a) disconnecting the retainer (2b).



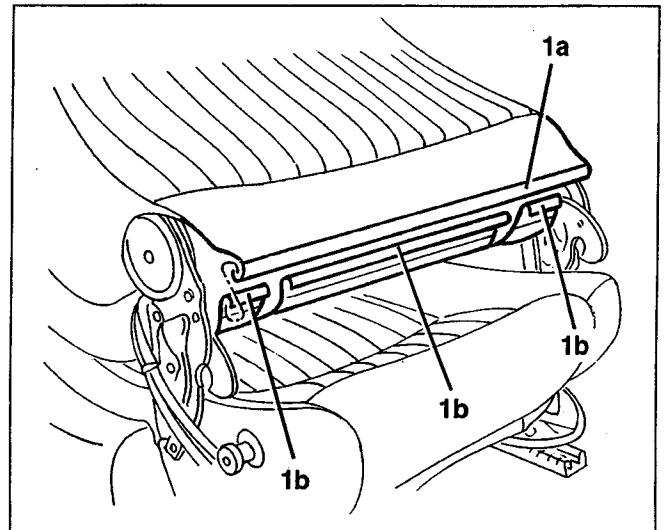
- 1. Working on both sides of the seat, using tool 1.823.015.000, remove the backrest angle knobs.
- 2. Using tool 1.823.015.000, remove the trims.



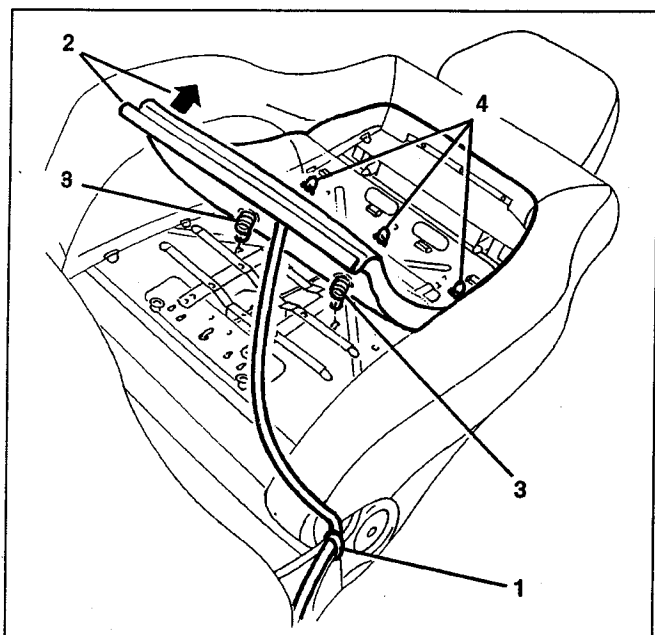
- 1. Working on the left of the seat, release the lumbar adjustment knob (1a), using tool 1.823.015.000, releasing the retaining ring (1b).
- 2. Recover the washer.



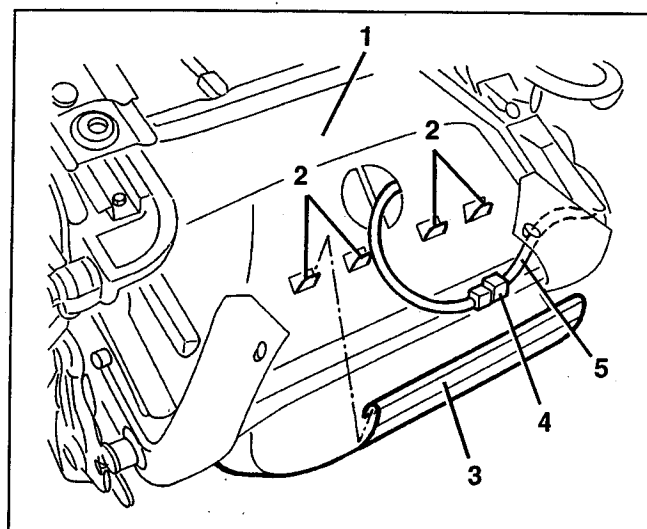
- 1. Using a screwdriver, disconnect the lower retainer (1a) for the backrest cover from the retainers (1b).



- 1. Cut the retaining band for the backrest heater pad supply cable.
- 2. Gently lift up the backrest centre cushion.
- 3. Disconnect the cushion springs from the retainers.
- 4. Lift the centre cushion further and cut the cushion retaining rings, then recover the strips.



1. Gently lift the centre cushion retaining tabs.
2. Release the centre cushion retainer from the tabs.
3. Move the backrest centre cushion.

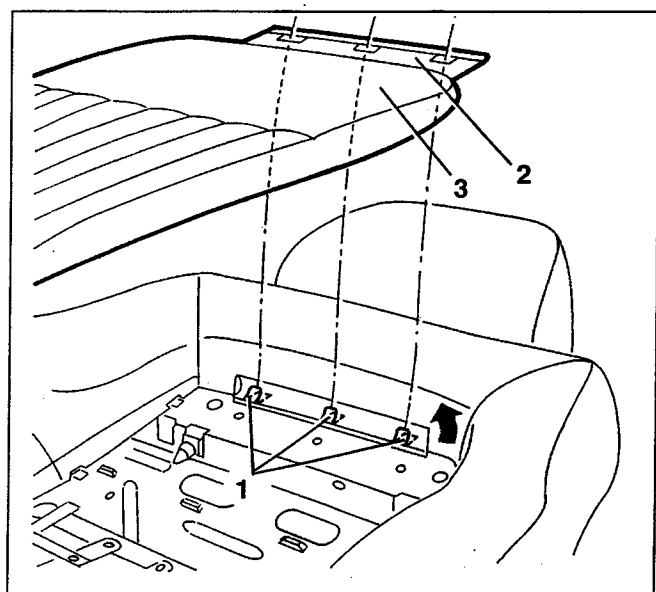


Proceed with refitting the centre cushion, reversing the order of the operations carried out for the removal.

## HEAD RESTRAINT

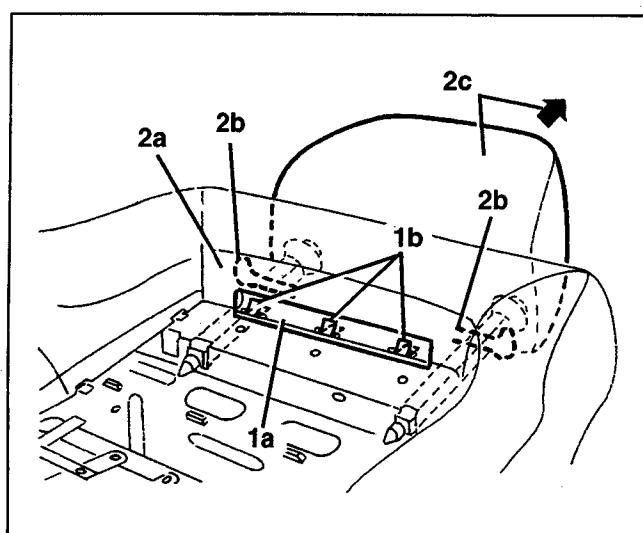
### REMOVING – REFITTING

- Remove the seat (see specific paragraph).
  - Remove the backrest centre cushion (see specific paragraph).
1. Release the retainer profile (1a) for the backrest cover from the tabs (1b).
  2. Move the cover (2a) slightly, then lift up the springs (2b) and remove the head restraint (2c).



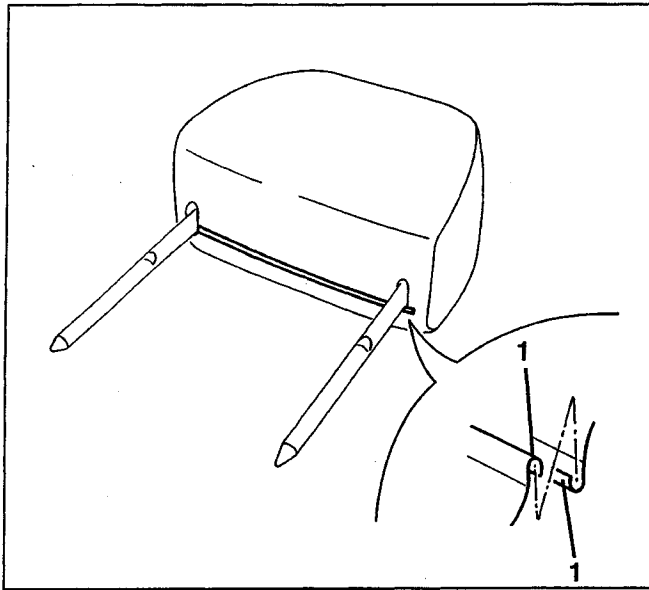
- If necessary, completely remove the backrest centre cushion (disconnecting the backrest heater pad electrical cable), proceeding as follows.

1. Fold the seat over.
2. Working underneath the cushion, open the rear cover retainers slightly.
3. Disconnect the retainer profile and move it.
4. Disconnect the electrical connection for the backrest heater pad.
5. Remove the electrical cable and recover the backrest centre cushion with the heater pad.

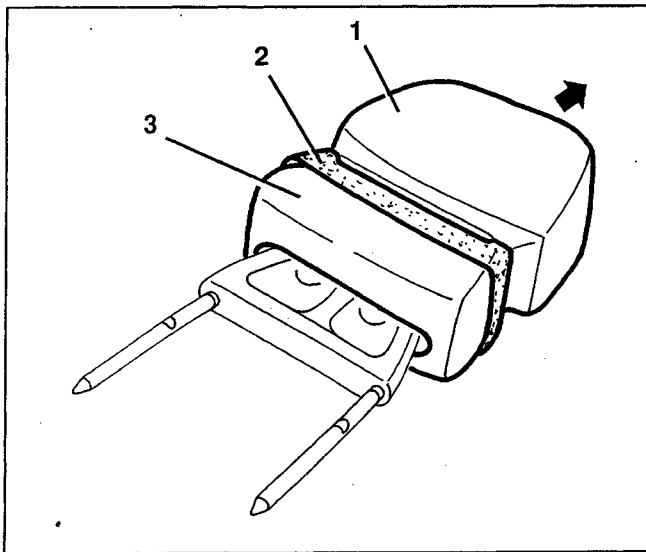


### DISMANTLING

1. Disconnect the two retainer profiles for the head restraint cover.



1. Remove the head restraint cover.
2. Remove the "non fabric fabric".
3. If necessary, remove the upholstery from the head restraint frame.



To facilitate the refitting of the cover on the head restraint, position the "non fabric fabric" correctly to facilitate the sliding and correct positioning of the actual cover.



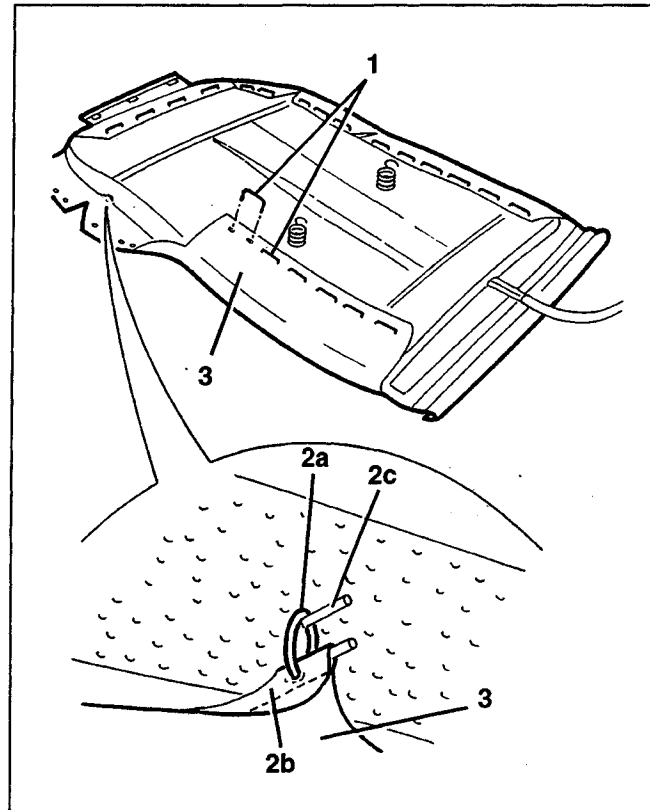
Proceed with the reassembly and then the refitting of the head restraint, reversing the order of the operations carried out for the removal.

**COVER AND HEATER PAD FOR  
BACKREST CENTRE UPHOLSTERY  
REMOVING - REFITTING**

- Remove the seat (see specific paragraph).

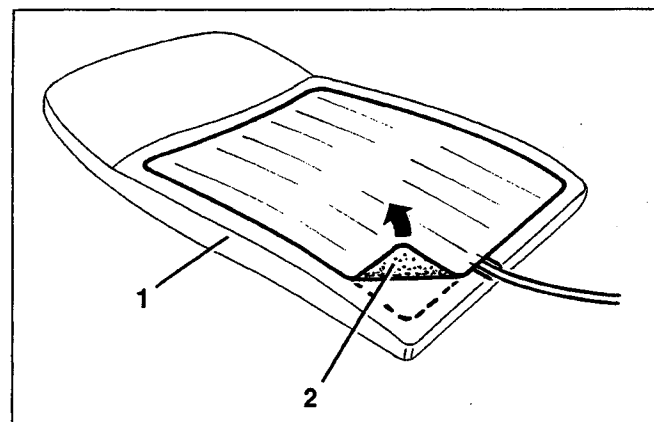
- Remove the backrest centre cushion (see specific paragraph).

1. Remove the clips which fasten the cover to the upholstery.
2. By the transverse stitching, cut the retaining rings (2a) between the cover (2b) and the upholstery rod (2c).
3. Recover the cover.



- If necessary, remove the heater pad, following the instructions given below.

1. Fold the upholstery over.
2. Remove the heater pad from the upholstery.



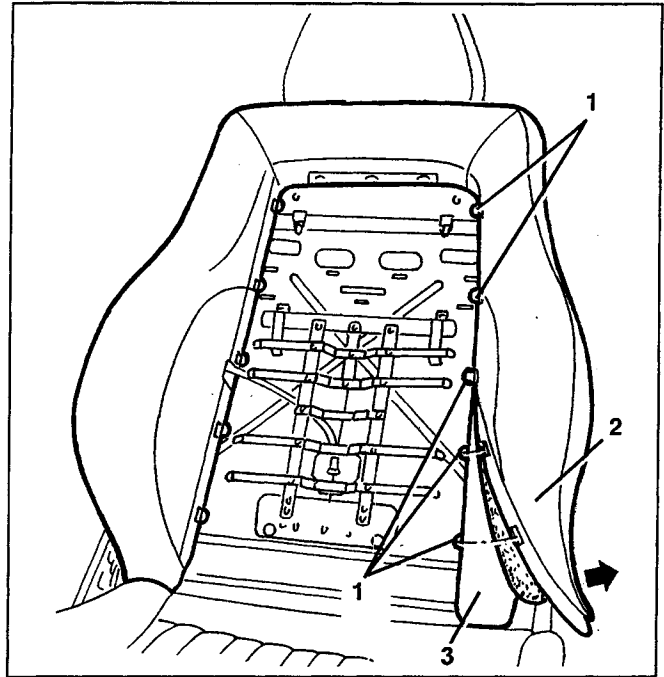
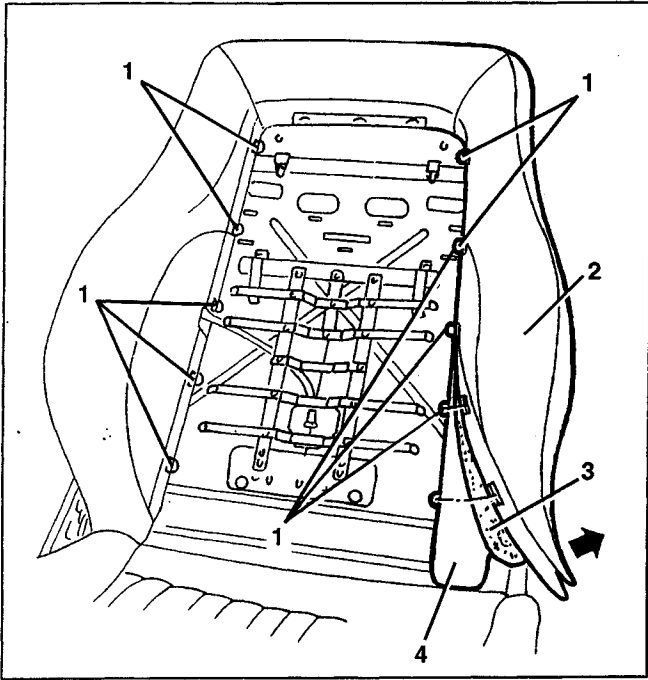
Proceed with refitting the heater pad and the cover, reversing the order of the operations described for the removal.

**BACKREST COVER**

**REMOVING - REFITTING**

- Remove the seat (see specific paragraph).
- Remove the backrest centre cushion (see specific paragraph).
- 1. Lift up the cover retaining tabs gently.
- 2. Disconnect and remove the backrest cover.
- 3. Remove the non fabric fabric.
- 4. If necessary, remove the upholstery.

- 2. Disconnect and move the cover on the left side.
- 3. Move the upholstery slightly.



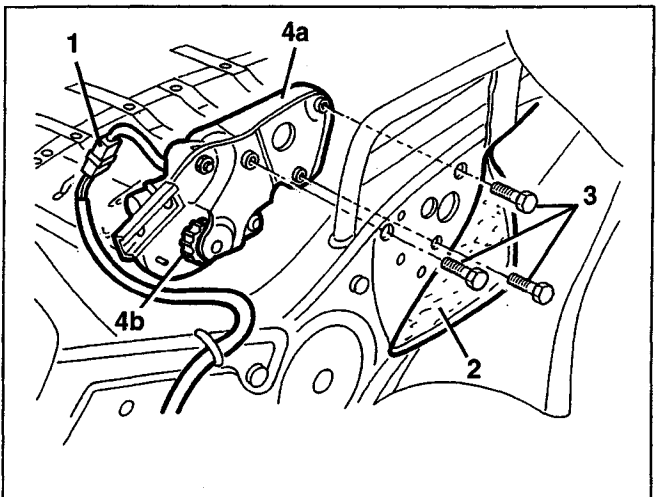
- 1. Disconnect the electrical connection for the backrest angle adjustment motor.
- 2. Move the foam rubber protective edge.
- 3. Undo the bolts fixing the backrest angle adjustment motor.
- 4. Remove the motor (4a), disconnecting the pinion (4b) from the toothed wheel on the backrest frame.



To facilitate the refitting of the cover on the upholstery, position the non fabric fabric correctly which will facilitate the sliding and the correct positioning of the actual cover.



Proceed with refitting the cover, reversing the order of the operations carried out for the removal.



Proceed with refitting the backrest angle adjustment motor, reversing the order of the operations carried out for the removal.

**BACKREST ANGLE MOTOR**

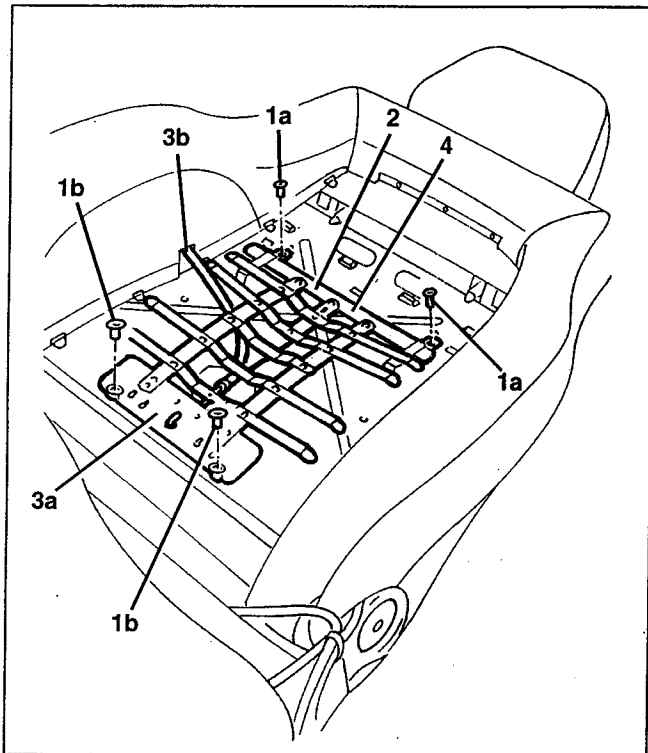
**REMOVING - REFITTING**

- Remove the seat (see specific paragraph).
- Remove the backrest centre cushion (see specific paragraph).
- 1. Gently raise the retaining tabs on the left side of the backrest cover.

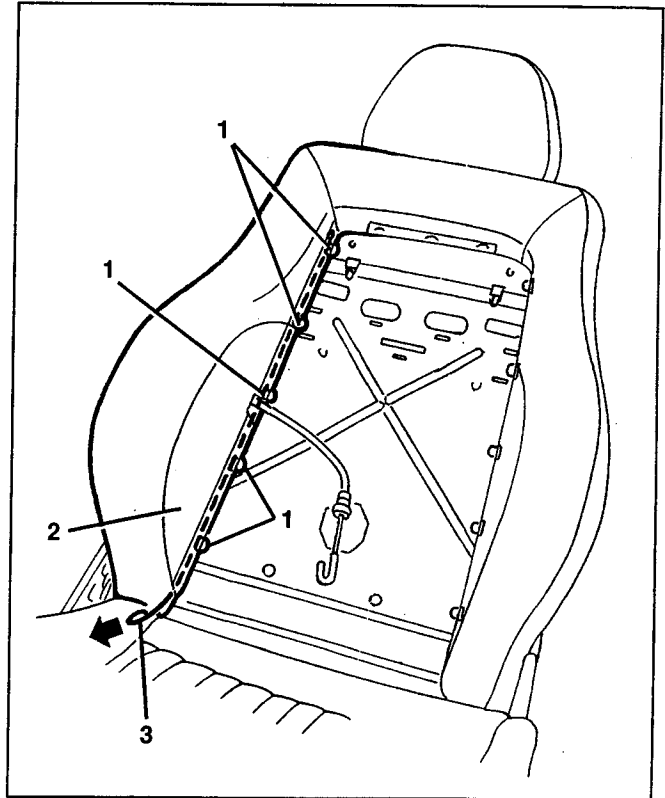
**BACKREST LUMBAR  
ADJUSTMENT DEVICE**

**REMOVING - REFITTING**

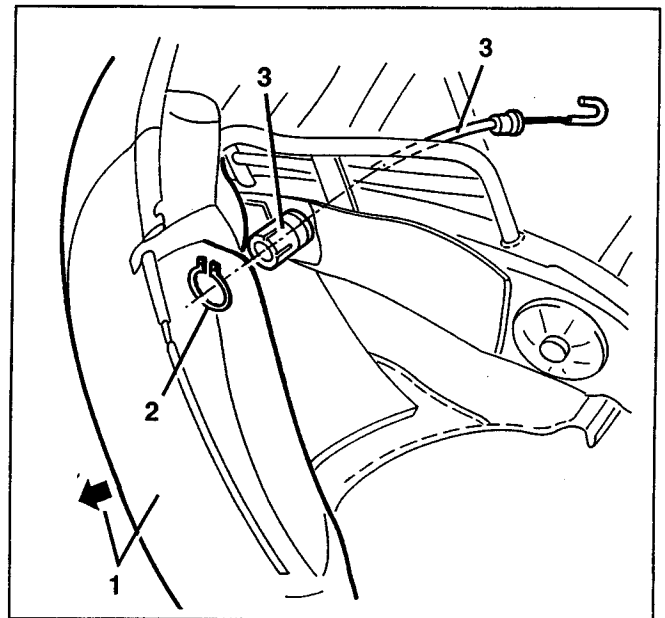
- Remove the seat (see specific paragraph).
- Remove the backrest centre cushion (see specific paragraph).
- 1. Using a drill, fitted with a regulator, remove the rivets (1a) and (1b) fixing the lumbar adjustment device.
- 2. Move the lumbar adjustment device.
- 3. Disconnect the end (3a) of the adjustment cable (3b).
- 4. Remove the lumbar adjustment device.



- If necessary, remove the adjustment cable with an attachment for the knob, proceeding as follows:
  1. Gently lift the retaining tabs for the right side of the cover.
  2. Disconnect and move the cover on the right side.
  3. Remove the metal rod from the cover.



1. Move the cover and the upholstery slightly.
2. Release the retaining ring for the knob attachment.
3. Remove the cable with the knob attachment.

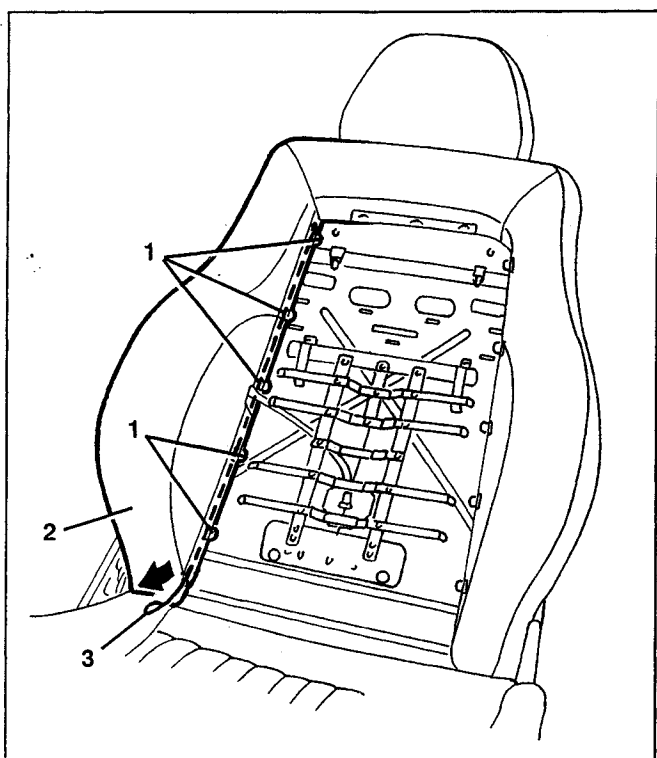


Proceed with refitting the lumbar adjustment device, reversing the order of the operations carried out for the removal.

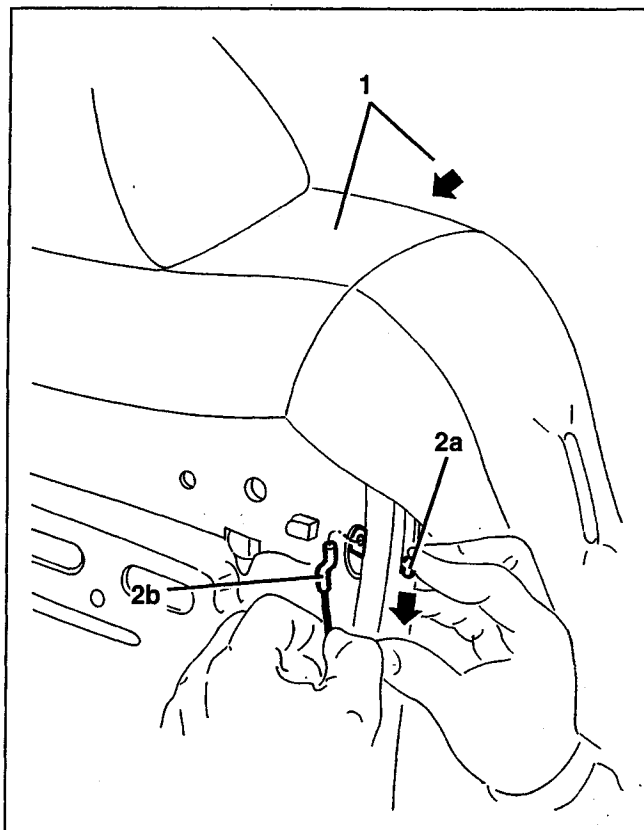
**BACKREST FOLDING CONTROL CABLE (LEFT OR RIGHT)**

**REMOVING - REFITTING**

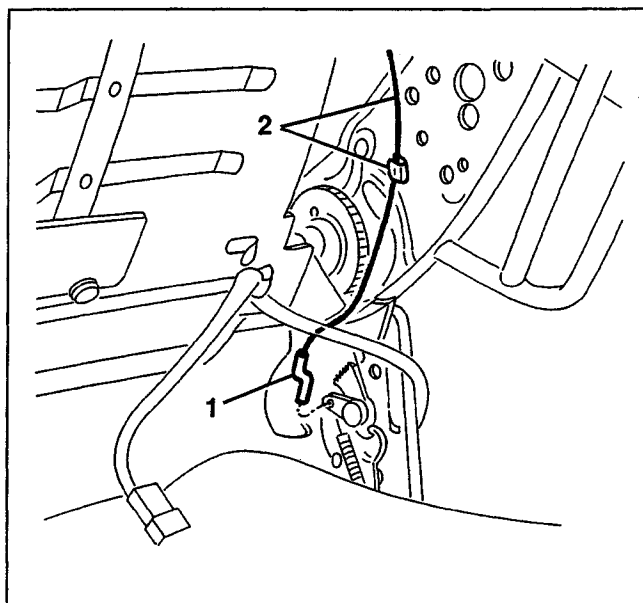
- Remove the seat (see specific paragraph).
  - Remove the backrest centre cushion (see specific paragraph).
  - To remove the cable from the backrest angle adjustment motor side, remove the actual motor (see specific paragraph).
  - To remove the cable on the opposite side, proceed as described in points 1 and 2 onwards.
1. Lift the cover retaining tabs slightly.
  2. Disconnect and move the cover and the upholstery.
  3. Remove the cover metal rod.



1. Fold the backrest forwards.
2. Lower the release lever (2a) and disconnect the upper end (2b) of the cable.



1. Disconnect the lower end of the cable.
2. Remove the cable from the retainer.



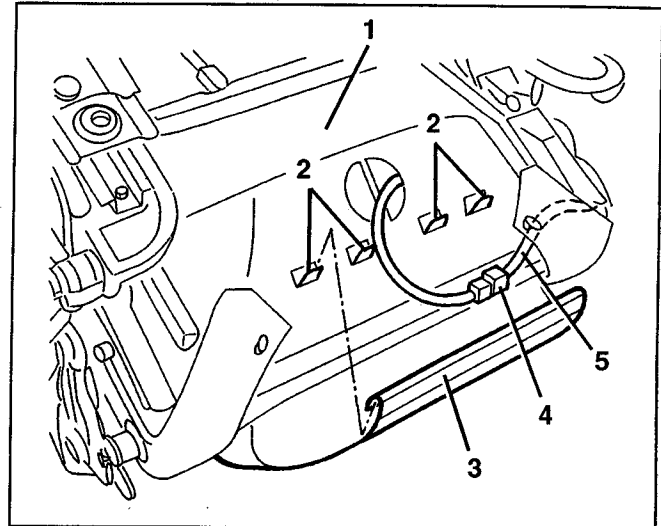
Proceed with refitting the backrest folding control cable, reversing the order of the operations carried out for the removal.



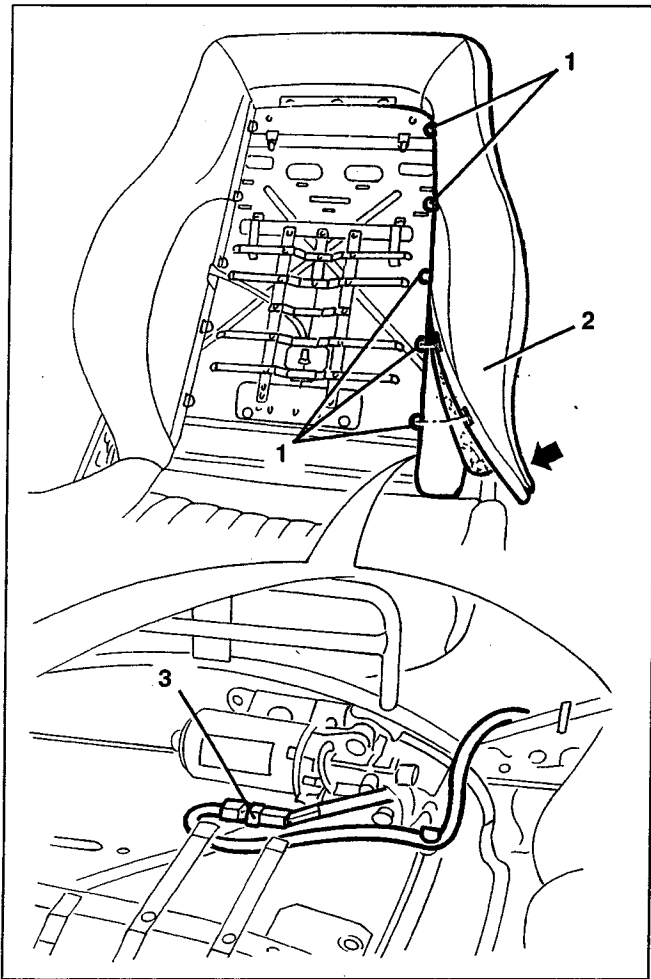
**BACKREST**

**REMOVING-REFITTING**

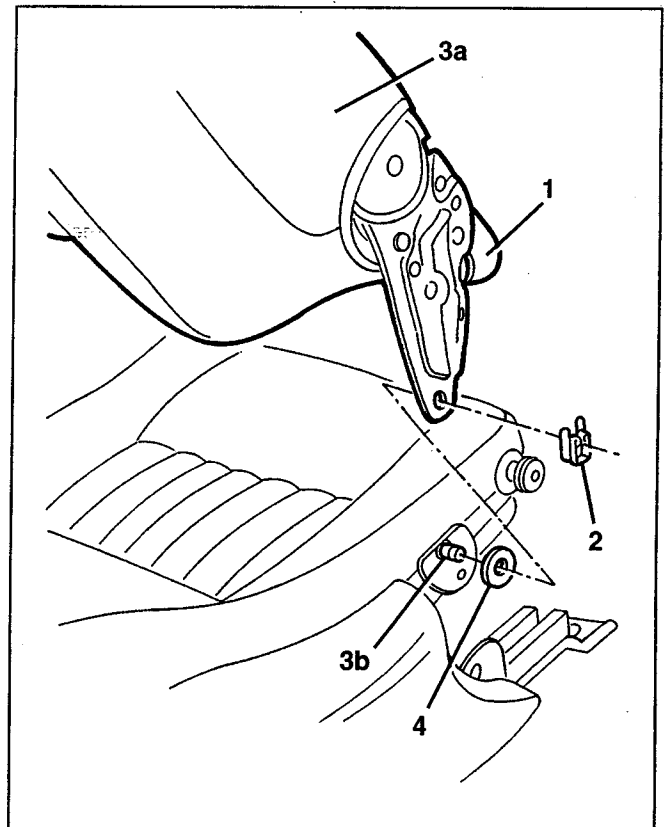
- Remove the seat (see specific paragraph).
  - Remove the backrest centre cushion (see specific paragraph).
1. Move the retaining tabs on the left side of the cover slightly.
  2. Disconnect and move the cover on the left side.
  3. Move and disconnect the electrical connection for the backrest angle adjustment motor.



1. Release the backrest and fold it forwards.
2. Working on both sides of the backrest, release the retaining springs from the pins.
3. Remove the backrest (3a) after having disconnected it from the pins (3b).
4. Recover the washers.



1. Fold the seat over.
2. Working underneath the cushion, gently open the cover rear retainers.
3. Disconnect the retainer profile and move it.
4. Disconnect the electrical connection for the backrest heater pad.
5. Release the electrical cable for the heater pad from the cushion.



Proceed with the refitting of the backrest, reversing the order of the operations carried out for the removal.

**LIFTING DEVICE (GAS SPRING)**

**REMOVING - REFITTING**

- Remove the seat (see specific paragraph).
- Check that the seat is raised to the upper end of travel position, as planned for the seat removal.
- 1. Fit special tool 1.820.628.000 on the gas spring, as illustrated in the diagram.
- 2. Tighten the nut (2a) for the tool (compressing the gas spring) until the pin (2b) for the gas spring is released from the housing in the tube (2c).

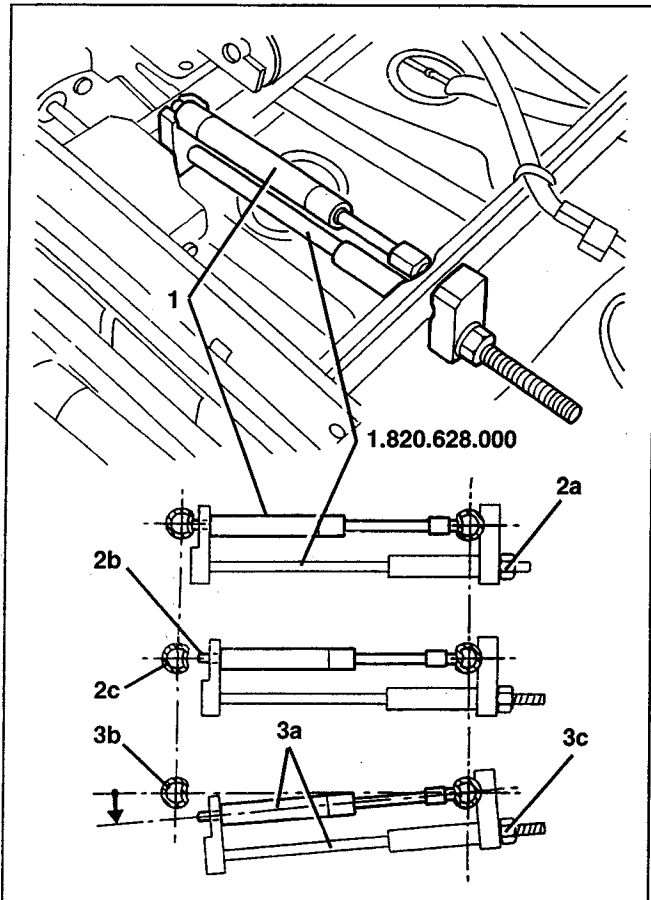


Keep the tool in position, whilst tightening the nut.  
Take great care when carrying out this operation.

- 3. Rotate the tool assembly with the gas spring (3a), as little as possible, until it is released from the tube (3b), then undo the nut (3c) until the gas spring is completely removed.



Keep the tool in position, whilst undoing the nut.



Proceed with refitting the gas spring, reversing the order of the operations carried out for the removal.

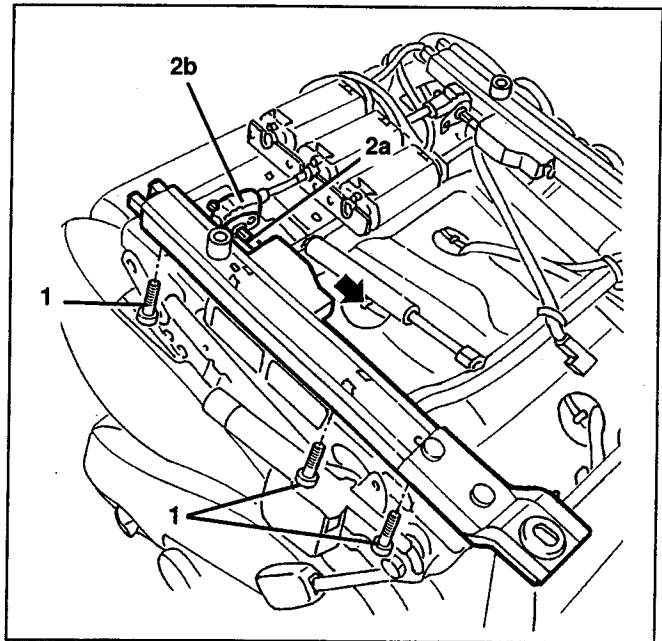


Keep the tool in position, whilst tightening and undoing the nut.  
Take great care when carrying out the operation.

**SEAT GUIDE (LEFT OR RIGHT)**

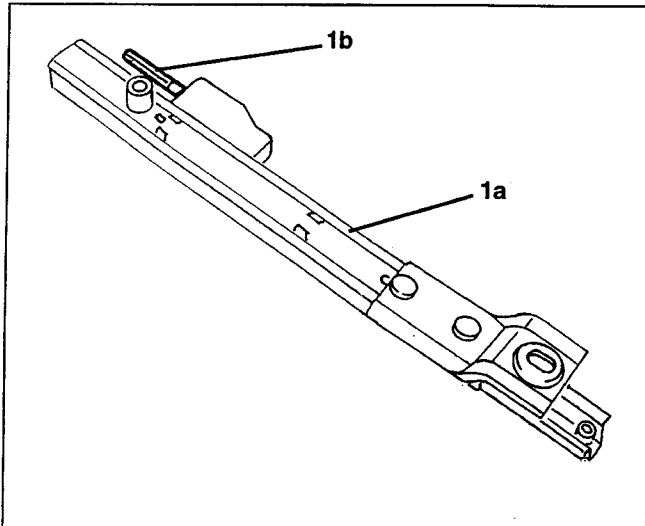
**REMOVING**

- Remove the seat (see specific paragraph).
- Check that the seat is raised as far as the upper end of travel position, as planned for the removal of the seat.
- 1. Undo the bolts fixing the guide.
- 2. Remove the guide, releasing the reduction unit (2b) splined shaft (2a).

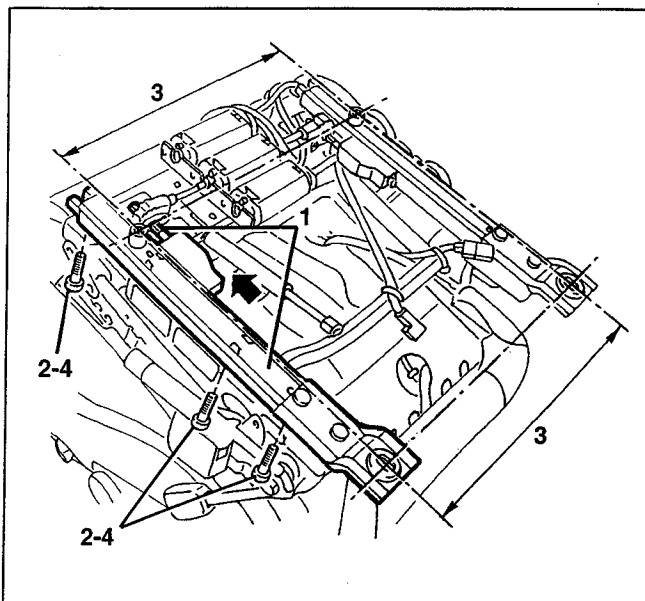


**REFITTING**

- 1. Place the guide (1a) to be fitted in the rear end of travel position, rotating the splined shaft (1b) manually.
- The other guide fitted on the seat should also be in the rear end of travel position, as planned for the removal of the seat.



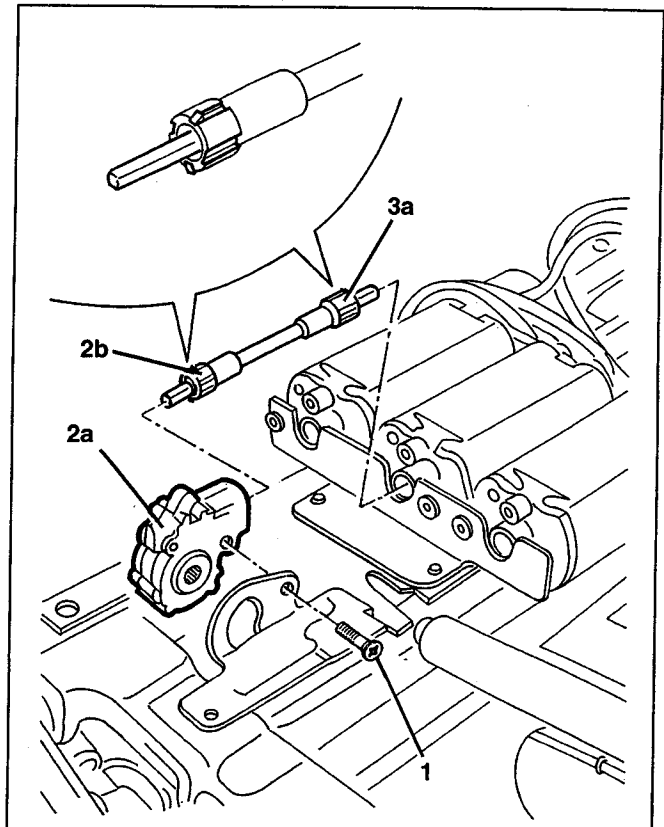
1. Position the guide on the seat, engaging the splined shaft in the reduction unit.
2. Tighten the bolts, but not fully.
3. Align the guides, checking that the axis between the front and rear openings is identical.
4. Tighten the bolts.



## SEAT SLIDING REDUCTION UNIT (LEFT OR RIGHT)

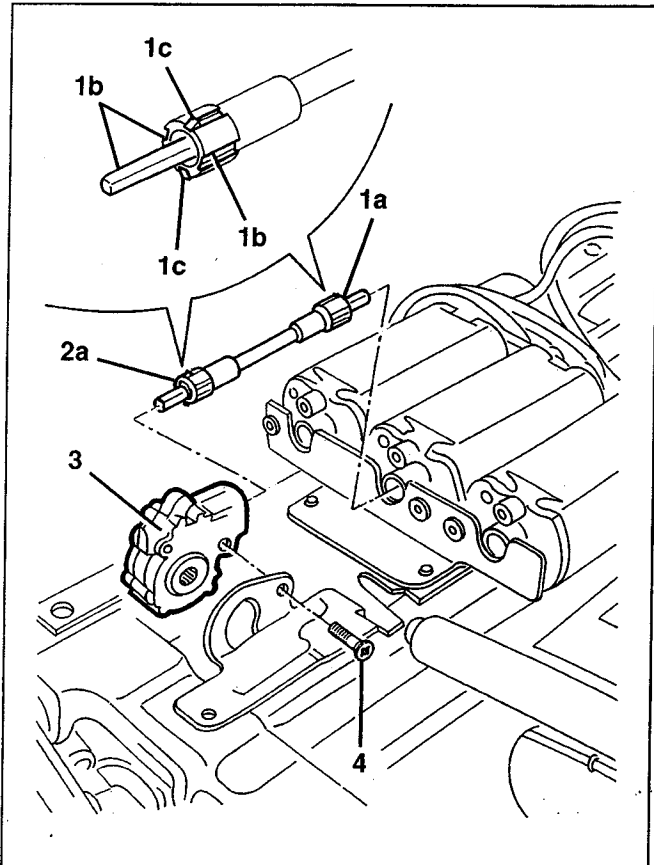
### REMOVING

- Remove the seat (see specific paragraph).
  - Remove the seat guide (see specific paragraph).
1. Undo the reduction unit fixing bolt.
  2. Remove the reduction unit (2a), disconnecting the end (2b) of the flexible shaft (pull).
  3. If necessary, remove the flexible shaft, disconnecting the end (3a) from the motor (pull).



### REFITTING

1. If removed, refit the flexible shaft on the motor, ensuring that the splining (1b) on the end (1a) coincides, then engage the retainers (1c).
2. Refit the end (2a) of the flexible shaft on the reduction unit, ensuring that the splining (1b) coincides, then engage the retainers (1c).
3. Position the reduction unit.
4. Tighten the bolt fixing the reduction unit.

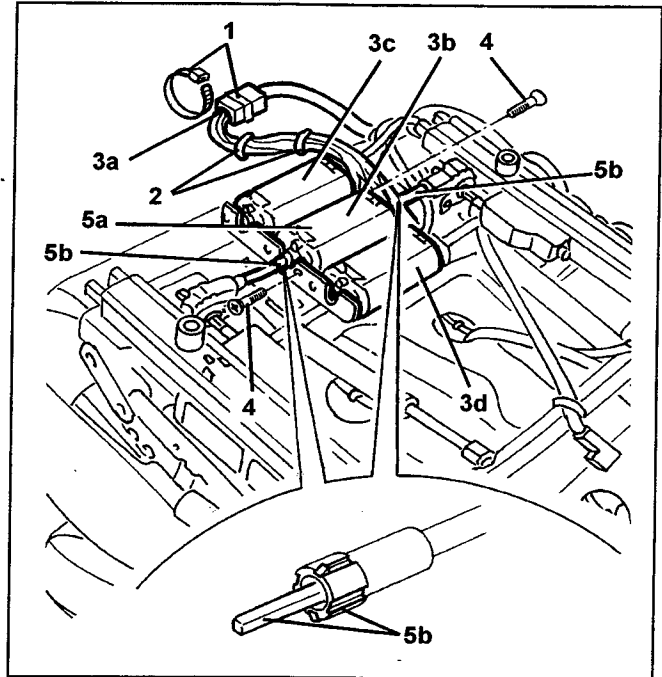


- Refit the seat guide (see specific paragraph).
- Refit the seat (see specific paragraph).

**SEAT SLIDING OR LIFTING MOTOR (ONE)**

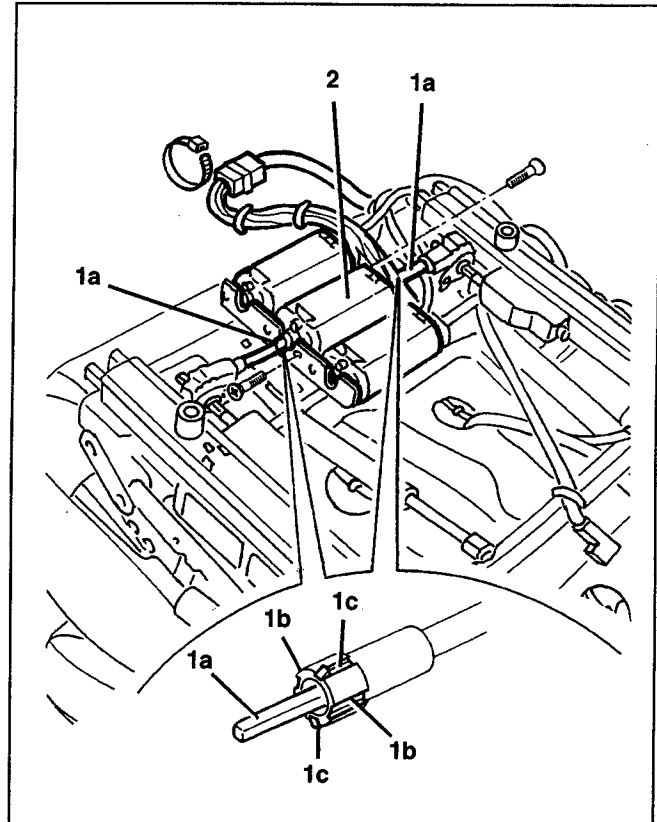
**REMOVING**

- Remove the seat (see specific paragraph).
- 1. Cut the band fastening the electrical connector for the three motors.
- 2. Cut the bands fastening the electrical cables for the three motors.
- 3. Extract the individual connections (3a) for the seat sliding motor (3b) to the front seat lifting motor (3c) or the rear seat lifting motor (3d) from the electrical connector.
- 4. Undo the bolt fixing the motor concerned with the removal.
- 5. Remove the motor (5a) involved in the removal, disconnecting it from the end(s) (5b) of the flexible shaft (pull).



**REFITTING**

1. Refit the end(s) (1a) of the flexible shaft(s) on the motor, ensuring that the splining (1b) coincides, then engage the retainers (1c).
2. Position the motor.

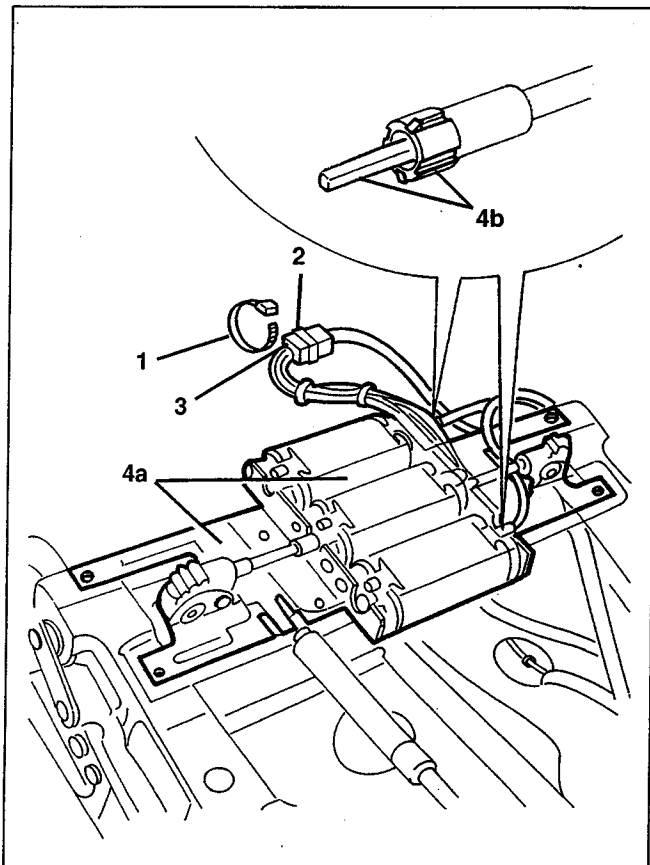


Proceed with refitting the motor, reversing the order of the operations carried out for the removal.

## BRACKET ASSEMBLY WITH THREE SEAT SLIDING OR LIFTING MOTORS

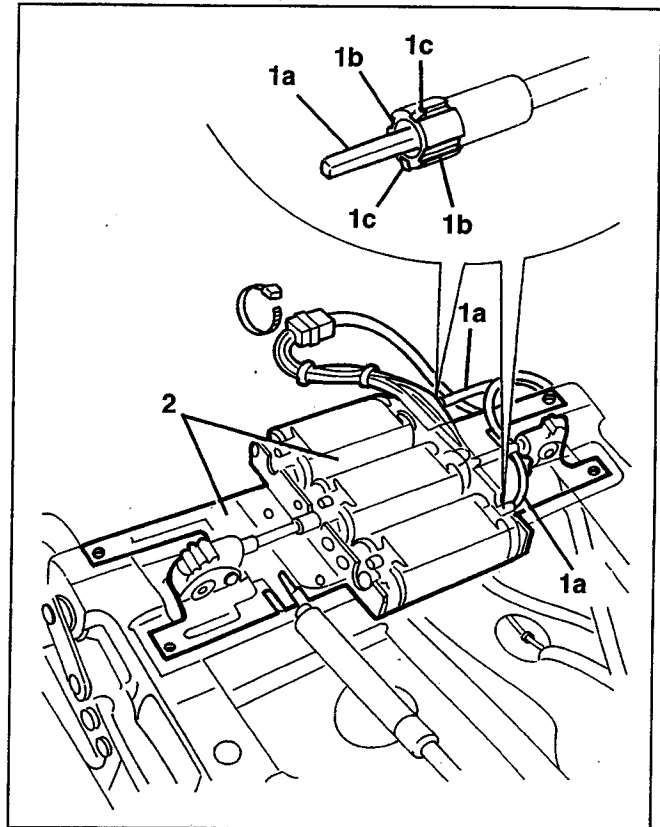
### REMOVING

- Remove the seat (see specific paragraph).
  - Remove the left and right seat guides (see specific paragraph).
1. Cut the band fastening the electrical connector for the three motors.
  2. Disconnect the electrical connector.
  3. Extract the individual connections for the backrest angle adjustment motor from the electrical connector.
  4. Remove the bracket unit with motors (4a), disconnecting the ends (4b) of the flexible shafts (pull).



### REFITTING

1. Refit the ends (1a) of the flexible shafts on the motors, ensuring that the splining (1b) coincides, then engage the retainers (1c).
2. Position the bracket with the motors.

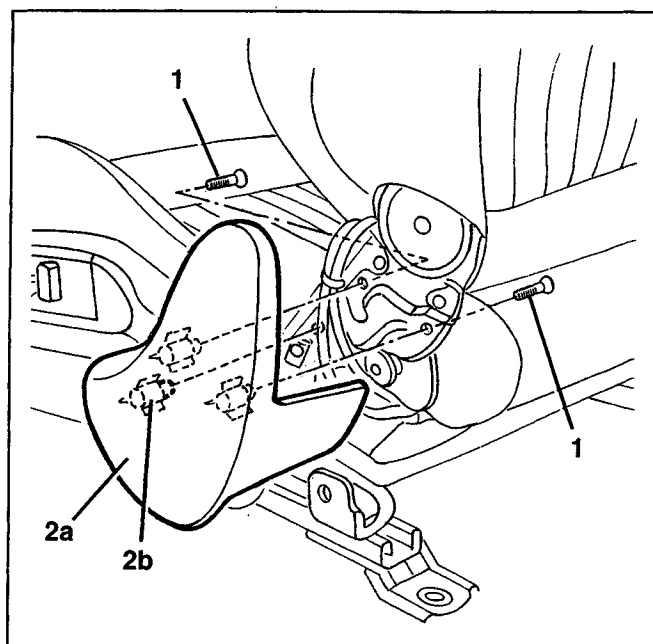
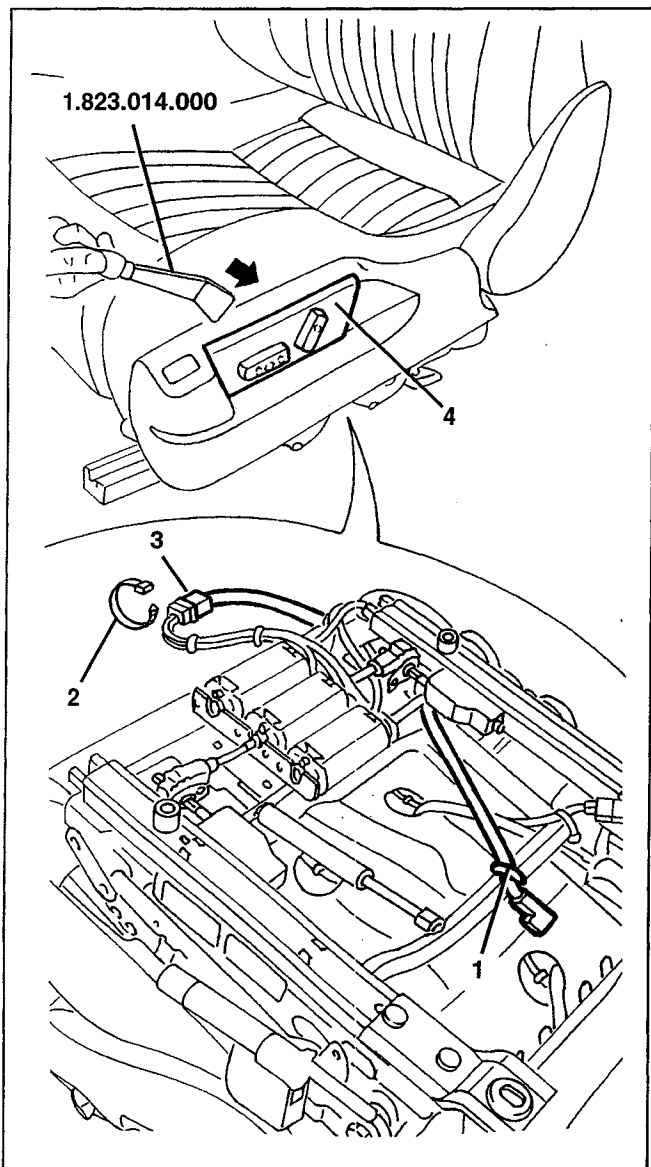


Proceed with refitting the bracket with the motors, reversing the order of the operations carried out for the removal.

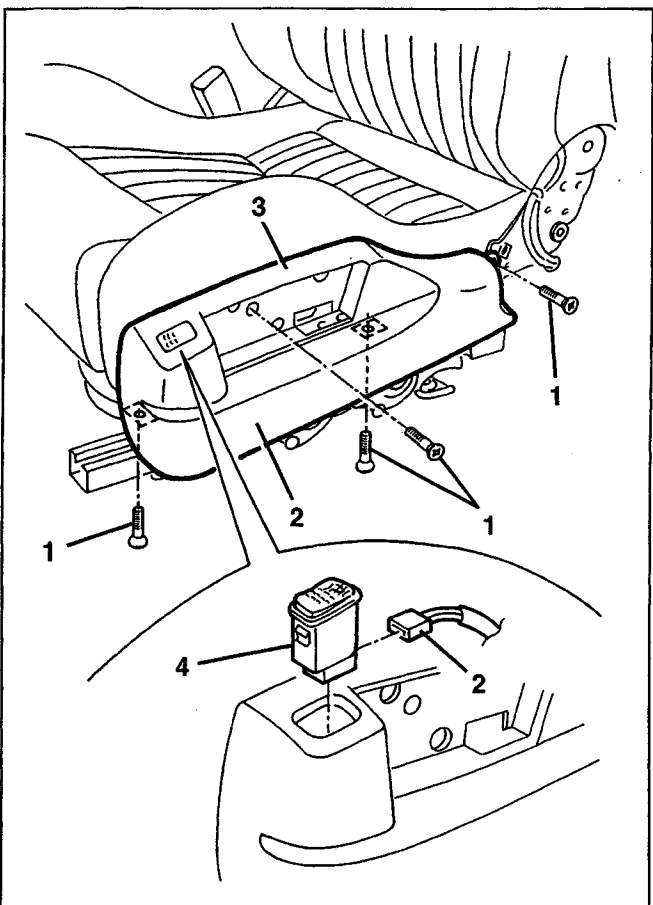
## SEAT MOVEMENT SWITCH UNIT


### REMOVING - REFITTING

- Remove the seat (see specific paragraph).
1. Cut the retaining band for the supply cable.
  2. Cut the retaining band for the electrical connector for the movement control motors.
  3. Disconnect the electrical connection.
  4. Using tool 1.823.014.000, remove the switch unit and recover it, complete with wiring.



1. Undo the bolts fixing the outer shield.
2. Gently move the outer shield and disconnect the electrical connection for the heater pad switch.
3. Recover the outer shield.
4. If necessary, remove the it from the retainers and remove the heater pad switch.



 Proceed with the refitting, reversing the order of the operations carried out for the removal.



Proceed with refitting the seat movement switch unit, reversing the order of the operations carried out for the removal.

## SEAT OUTER SHIELD

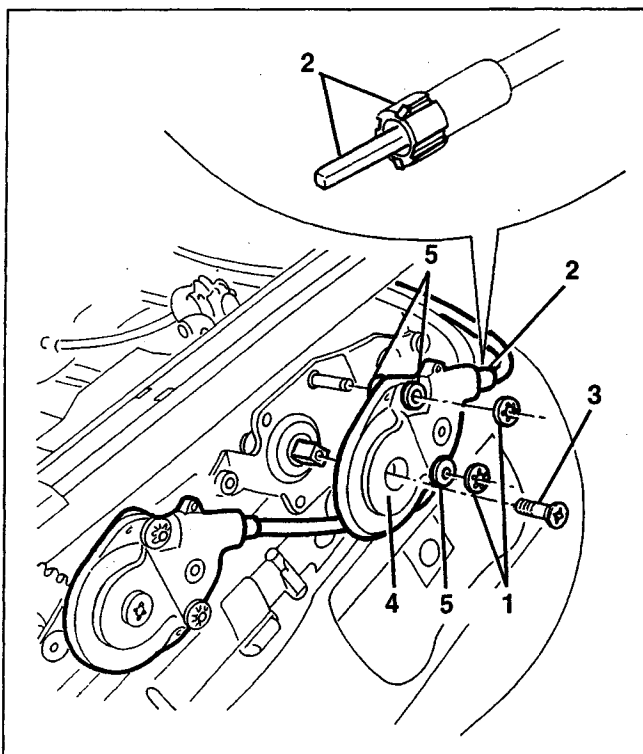
### REMOVING - REFITTING

- Remove the seat (see specific paragraph).
  - Remove the seat movement switch unit (see specific paragraph).
1. Undo the bolts fixing the trim to the backrest joints.
  2. Remove the trim (2a), disconnecting the retainer (2b).

## SEAT LIFTING REDUCTION UNIT (FRONT OR REAR)

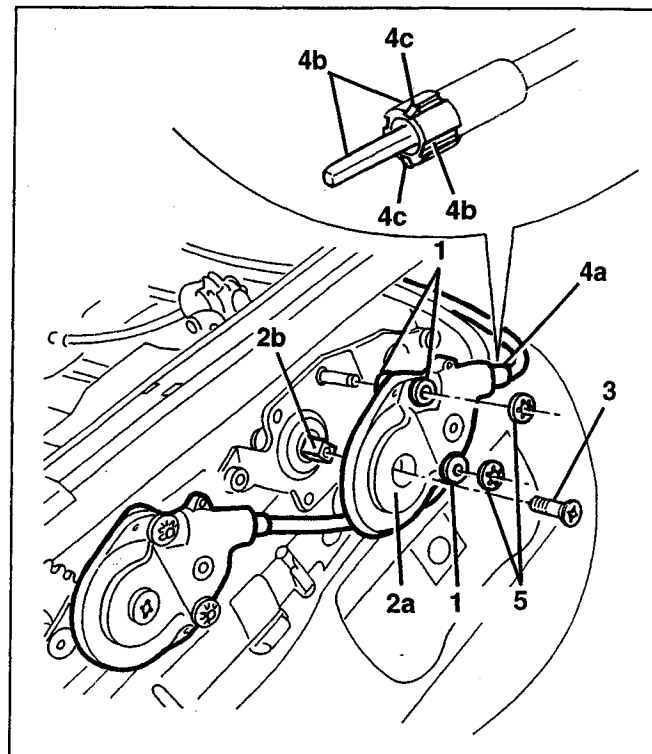
### REMOVING

- Remove the seat (see specific paragraph).
- Remove the seat movement switch unit (see specific paragraph).
- Remove the seat outer shield (see specific paragraph).
- 1. Release the reduction unit retaining springs.
- 2. Disconnect the end of the flexible shaft (pull).
- 3. Undo the bolt.
- 4. Remove the reduction unit.
- 5. Recover the rubber mountings.



### REFITTING

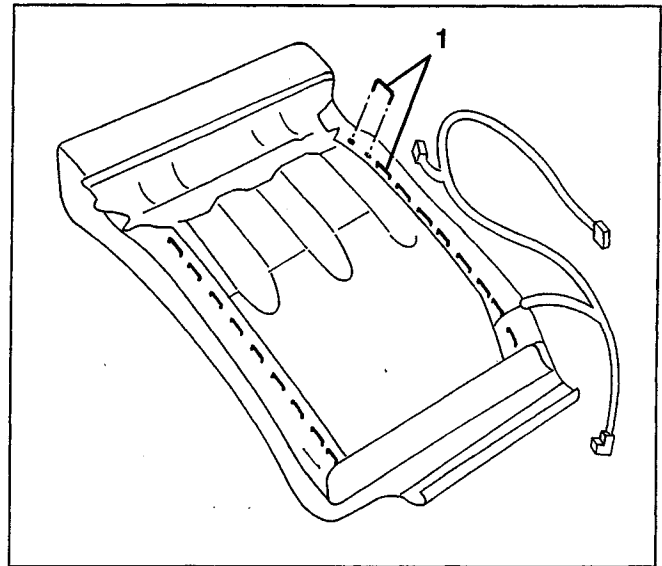
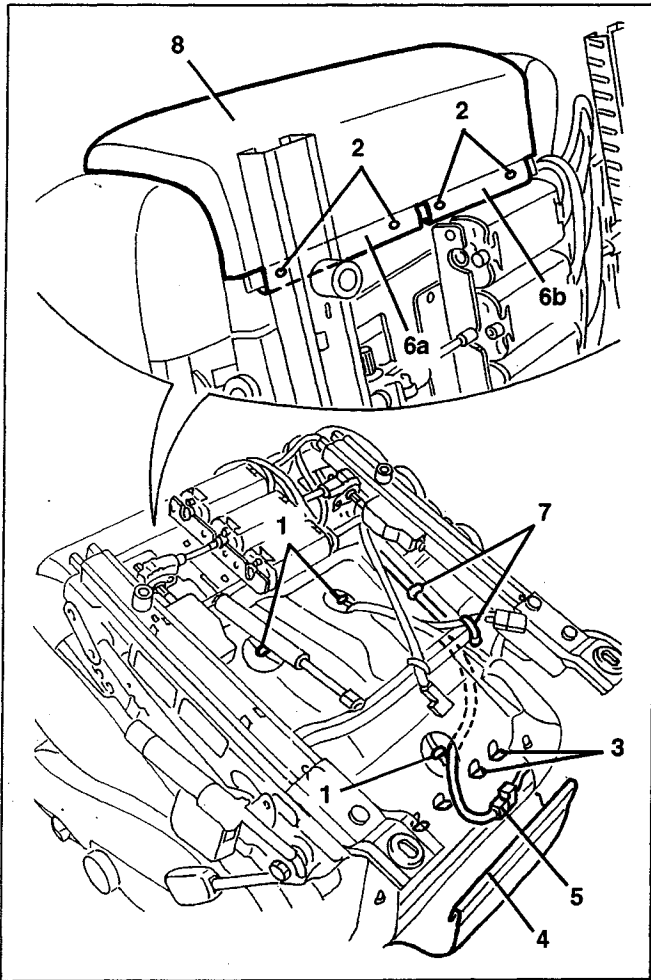
1. Fit the rubber mountings on the reduction unit.
  2. Fit the reduction unit (2a) in its housing with the rubber mountings; if necessary, rotate the socket (2b) using a spanner.
  3. Tighten the bolt.
  4. Refit the end (4a) of the flexible shaft on the reduction unit, ensuring that the splining (4b) at the end coincides, then engage the retainers (4c).
  5. Engage the reduction unit retaining springs.
- Refit the seat outer shield (see specific paragraph).
  - Refit the seat movement switch unit (see specific paragraph).
  - Refit the seat (see specific paragraph).



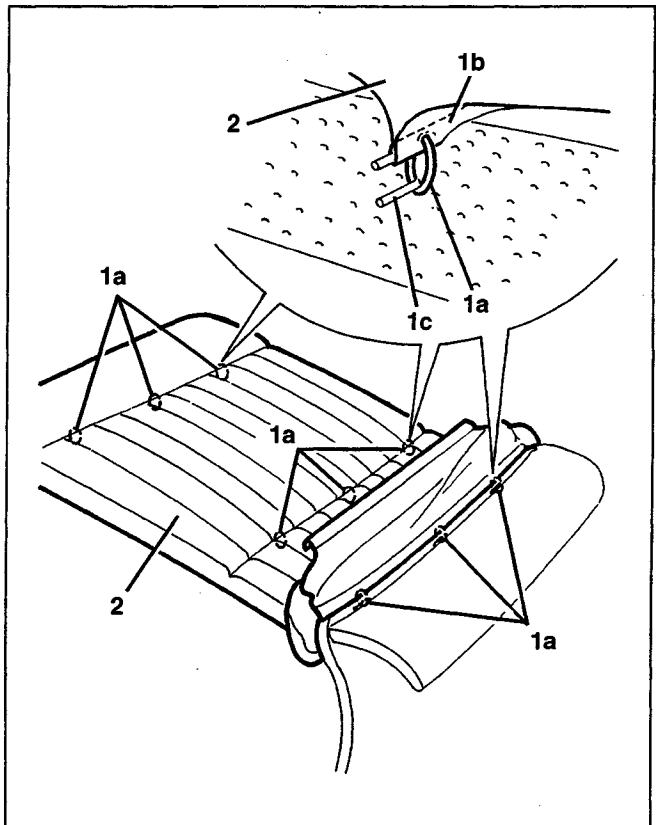
## SEAT CENTRE CUSHION

### REMOVING - REFITTING

- Remove the seat (see specific paragraph).
- Remove the seat movement switch unit (see specific paragraph).
- Remove the seat outer shield (see specific paragraph).
- 1. Working underneath the seat, cut the retaining rings.
- 2. Using a drill fitted with a regulator, remove the front rivets fixing the seat cover.
- 3. Gently open the rear cover retainers.
- 4. Disconnect the retainer profile and move it.
- 5. Disconnect the electrical connection for the backrest heater pad.
- 6. Disconnect the cover profiles (6a) and (6b).
- 7. Cut the retaining bands for the electrical cables.
- 8. Remove the centre cushion with heater pad and bridges from the seat.



1. Fold the cushion over and cut the retaining rings (1a) between the cover (1b) and the upholstery rods (1c).
2. Recover the cover.



Proceed with refitting the centre cushion, reversing the order of the operations carried out for the removal.

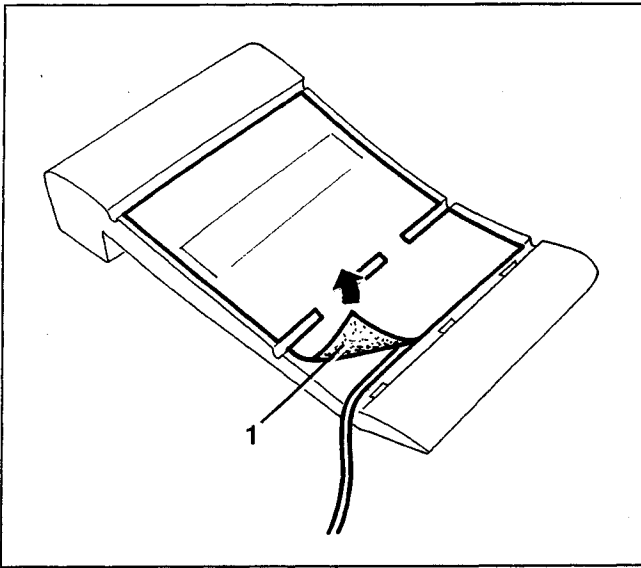
## SEAT CENTRE UPHOLSTERY COVER AND HEATER PAD

### REMOVING - REFITTING

- Remove the seat (see specific paragraph).
  - Remove the seat movement switch unit (see specific paragraph).
  - Remove the seat outer shield (see specific paragraph).
  - Remove the seat centre cushion (see specific paragraph).
1. Remove the clips fastening the cover to the upholstery.



1. If necessary, detach the heater pad from the upholstery.

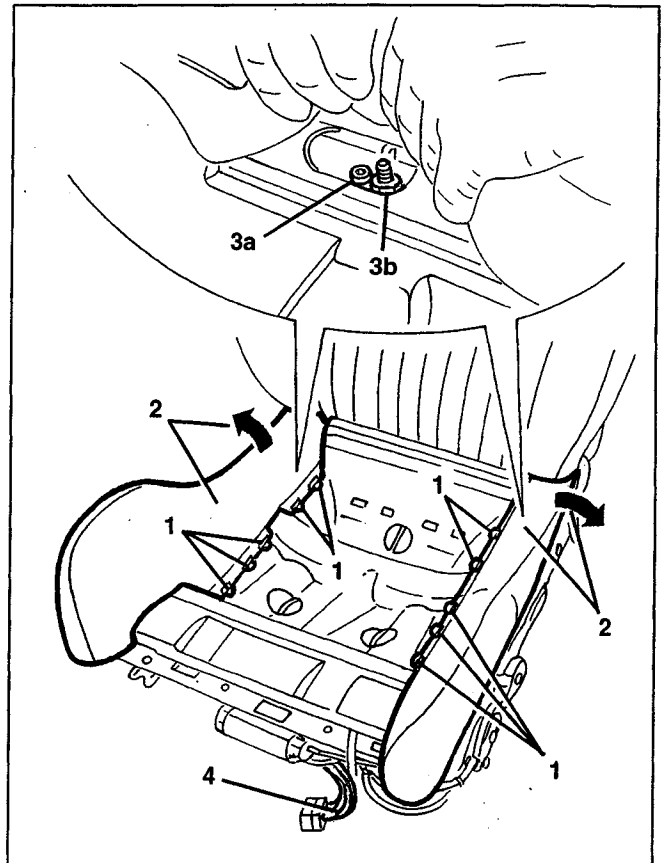


Proceed with refitting the heater pad and cover, reversing the order of the operations carried out for their removal.

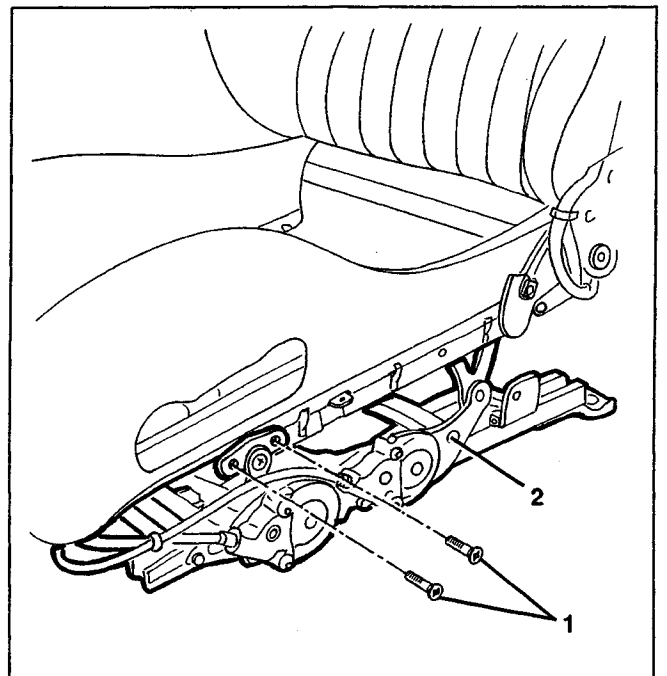
## SEAT LIFTING UNIT

### REMOVING - REFITTING

- Remove the seat (see specific paragraph).
  - Remove the seat movement switch unit (see specific paragraph).
  - Remove the seat outer shield (see specific paragraph).
  - Remove the seat centre cushion (see specific paragraph).
1. Gently lift the cover retaining tabs.
  2. Disconnect and move the seat cover slightly.
  3. Working on both sides of the seat, undo the bolts (3a) and the nuts (3b).
  4. Extract the individual electrical connections for the backrest angle adjustment motor.



1. Undo the bolts on both sides of the seat.
2. Remove the seat lifting unit.

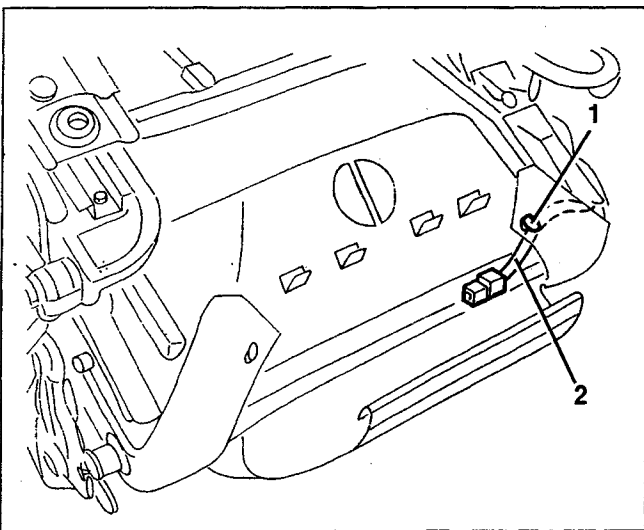


Proceed with refitting the seat lifting unit, reversing the order of the operations carried out for the removal.

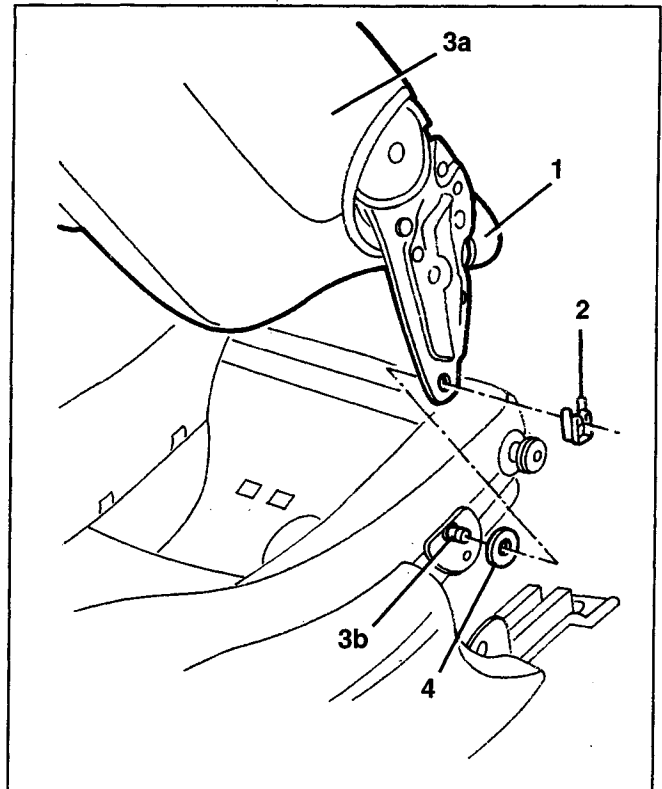
## SIDE (RIGHT OR LEFT) SEAT COVER

### REMOVING - REFITTING

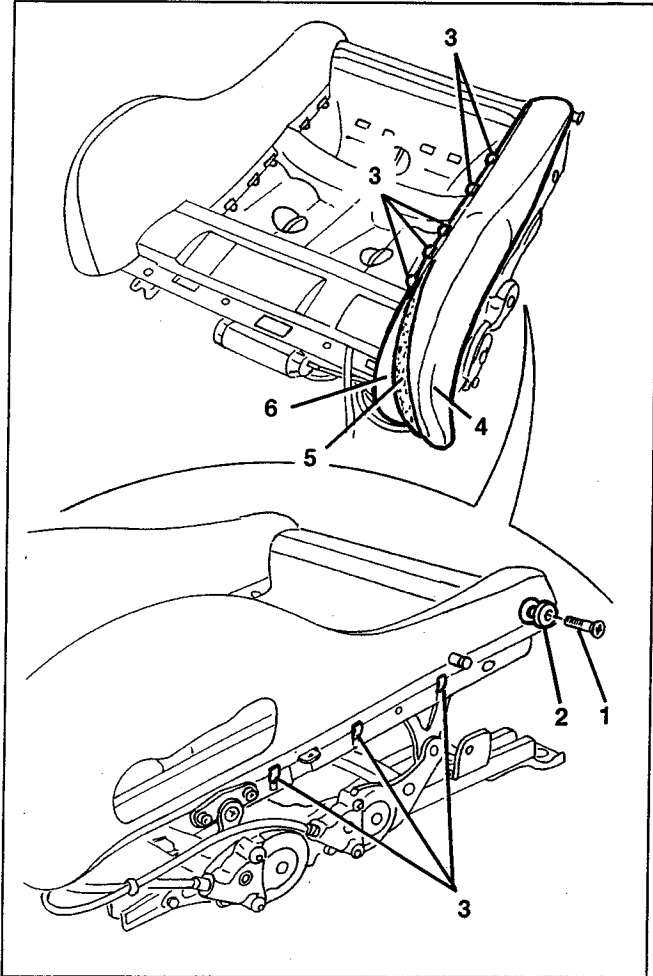
- Remove the seat (see specific paragraph).
  - Remove the seat movement switch unit (see specific paragraph).
  - Remove the seat outer shield (see specific paragraph).
  - Remove the seat centre cushion (see specific paragraph).
1. Working at the rear of the seat, disconnect the cover to be removed from the retainer.
  2. Release the wiring for the backrest heater pad from the cushion.



1. Release the backrest and fold it forwards.
2. Working on both sides of the backrest, release the retaining springs from the pins.
3. Remove the backrest (3a) after having disconnected it from the pins (3b).
4. Recover the washers.



1. Undo the bolt.
2. Remove the attachment pin.
3. Gently raise the inner and outer retaining tabs for the cover to be removed.
4. Disconnect and remove the seat side cover.
5. Remove the non fabric fabric.
6. If necessary, remove the upholstery, detaching it from the frame.



If the upholstery has been removed, before refitting it on the frame, it is necessary to:

- clean any residues of upholstery which have not been removed from the frame
- apply a thin layer of upholstery adhesive to the frame, using a brush.



Proceed with refitting the seat side cover, reversing the order of the operations carried out for the removal.



To facilitate the refitting of the cover on the upholstery, position the non fabric fabric correctly which facilitate the sliding and correct positioning of the actual cover.



## INTERIOR TRIM

### DASHBOARD

#### DESCRIPTION

The dashboard of the new car is a one-piece type covered with soft material which is appealing to the eye and touch.

The design of the dashboard is the result of detailed ergonomic studies to optimise the volumes, the arrangement of the controls and the classical sporting style.

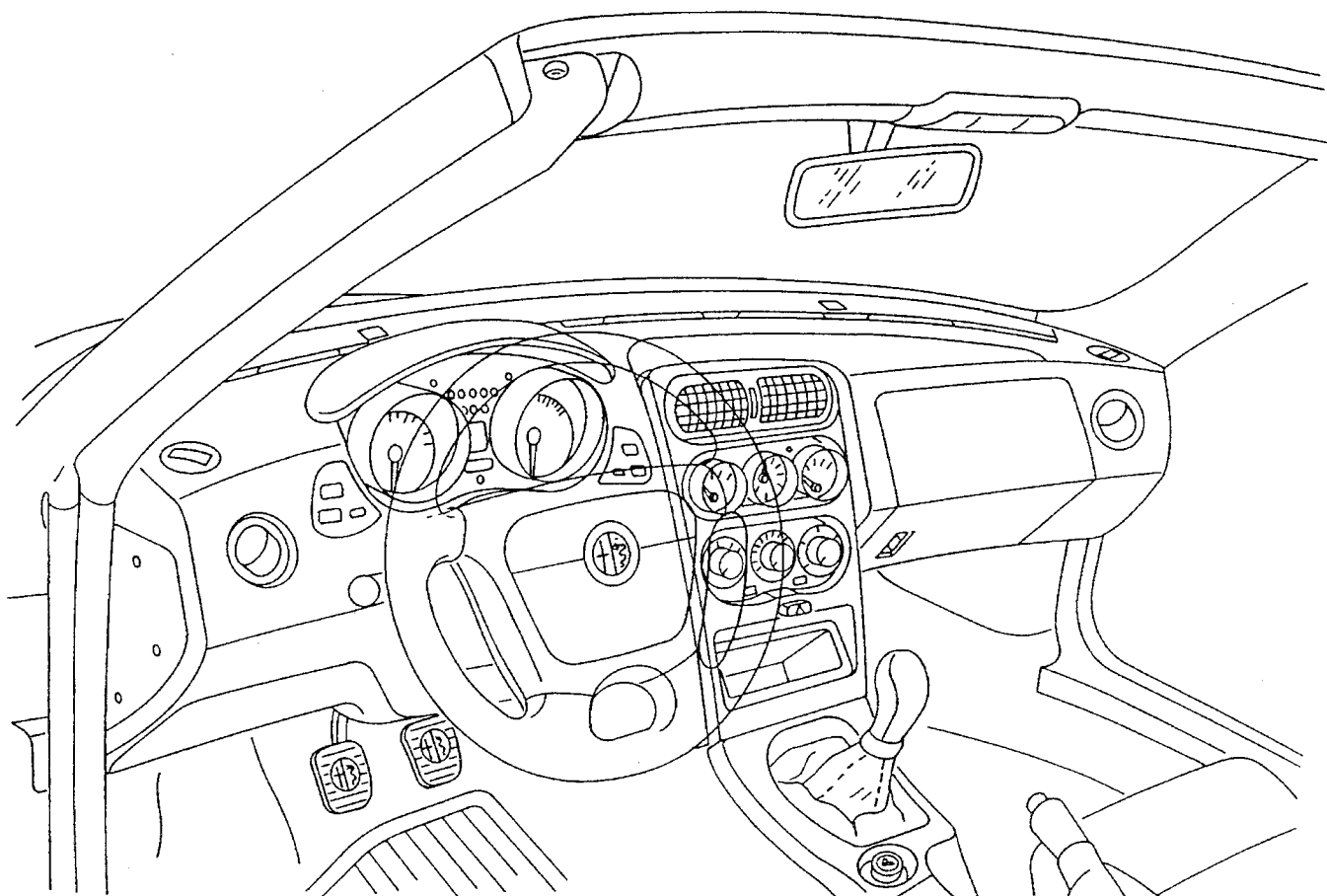
The main instruments are housed in the instrument cluster protected by an upper hood fastened to the dashboard.

The secondary controls are housed in the centre console in a position that has characterised the more sporty Alfa Romeo models of the past.

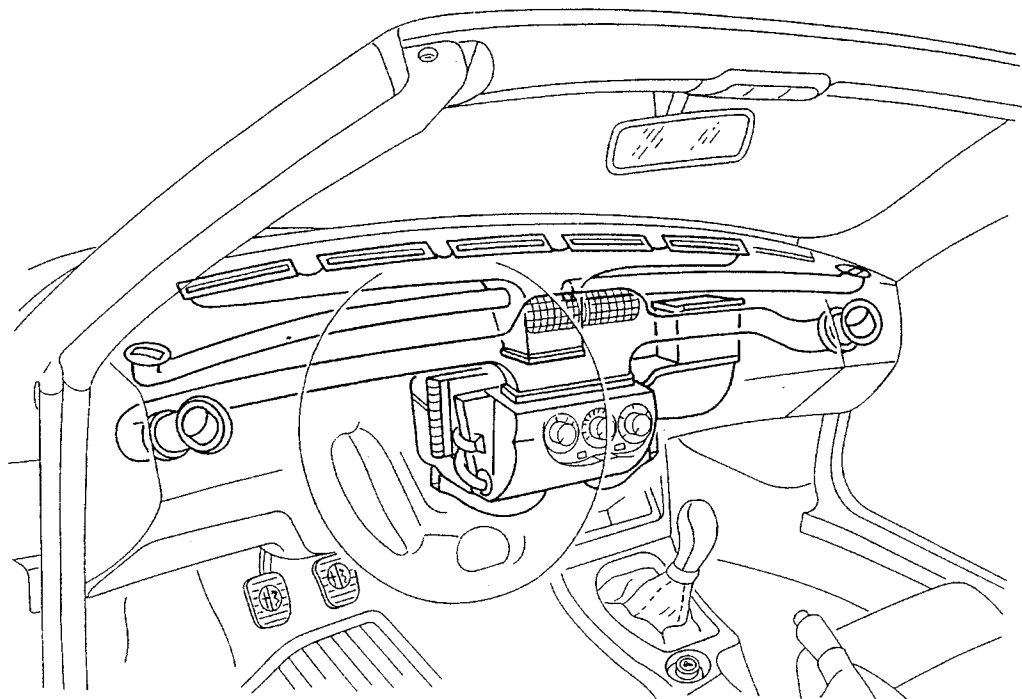
The centre console blends perfectly with the tunnel console which contains the ashtray, cigar lighter, door mirror control and sunroof switch (GTV).

In view of reaching high standards of safety, the dashboard and all the interior components have been designed to dramatically reduce the consequences of violent impact connected with the various hypothesizable accidents. Rounded shapes, finishing without protrusions, soft and yielding components are not only a styling feature of the car, but they make the passenger compartment "friendly" to driver and passengers alike.

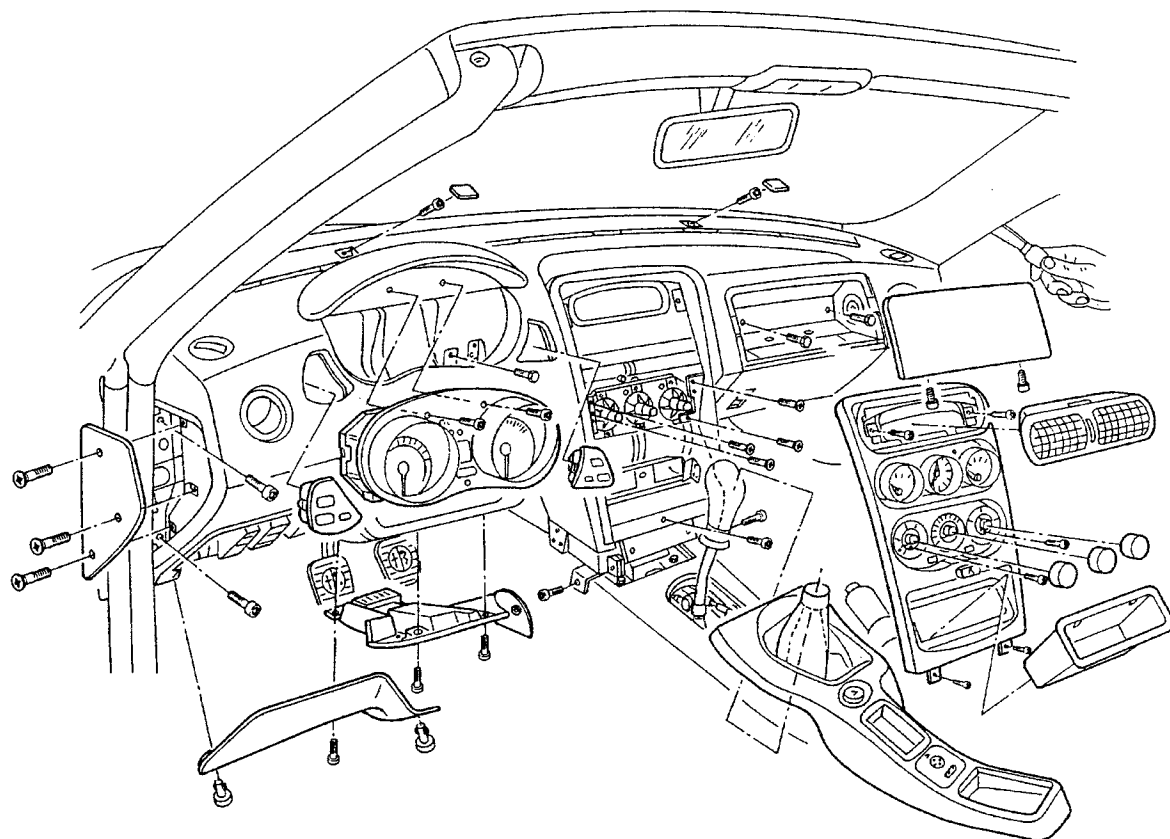
The upper section of the dashboard contains the Air Bag module housing compartment (optional).



Below the dashboard are the housings for the heater-conditioner unit and the stiff air distribution ducts to the various outlets in the passenger compartment. For further information see "Group 50 - Auxiliary Components".

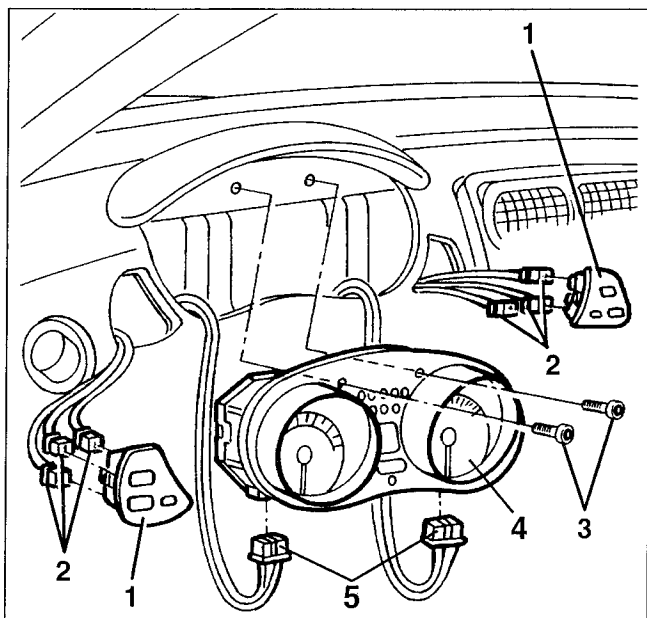


The illustration below is a "blown-up" view showing the parts comprising the dashboard and the location of the various fastening points.

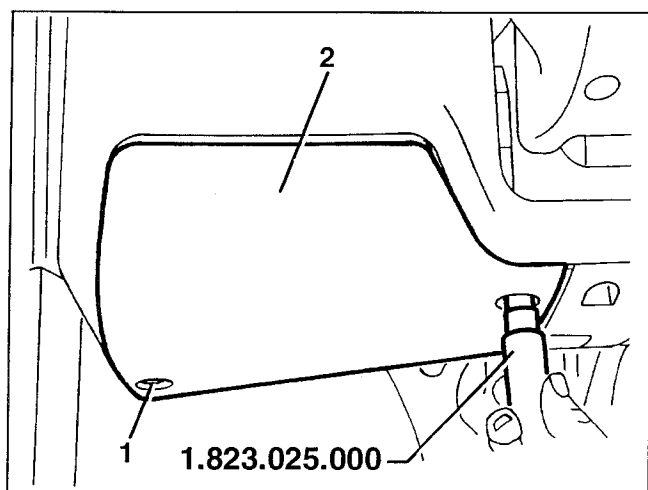


**REMOVAL / REFITTING (to '97 versions)**

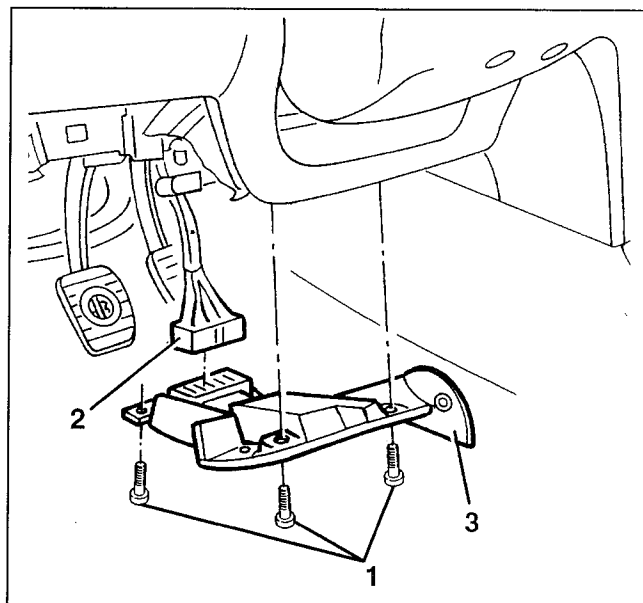
- Remove the centre console (see specific paragraph).
  - Remove the Steering wheel and Half covers (see Group 41).
  - Remove the Lever control unit (see Group 55).
  - Remove the Dashboard Trim Panel (cars without passenger's Air Bag - see specific paragraph).
  - Remove the Air Bag device, if installed, (see GROUP 55).
  - To facilitate operations it is advisable to remove the seats (see specific paragraph).
1. Using tool 1.823.014.000, prise and remove the two trim panels of the switch panel.
  2. Disconnect the electrical connections.
  3. Slacken the two instrument panel fastening screws.
  4. Remove the instrument panel.
  5. Disconnect the electrical connections.



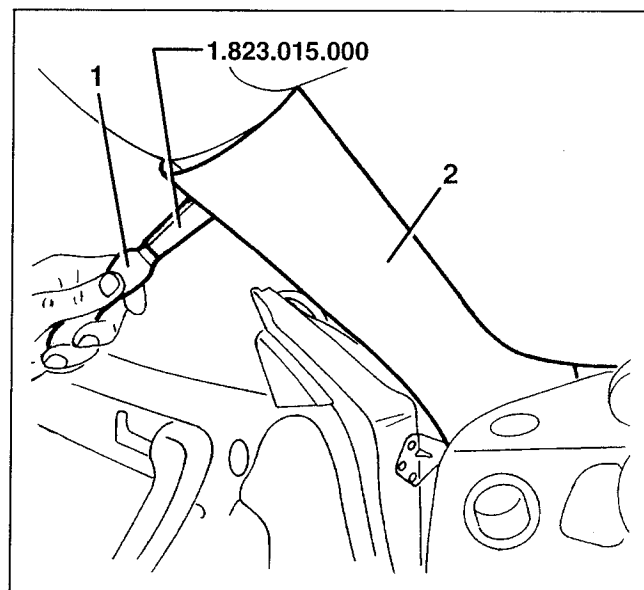
1. Using tool N°1.823.025.000 turn the three bayonet pins fastening the fusebox cover.
2. Remove the fusebox cover.



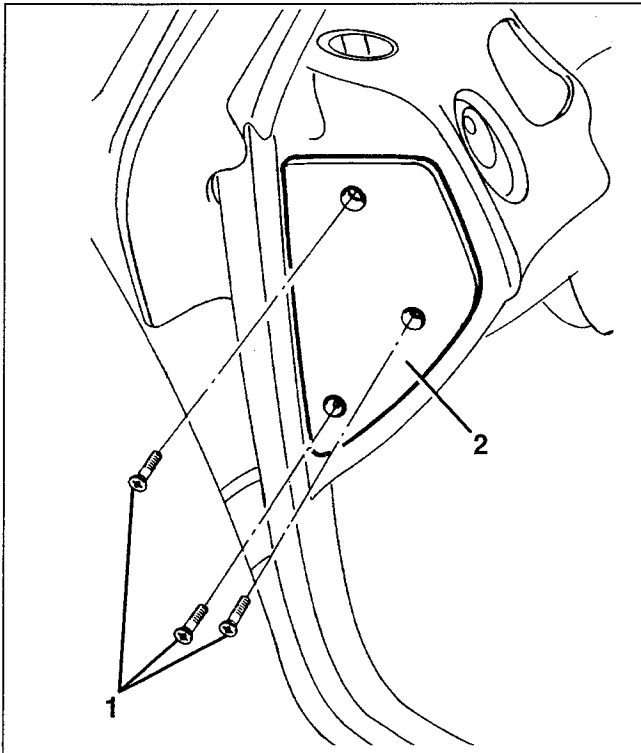
1. Slacken the screws and lower the dashboard lower cover.
2. Disconnect the roof lamp electrical connection.
3. Remove the cover.



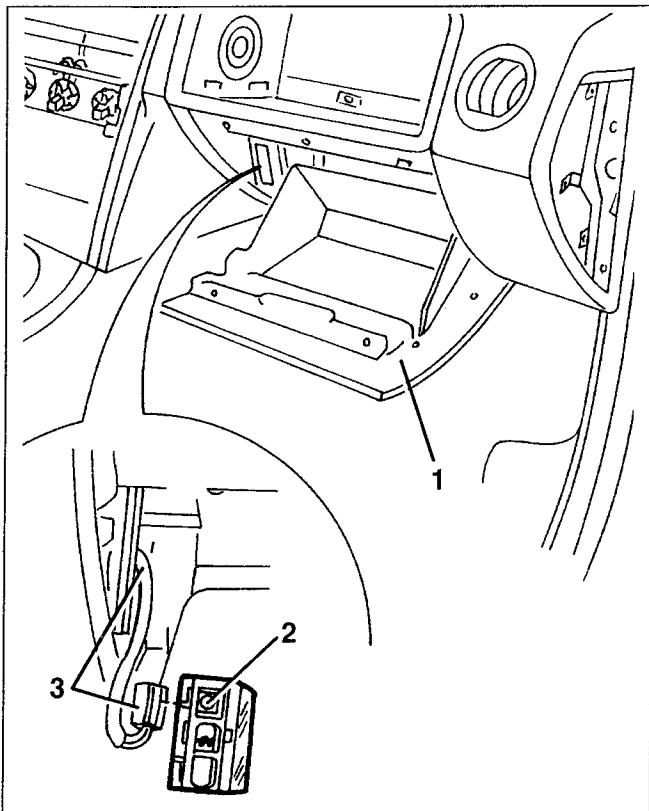
1. Using tool N° 1.823.015.000 remove the pins fastening the two pillar trims.
2. Remove the two pillar trims.



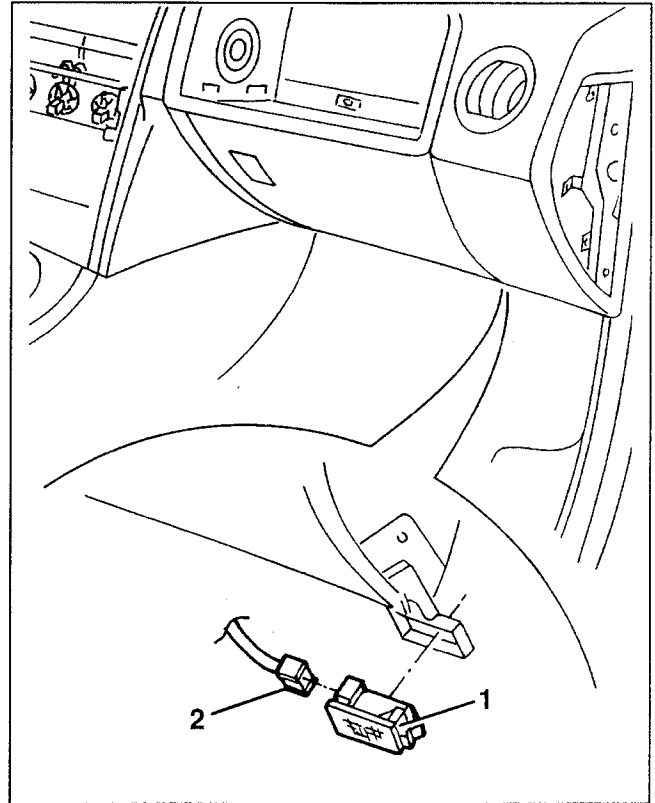
1. Working on each side of the dashboard, slacken the three screws fastening the plate.
2. Remove the plate.



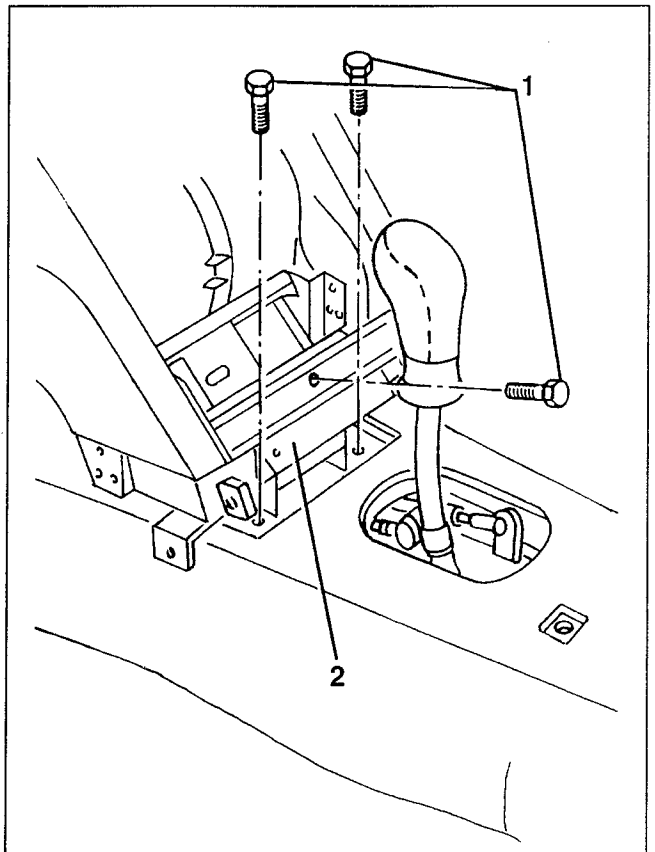
1. Open the glovebox.
2. Remove the lamp unit complete.
3. Disconnect the electrical connection and release the wiring from the slot.



1. Remove the right lower lamp.
2. Disconnect the electrical connection.

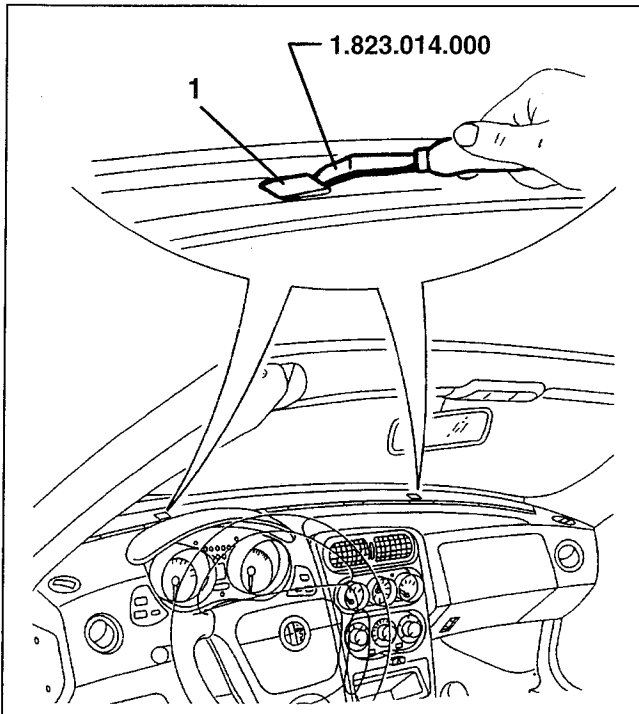


1. Slacken the three screws fastening the dashboard lower bracket.
2. Remove the bracket.

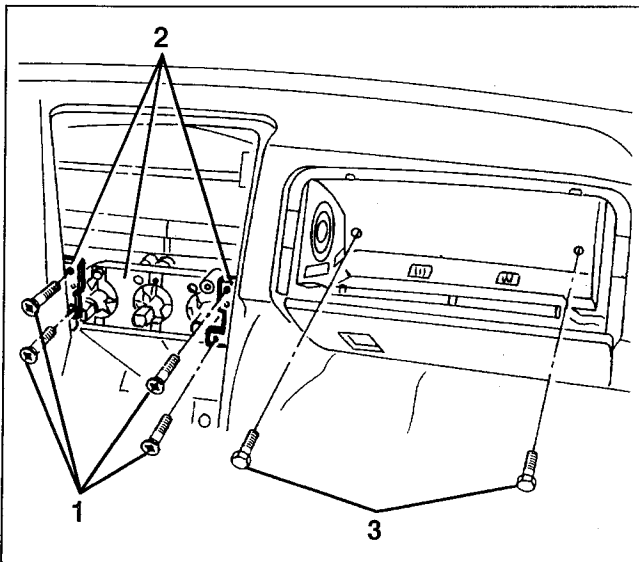




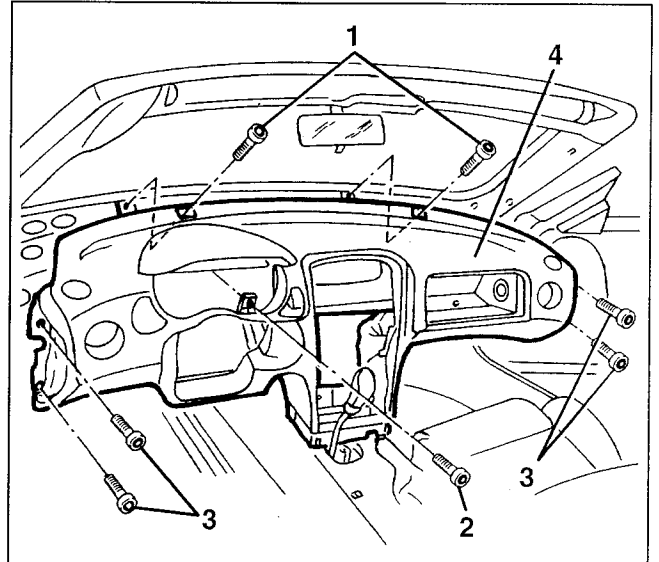
1. Using tool N° 1.823.014.000 remove the dashboard upper covers.



1. Slacken the four screws fastening the climate control unit panel.
2. Release the panel from the side brackets.
3. Slacken the two screws on the bottom of the passenger's side Air Bag compartment.



1. Slacken the two upper screws.
2. Slacken the centre screw.
3. Slacken the two side screws, on each side.
4. Remove the dashboard (to be carried out by two operators).

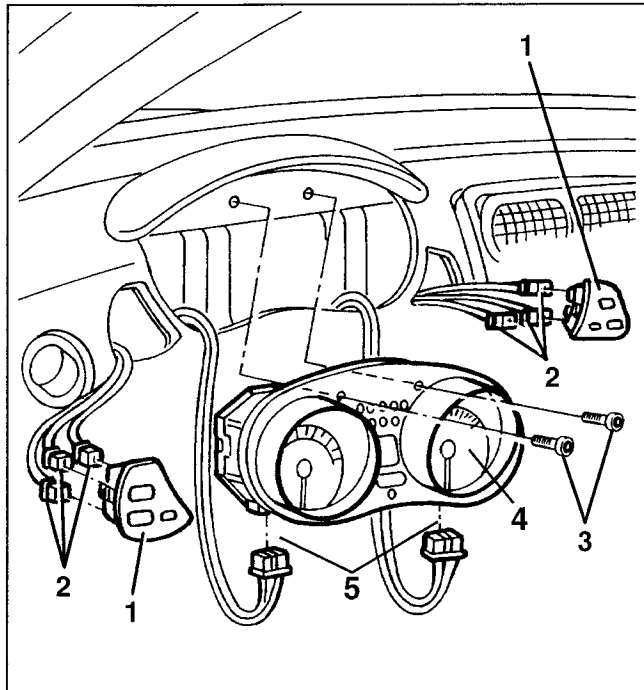


Lubricate the coupling surface with the climate control unit with vaseline.  
Refit the dashboard reversing the sequence followed for removal.

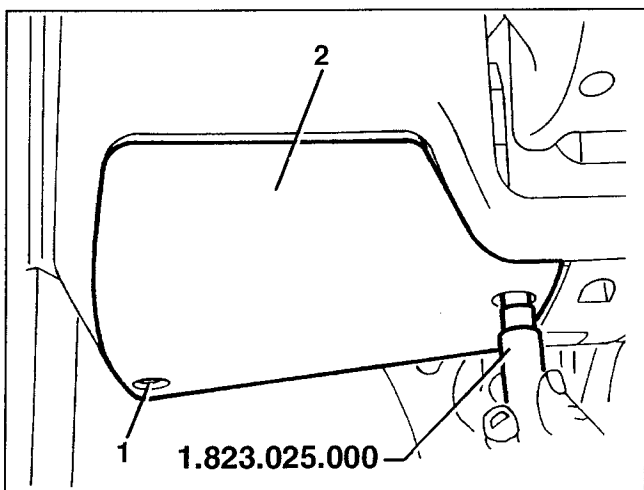
### REMOVAL/REFITTING ('98 versions)

- Remove the tunnel unit (see specific paragraph).
- Remove the central unit (see specific paragraph).
- Remove the steering wheel and the half casings (see ASSEMBLY 41).
- Remove the steering column stalk (see ASSEMBLY 55).
- Remove the dashboard panel (vehicles without passenger side airbag - see specific paragraph).
- Remove the passenger side airbag device, where fitted (see ASSEMBLY 55).
- Remove the passenger side airbag disable switch (see ASSEMBLY 55).
- Remove the climate control assembly (see ASSEMBLY 50).
- Remove the auxiliary instrument panel (see ASSEMBLY 55).

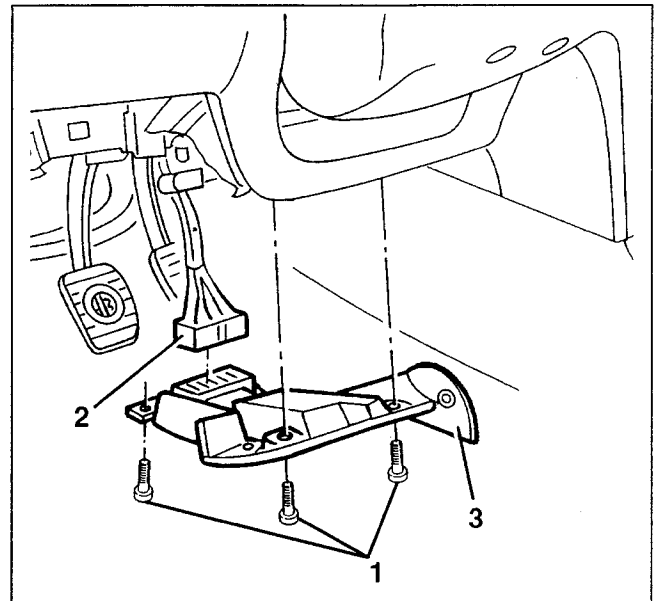
1. Use tool 1.823.014.000 to lift and remove the two instrument panel switch panels.
2. Disconnect the electrical connections.
3. Loosen the two instrument panel fastening screws.
4. Remove the panel.
5. Disconnect the electrical connections.



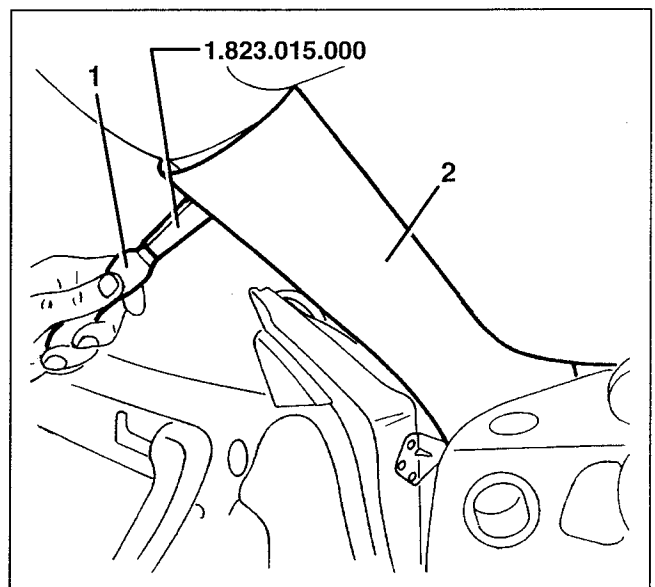
1. Use tool no. 1.823.025.000 to turn the three bayonet pins fastening the valve guard.
2. Remove the valve guard.



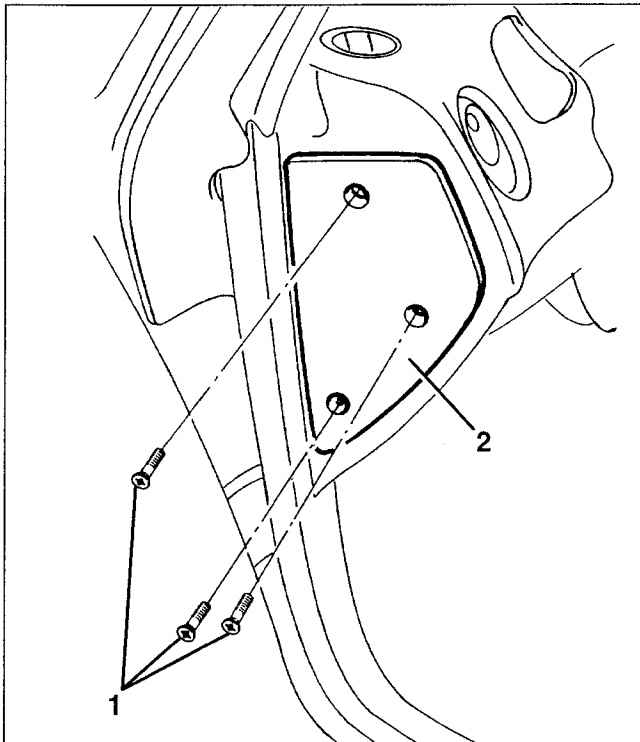
1. Loosen the screws and lower then lower dashboard guard.
2. Disconnect the ceiling light electrical connection.
3. Take the guard.



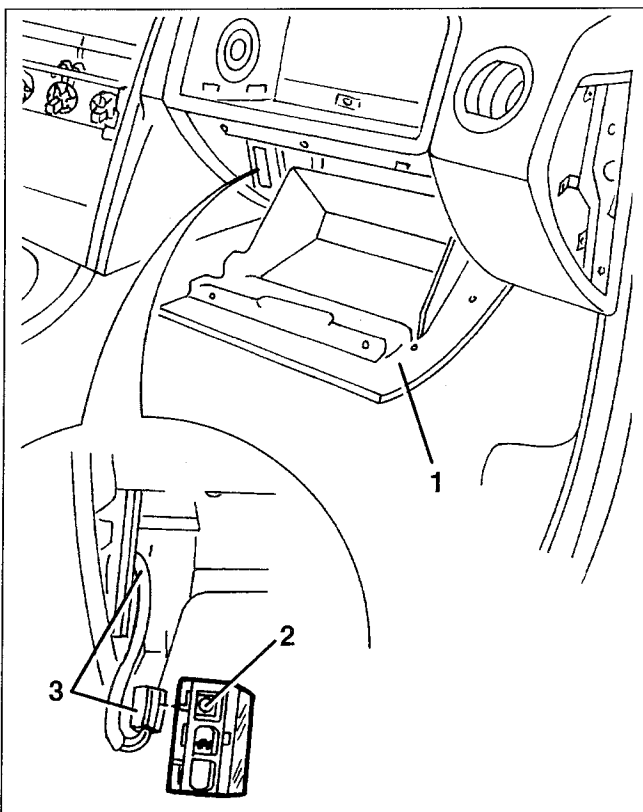
1. Use tool no. 1.823.015.000 to lift the pins fastening the two riser panels.
2. Remove the two riser panels.



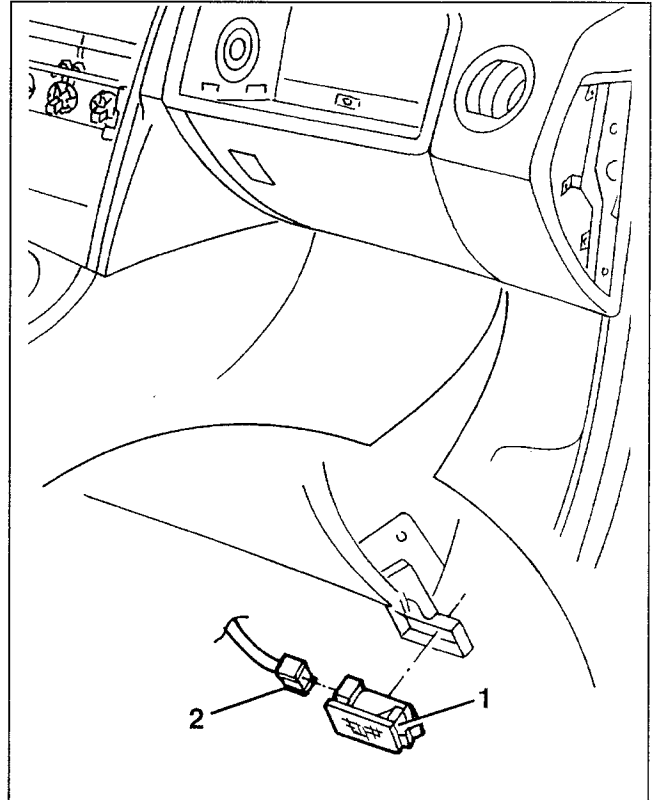
1. From each side of the dashboard, loosen the three screws fastening the plate.
2. Remove the plate.



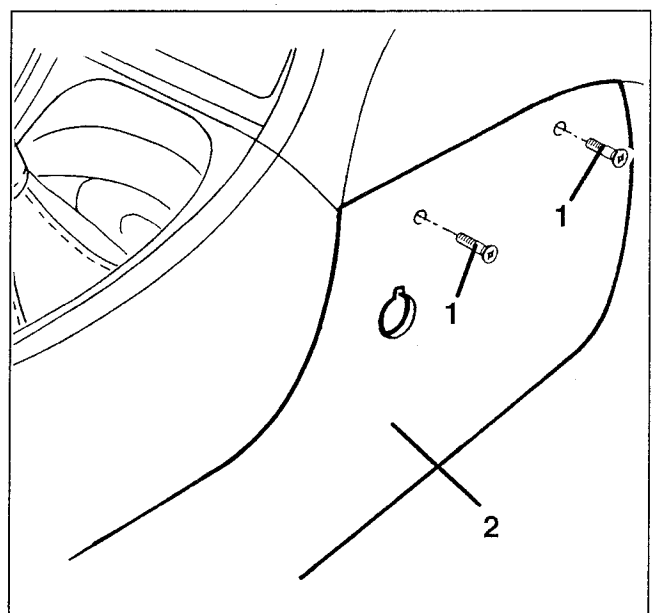
1. Open the glove compartment.
2. Release the complete ceiling light.
3. Disconnect the electrical connection and release the wiring from the slot.



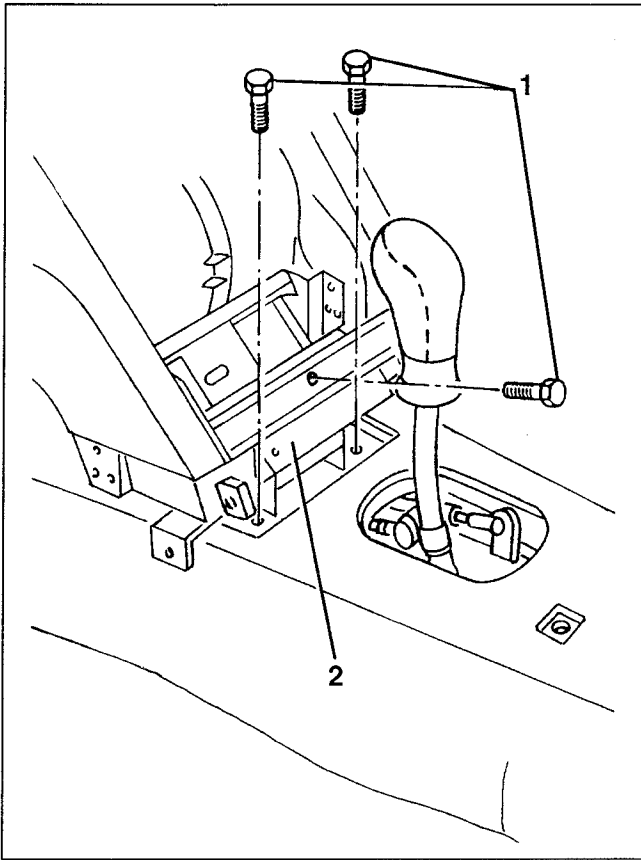
1. Release the lower right-hand ceiling light.
2. Disconnect the electrical connection.



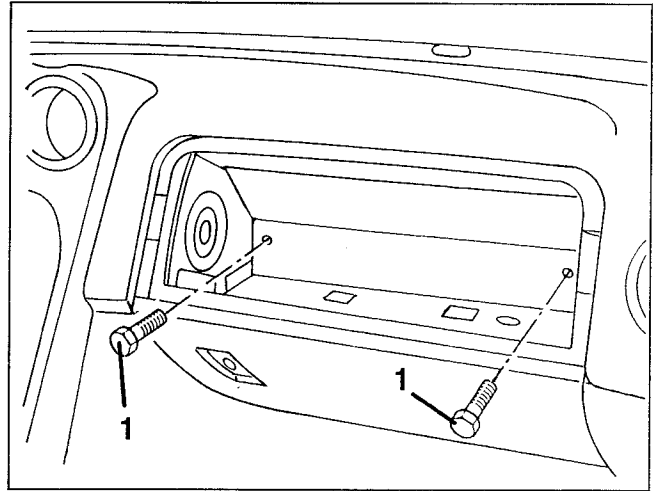
1. From both sides of the tunnel, loosen the side cover fastening screws.
2. Remove the side covers.



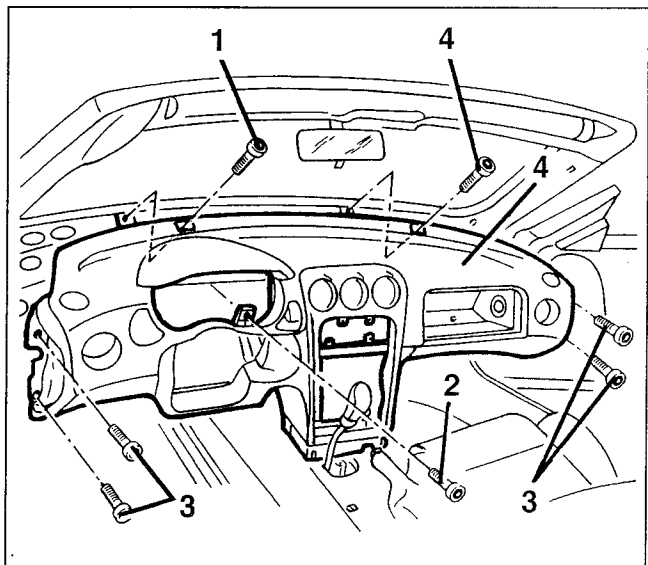
1. Loosen the three screws fastening the lower dashboard bracket.
2. Remove the bracket.



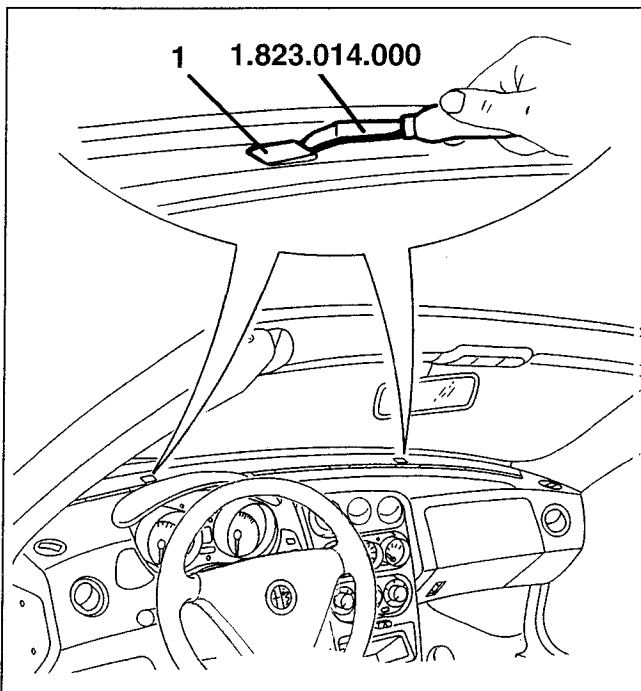
1. Loosen the two screws on the bottom of the passenger side airbag compartment.



1. Loosen the two upper screws.
2. Loosen the central screw.
3. Loosen the two side screws on each side.
4. Extract the dashboard (two people are required).



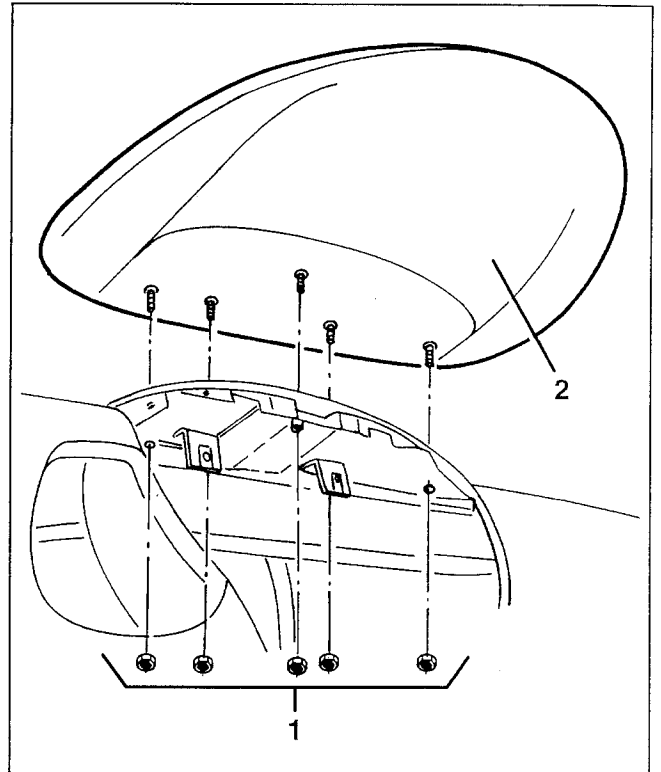
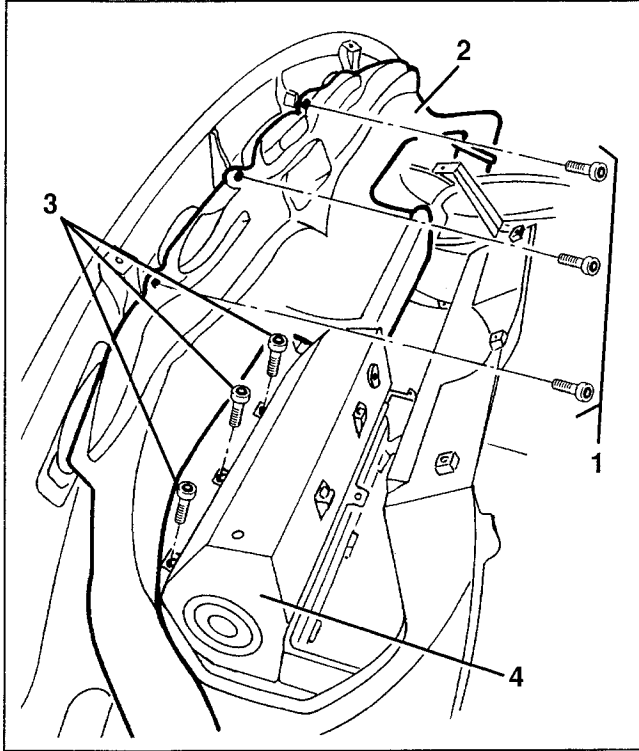
1. Use tool no. 1.823.014.000 to remove the two upper dashboard covers.



Lubricate the climate control system assembly coupling surface with Vaseline. Refit the dashboard by reversing the removal sequence.

**DIS-ASSEMBLY**

1. Slacken the seven screws fastening the air duct unit.
2. Remove the air duct unit.
3. Slacken the four screws fastening the passenger's Air Bag compartment.
4. Remove the passenger's Air Bag compartment.



**REMOVAL/REFITTING ('98 versions)**

- Remove the dashboard and the respective air duct (see specific paragraph).

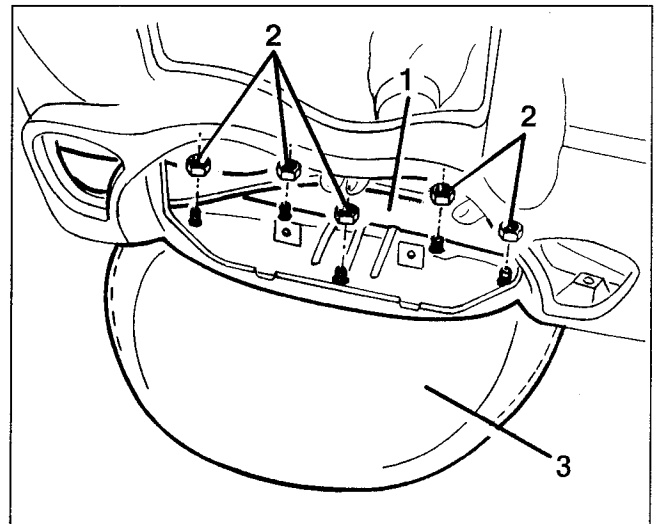
  1. Lift the adhesive cover.
  2. Loosen the flap fastening nuts.
  3. Remove the flap.

**INSTRUMENT CLUSTER HOOD**

**REMOVAL / REFITTING (to '97 versions)**

- Remove the instrument cluster (see Group 55).

  1. Slacken the five nuts fastening the instrument cluster hood. To gain better access, insert a suitable thickness between the air duct and the dashboard frame.
  2. Remove the hood.



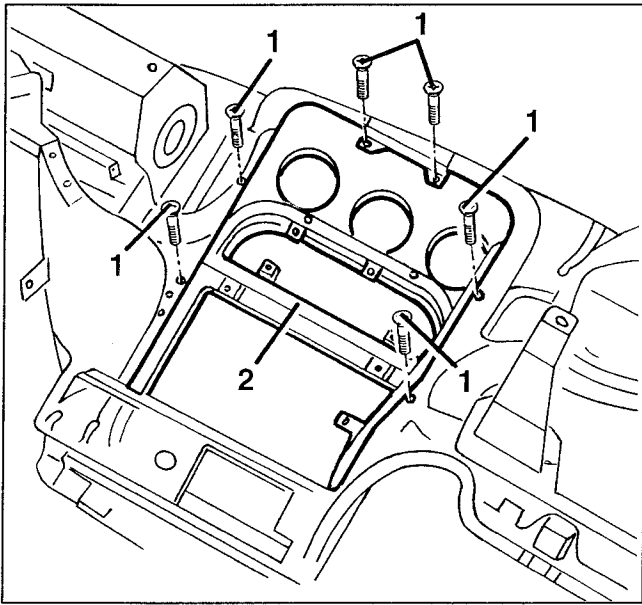
Refit the flap by reversing the removal sequence.

**CENTRAL UNIT FRAME ('98 versions)**

**REMOVAL/REFITTING**

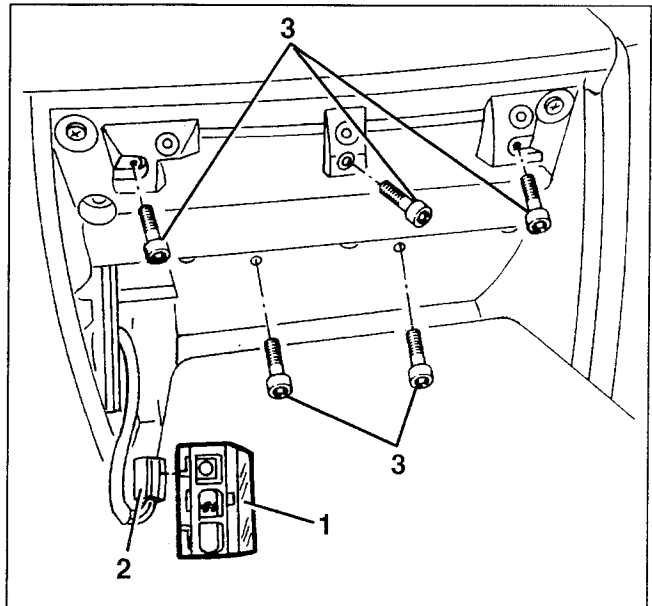
– Remove the dashboard and the respective air duct (see specific paragraph).

1. Loosen the frame fastening screws.
2. Remove the frame.

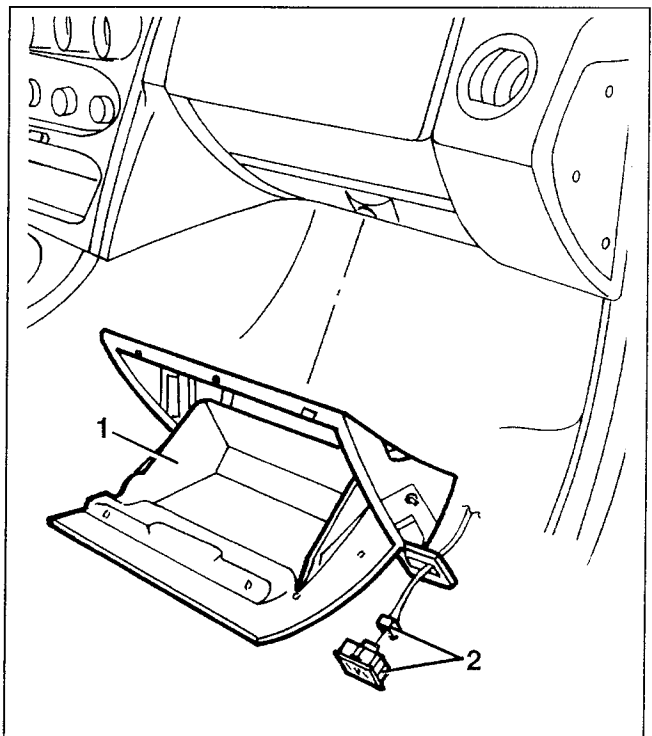


Refit the frame by reversing the removal sequence.

1. Open the glovebox and remove the lamp complete.
2. Disconnect the electrical connection.
3. Slacken the five screws fastening the upper glovebox.



1. Remove the glovebox complete.
2. Disconnect the lamp and retrieve the glovebox.



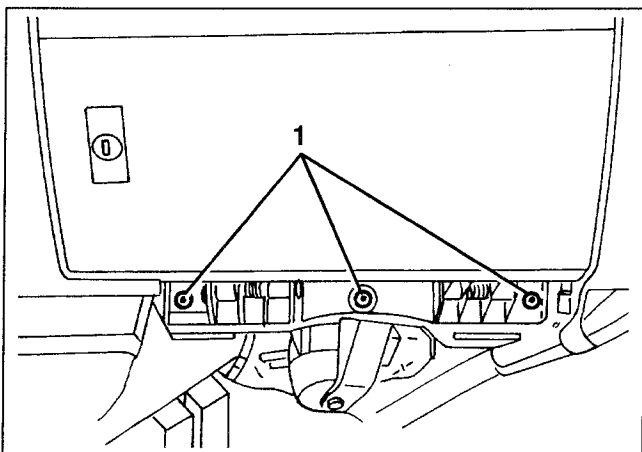
Refit the glovebox reversing the sequence followed for removal.

**GLOVEBOX**

**REMOVAL / REFITTING**

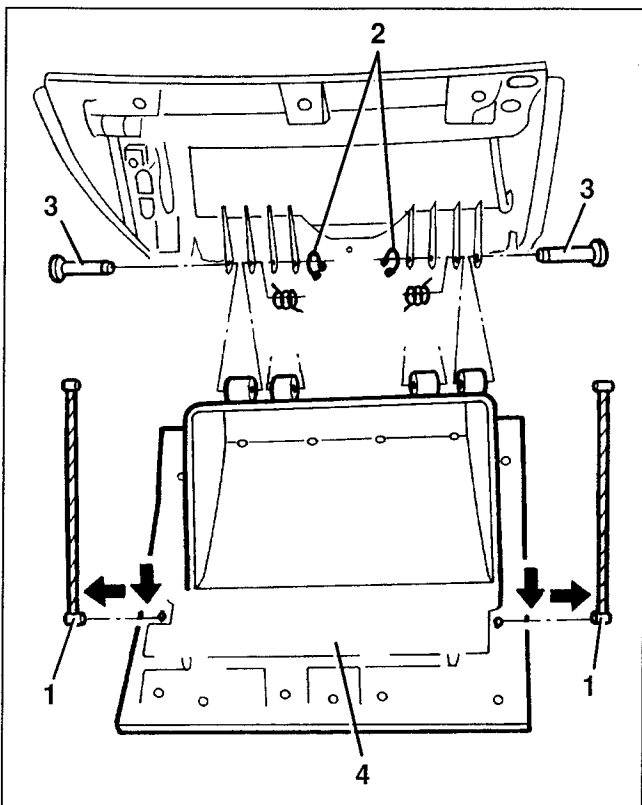
– Disconnect the battery.

1. With the glovebox closed slacken the three screws fastening the lower glovebox.

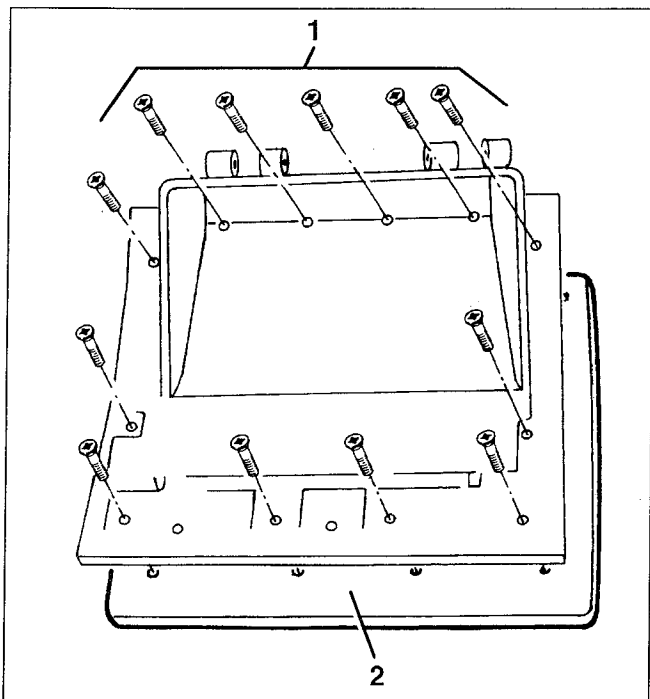


**DIS-ASSEMBLY**

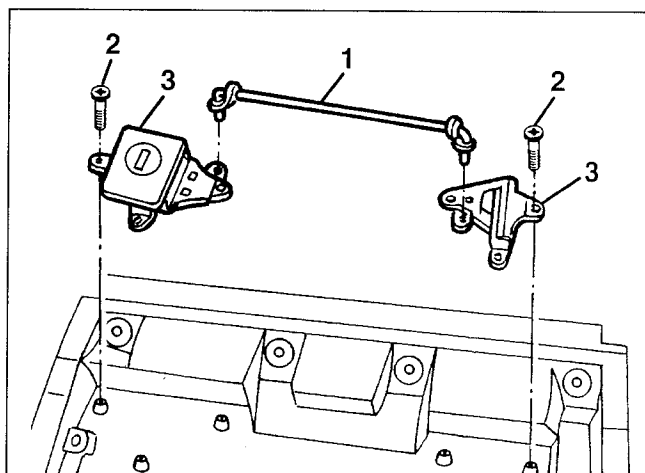
1. Release the lid support cables from the anchor slots.
2. Completely open the lid, remove the two seeger rings on the hinges.
3. Remove the pins.
4. Separate the lid.



1. Slacken the twelve screws fastening the trim to the lid.
2. Remove the trim.

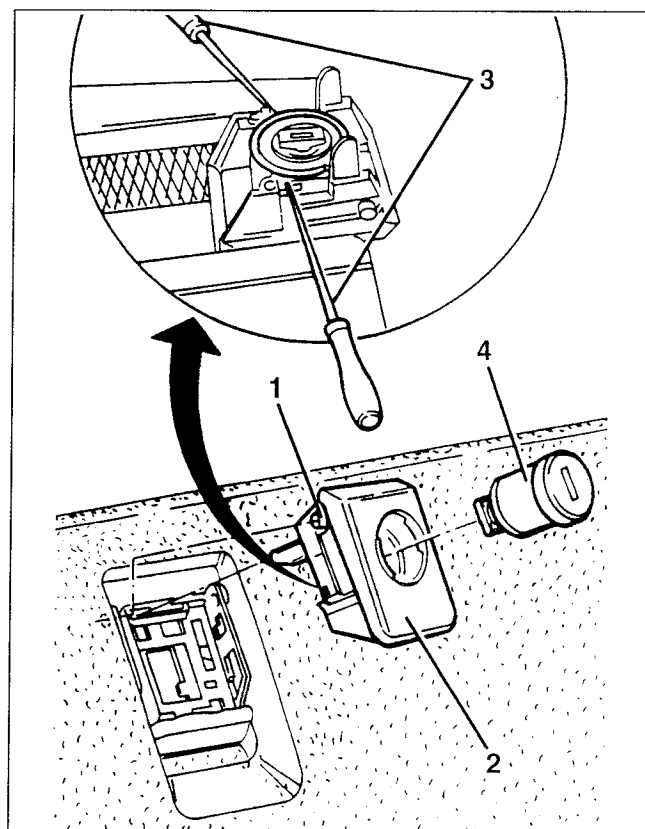


1. Release the return rod from the closing device.
2. Slacken the screws.
3. Remove the closing device.



**GLOVEBOX LID LOCK  
REMOVAL / REFITTING**

1. Raise the glovebox opening handle and use a small screwdriver on the pins fastening the handle to the lid.
2. Remove the complete handle.
3. Using two fine punches, work on the lock retainer clips.
4. Remove the lock.

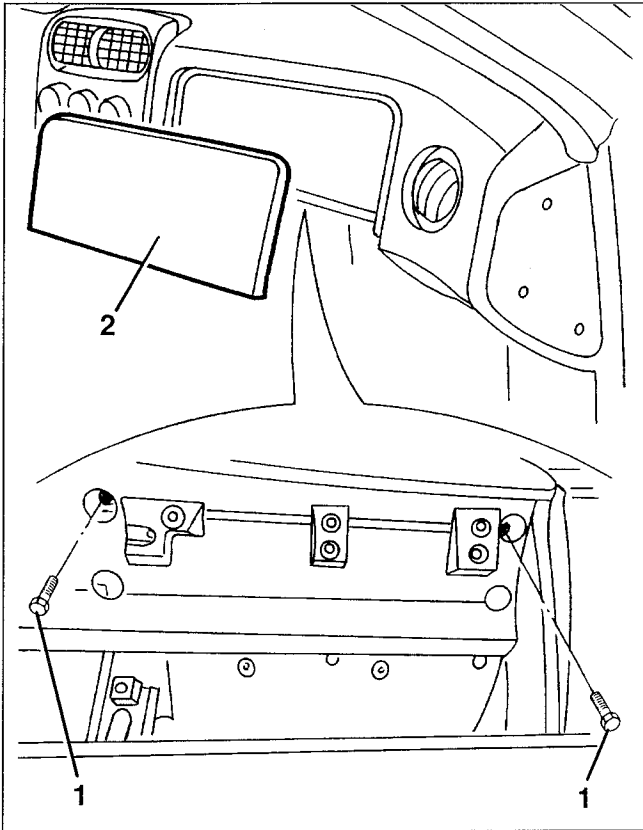


When refitting reverse the sequence followed for removal.

**DASHBOARD TRIM PANEL (ONLY CARS WITHOUT PASSENGER'S AIR BAG)**

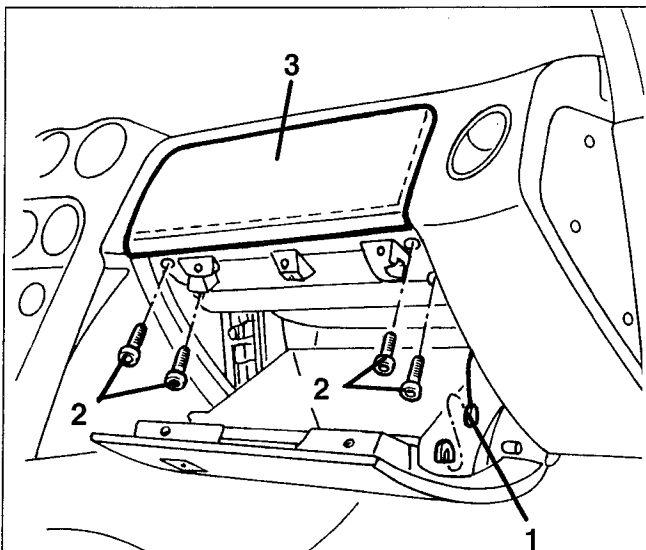
**REMOVAL / REFITTING (to '97 versions)**

1. Open the glovebox and slacken the two screws fastening the panel.
2. Remove the panel



**REMOVAL/REFITTING ('98 versions)**

1. Open the glove compartment and disconnect the retainer laces.
2. Loosen the panel fastening screws.
3. Remove the panel.



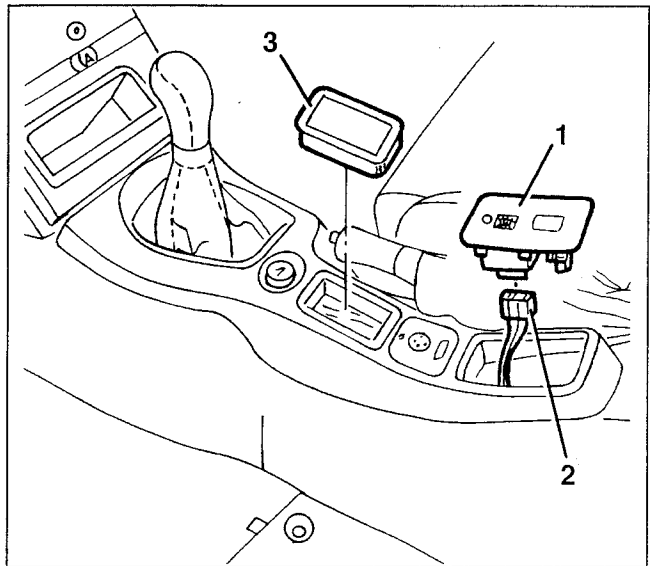
Refit the panel by reversing the removal sequence.

**TUNNEL CONSOLE**

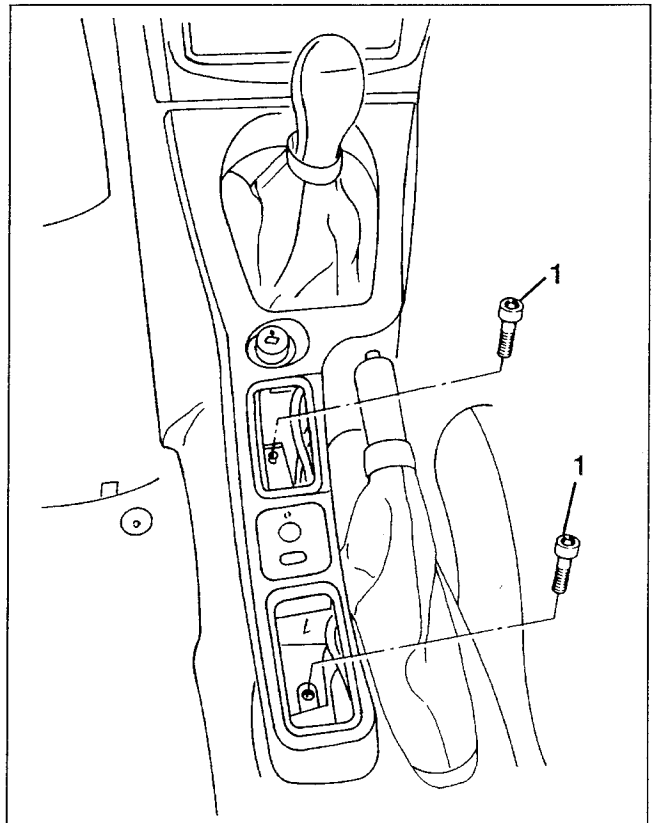
**REMOVAL / REFITTING(to '97 versions)**

- Disconnect the battery.

  1. Remove the cover of the headlamp aiming switch.
  2. Disconnect the electrical connection and retrieve the complete switch.
  3. Prise and remove the ashtray.

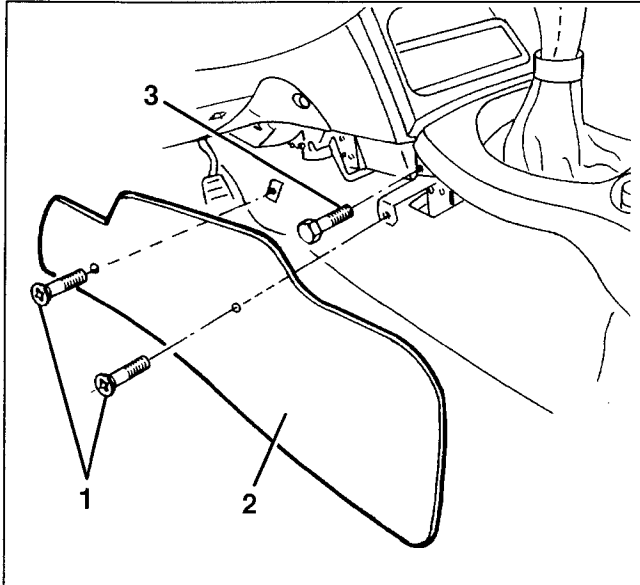


1. Slacken the two screws fastening the console to the tunnel.

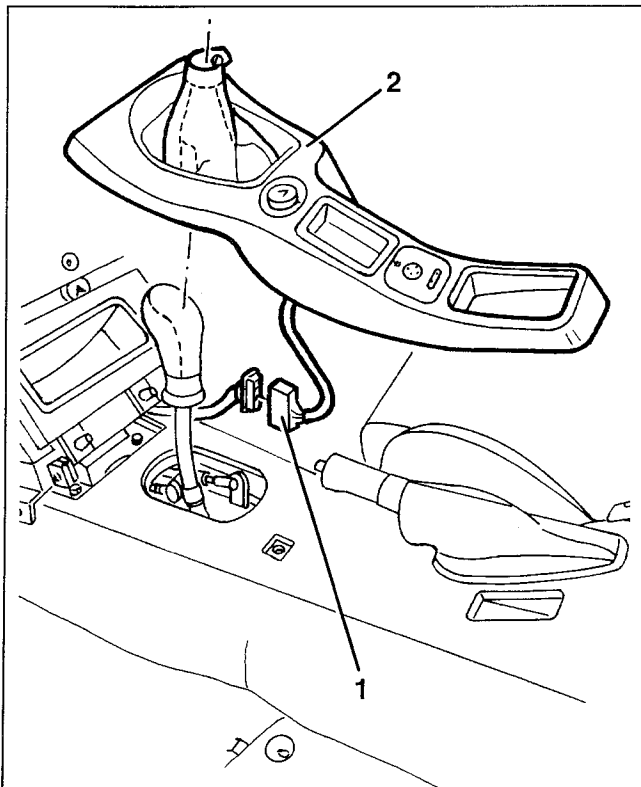




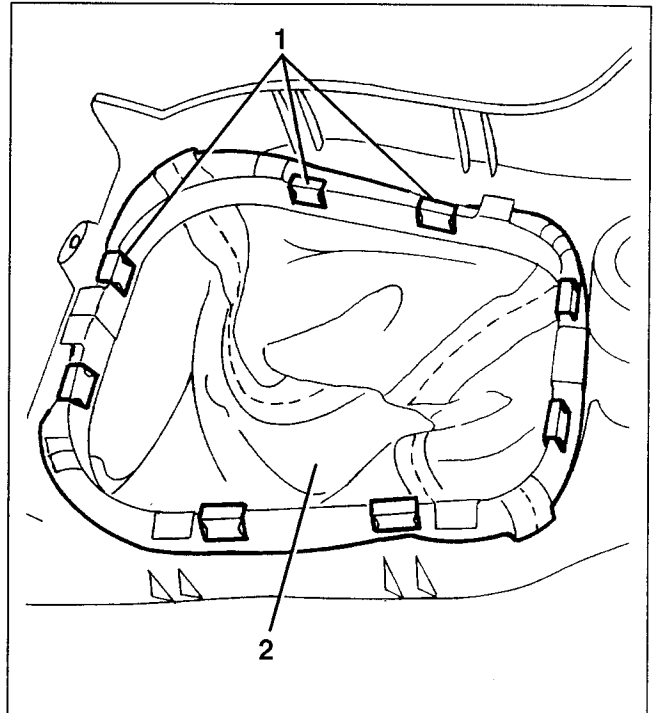
1. Slacken the two screws on each side of the tunnel, fastening the sides.
2. Remove the tunnel sides.
3. Slacken the two screws fastening the tunnel console to the centre console.



1. Disconnect the console wiring electrical connection.
2. Remove the tunnel console.



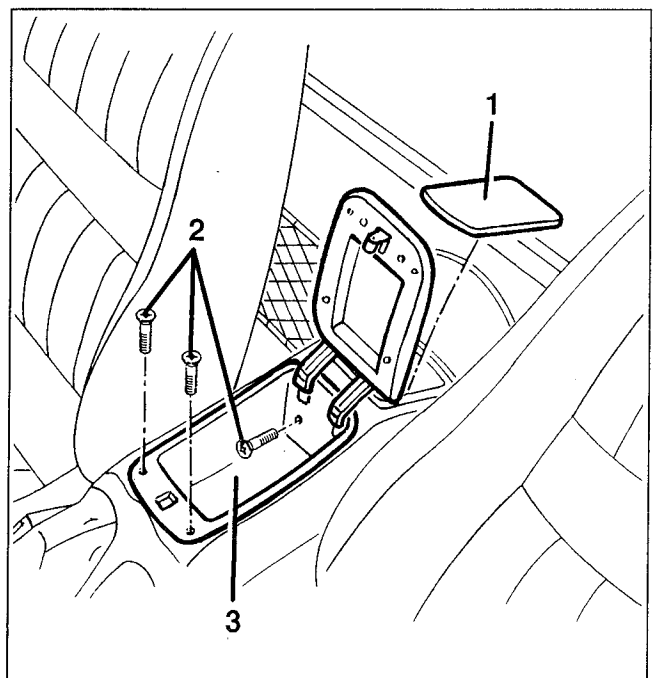
1. If necessary, remove the eight clamps fastening the gearshift lever cover to the console.
2. Remove the gearshift lever cover.



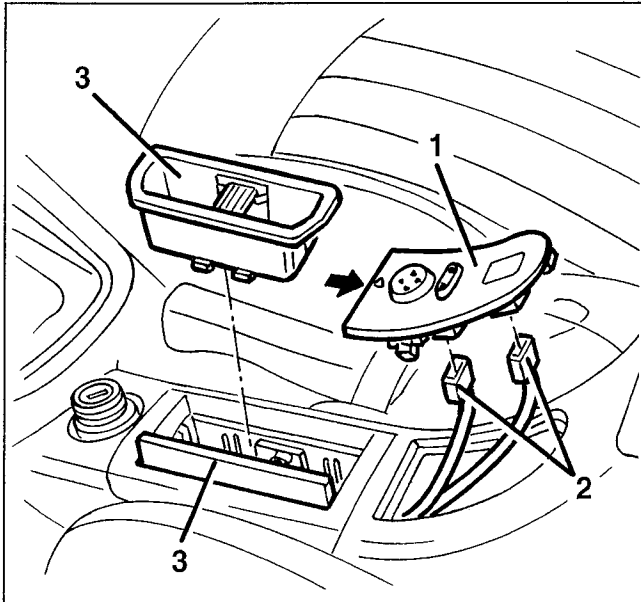
Refit the tunnel console reversing the sequence followed for removal.

### REMOVAL - REFITTING ('98 versions)

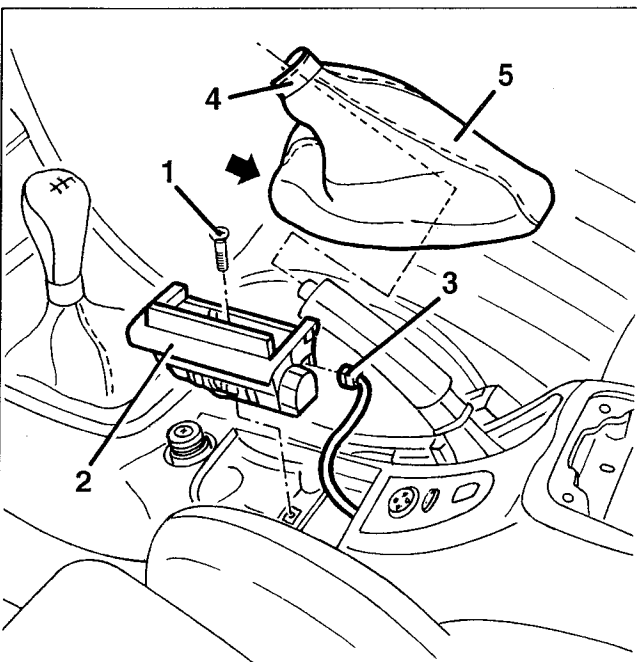
- Disconnect the battery.
- 1. Extract the central unit plate.
- 2. Open the armrest and loosen the fastening screws.
- 3. Extract the armrest assembly and compartment.



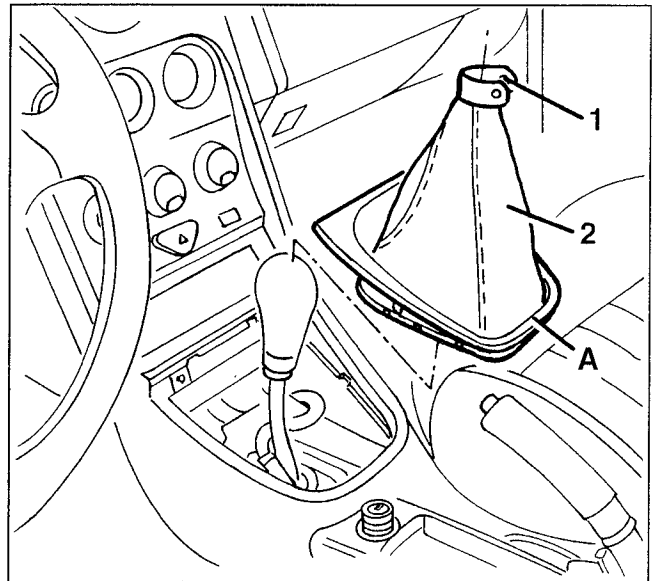
1. Lift the rearview mirror/electrical hood switch plate from its seat on the central tunnel from the side shown by the arrow.
2. Disconnect the electrical connections and take the plate and switches.
3. Open the ashtray and remove it.



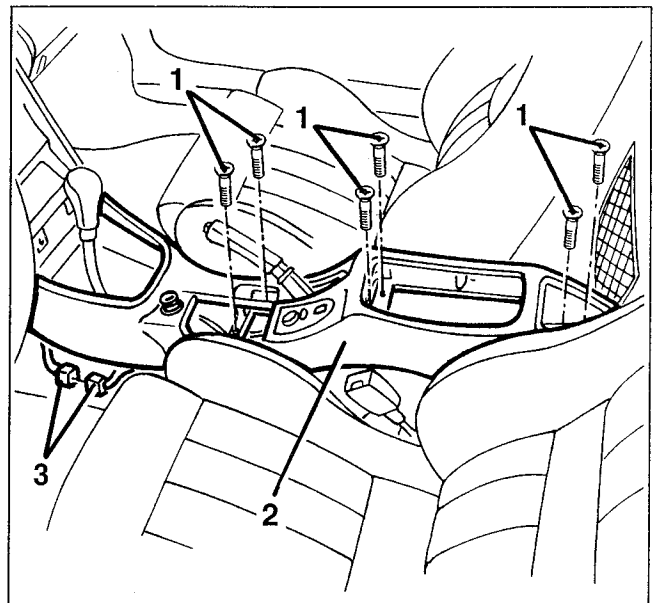
1. Loosen the ashtray bracket fastening screw.
2. Remove the ashtray bracket slightly.
3. Disconnect the bulb electrical connection.
4. Lift the handbrake lever and open the panel retainer collar.
5. Lift the handbrake cover in the direction shown by the arrow.



1. Open the gear stick cover retainer collar.
2. Lift the handbrake lever cover by lifting the frame in area (A).



1. Loosen the tunnel unit fastening screws.
2. Lift the tunnel unit slightly.
3. Disconnect the electrical connection and take the tunnel unit.



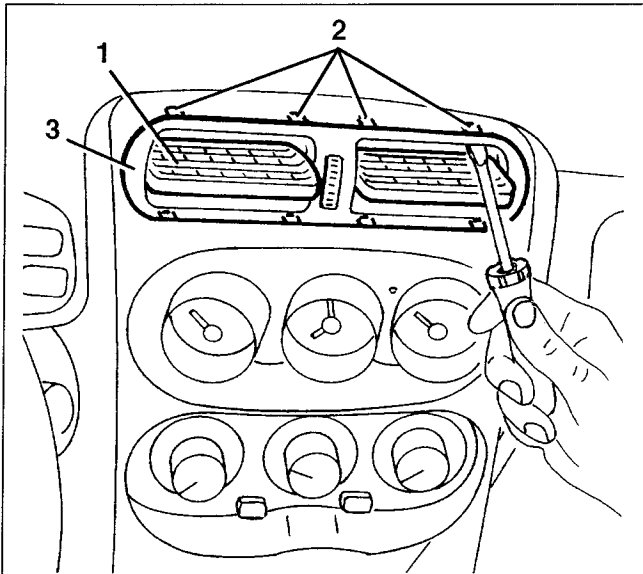
Refit the tunnel unit by reversing the removal sequence.

**CENTRE CONSOLE**

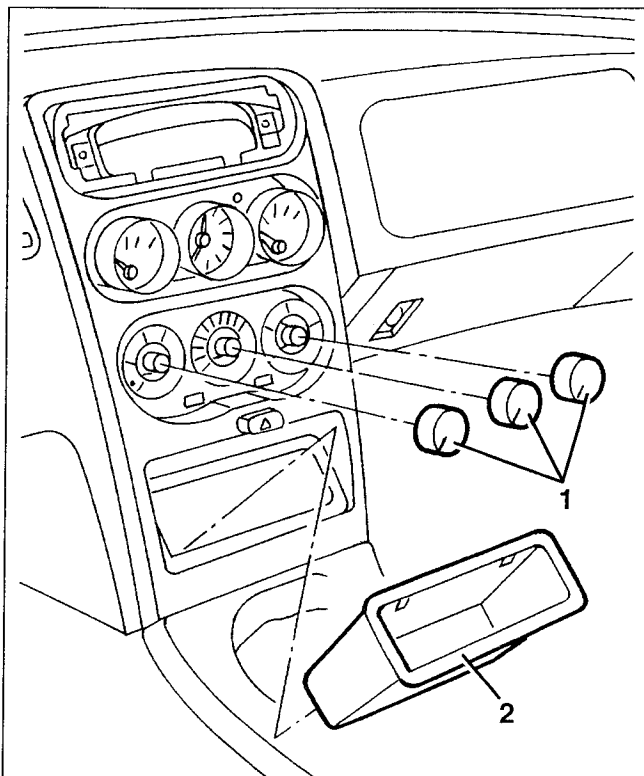
**REMOVAL / REFITTING (to '97 versions)**

– Remove the tunnel console (see specific paragraph).

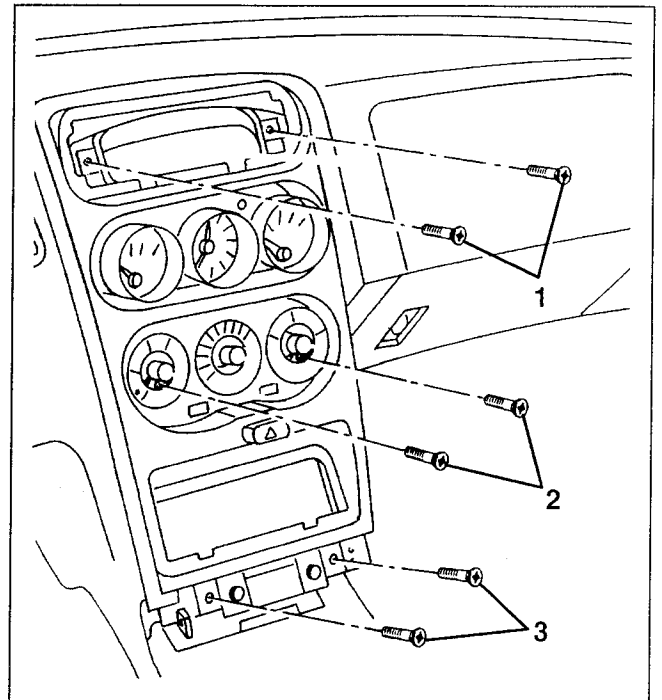
1. Turn the vents upwards beyond the normal adjustment and moving them to the horizontal position.
2. Release the upper and lower locking tabs.
3. Remove the vent unit.



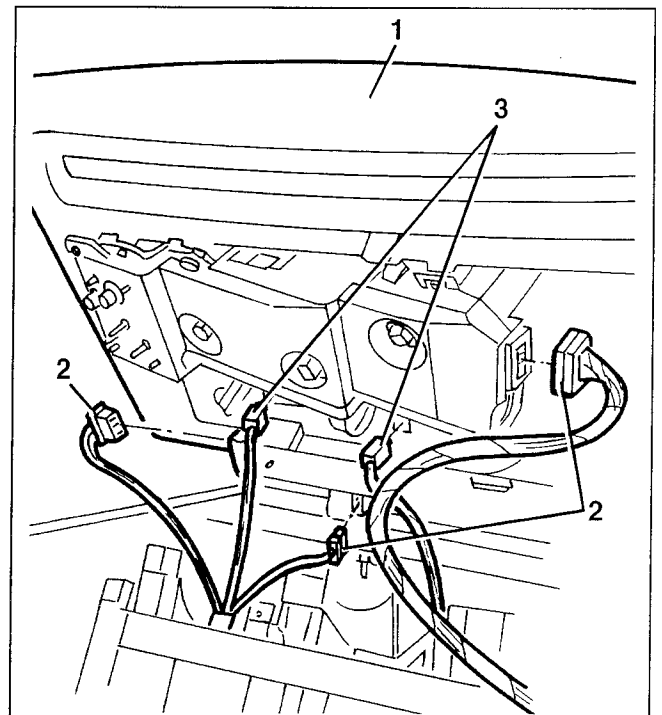
1. Withdraw and remove the three climate control knobs.
2. Prise and remove the radio compartment.



1. Slacken the two upper screws.
2. Slacken the two centre screws.
3. Slacken the two lower screws.



1. Move aside the centre console.
  2. Disconnect the three connections.
  3. Remove the two bulb holders.
- Remove the centre console.

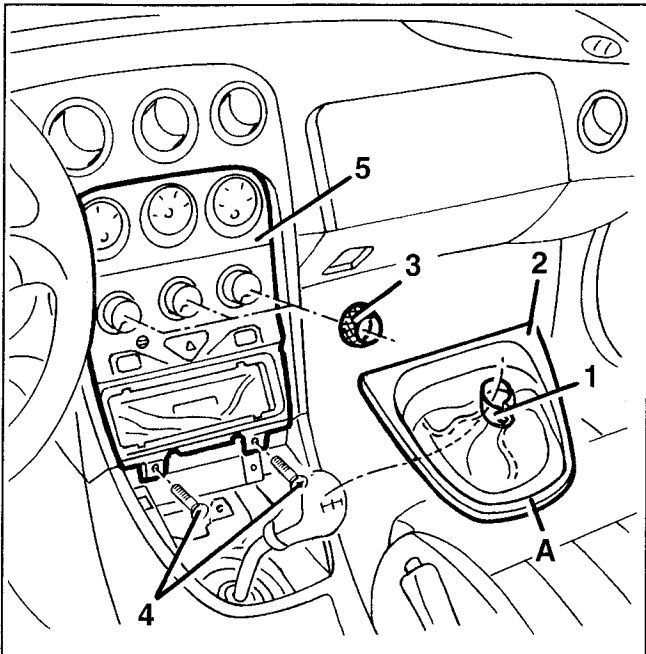


Refit the centre console reversing the sequence followed for removal.

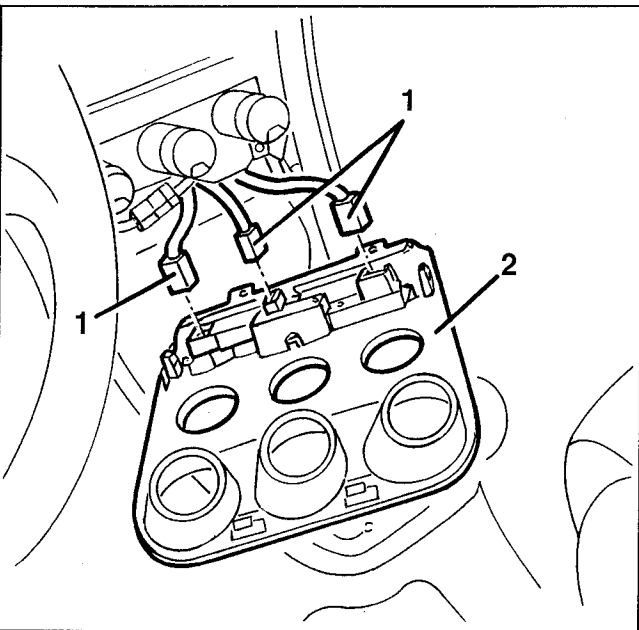
**REMOVAL - REFITTING ('98 versions)**

– Remove the sound system or the sound system compartment (see specific paragraph).

1. Open the gear stick cover retainer collar.
2. Lift the handbrake lever cover by lifting the frame in area (A).
3. Lift the knobs.
4. Loosen the screws.
5. Remove the unit slightly.



1. Disconnect the electrical connections.
2. Take the unit.



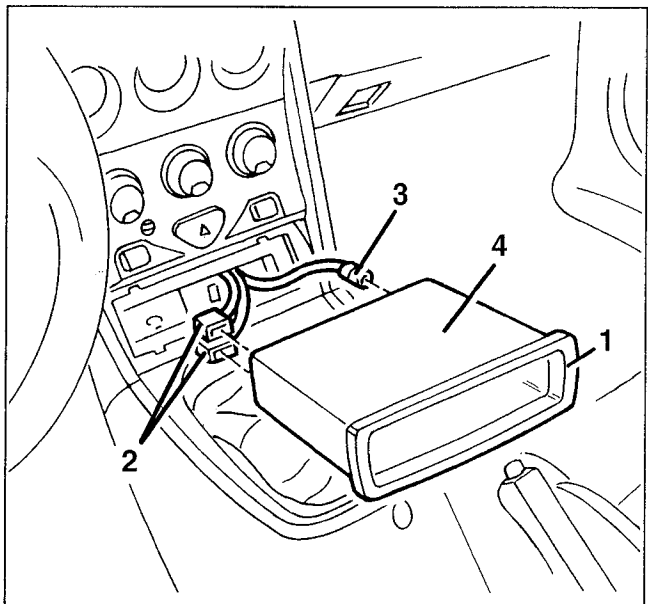
Refit the central unit by reversing the removal sequence.

**SOUND SYSTEM COMPARTMENT ('98 versions)**

**REMOVAL/REFITTING**

– Disconnect the battery.

1. Lift the sound system compartment by pulling it.
2. Disconnect the electrical connections.
3. Disconnect the aerial wire connection.
4. Take the sound system compartment.

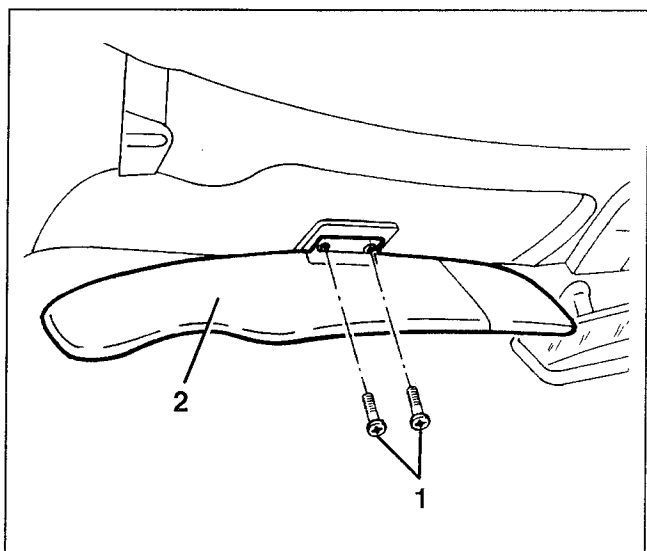


Refit the sound system compartment by reversing the removal sequence.

**SUN VISORS**

**REMOVAL / REFITTING**

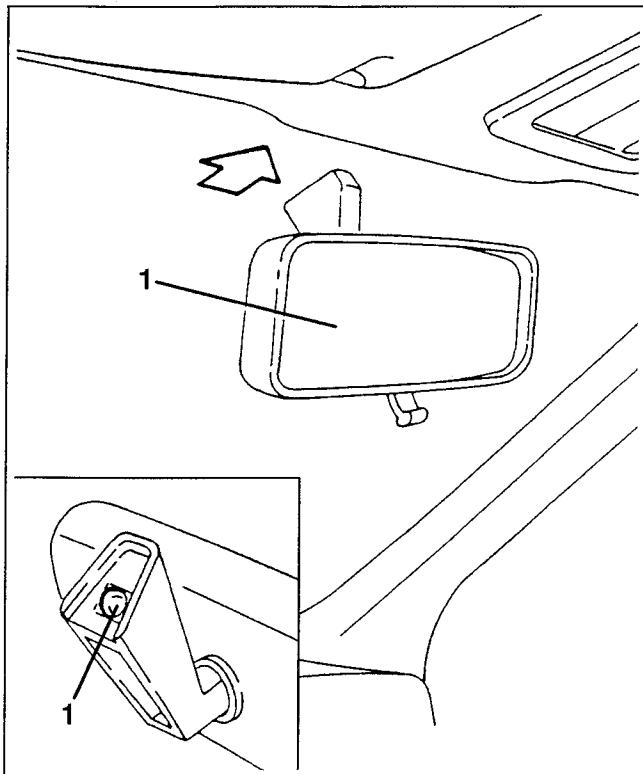
1. Lower the sun visor and slacken the two fastening screws.
2. Remove the sun visor.



**INNER REARVIEW MIRROR**

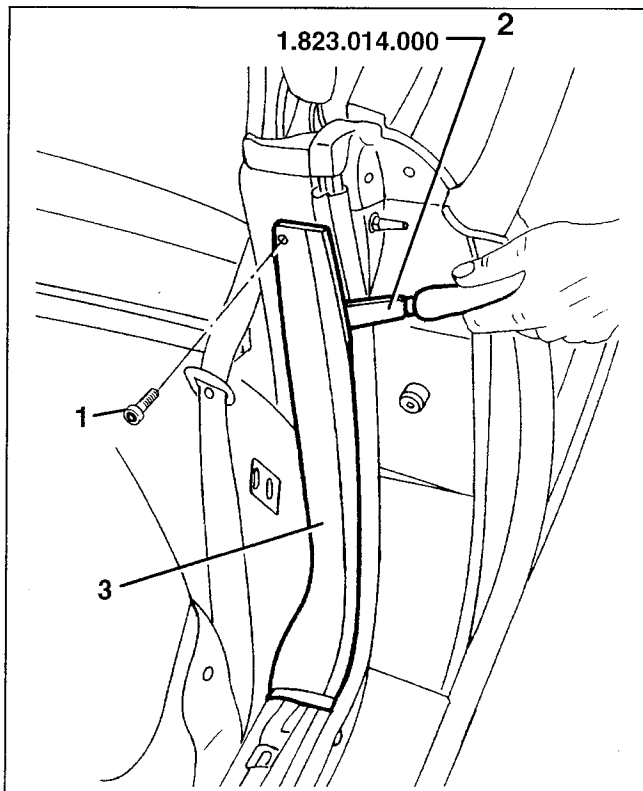
**REMOVAL / REFITTING**

1. Remove the inner rearview mirror pushing it upwards overcoming the force of the locking ball.



**Only for Spider**

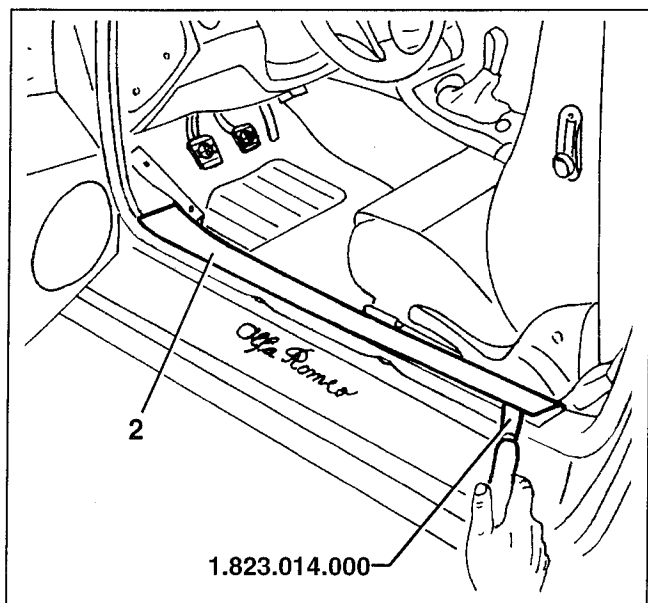
1. Slacken the upper screw.
2. Using tool N° 1.823.014.000 remove the four squares of the vertical plate.
3. Retrieve the vertical plate.



**HEEL BOARD**

**REMOVAL / REFITTING**

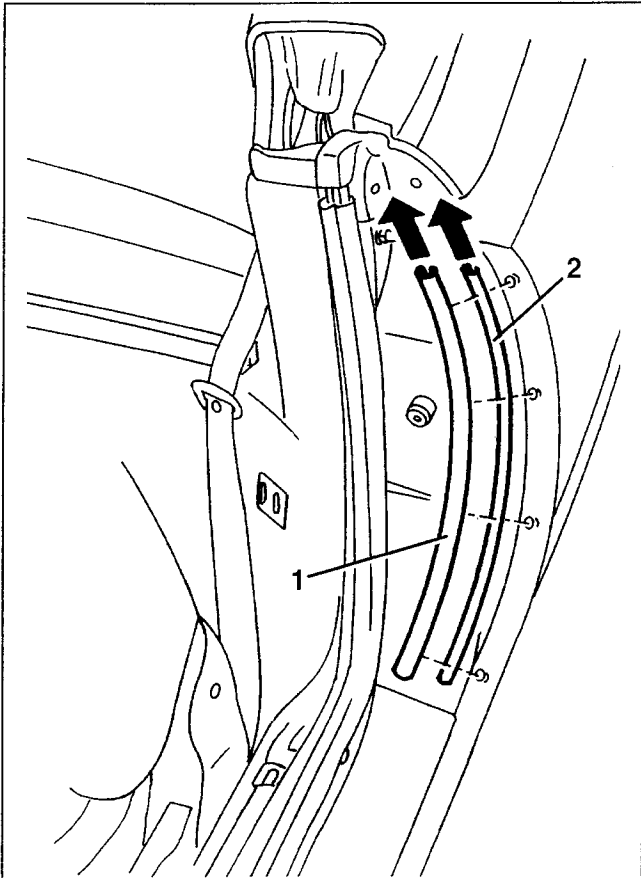
1. Using tool N°1.823.014.000 remove the five heel board squares.
2. Retrieve the heel board.



**OUTER DOOR SURROUND SEAL**

**REMOVAL / REFITTING**

1. Withdraw the outer door surround seal from above.
2. Withdraw the retainer profile from above

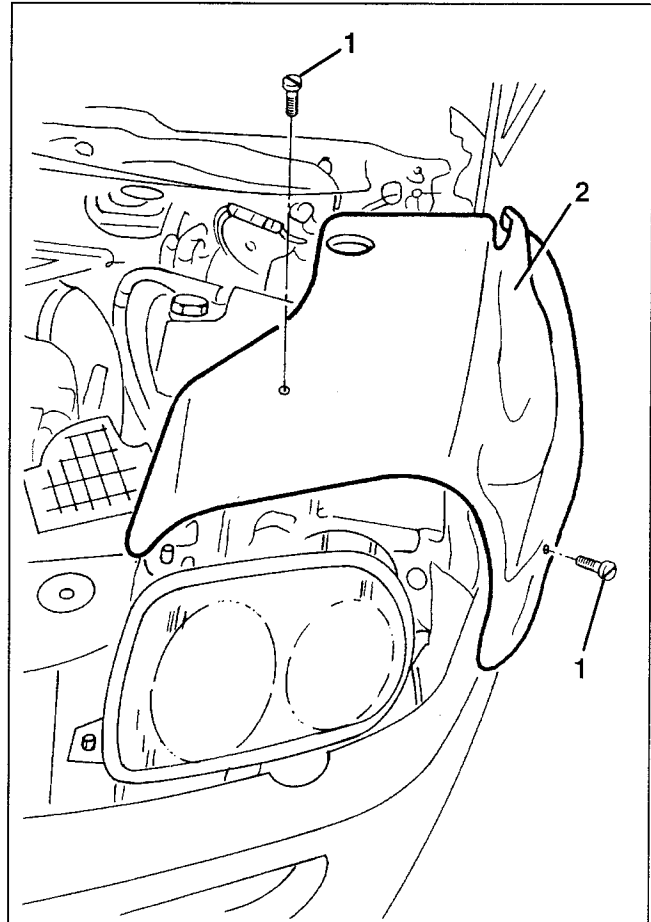


When refitting, re-position the retainer profile fitting it directly on the locking pins.

## ENGINE COMPARTMENT GUARDS

### REMOVAL / REFITTING

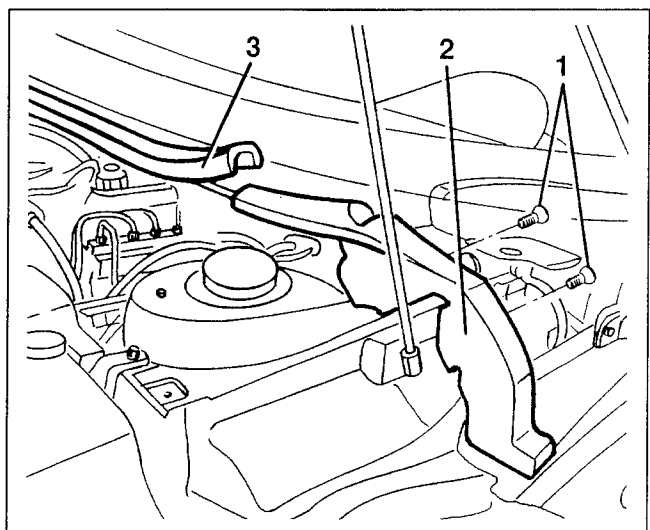
- Open the bonnet.
- 1. Remove the fastenings.
- 2. Retrieve the engine compartment guards.



## ENGINE COMPARTMENT REAR SEAL

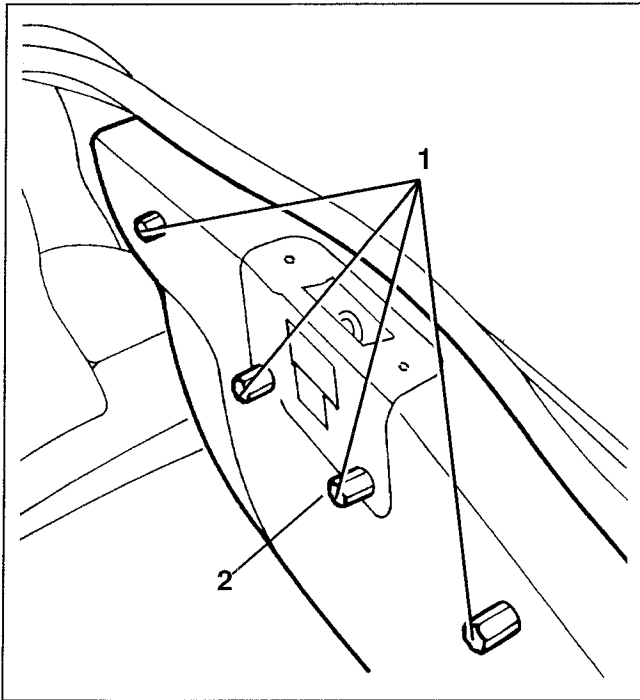
### REMOVAL / REFITTING

- Remove the air intake grille (see specific paragraph).
- 1. Remove the two fastening plugs, on each side.
- 2. Remove the seal outer components.
- 3. Prise and remove the centre seal.

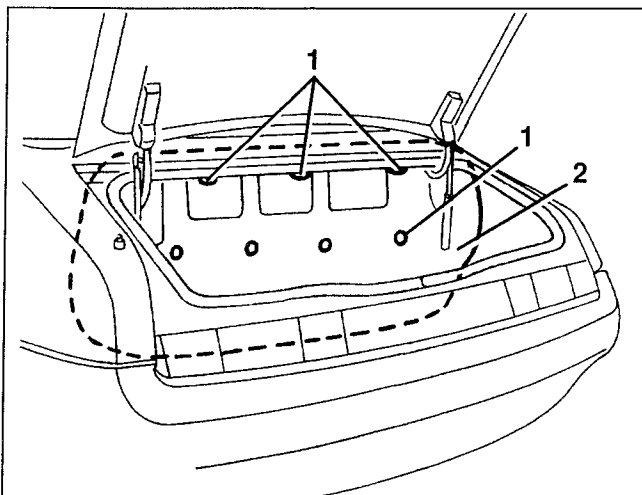


**REAR LUGGAGE COMPARTMENT TRIM****REMOVAL / REFITTING**

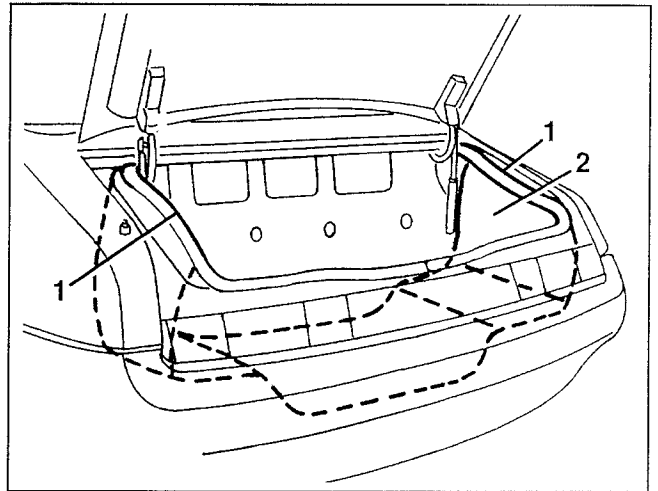
- Open the boot lid and remove the luggage compartment light (see specific paragraph).
- 1. Slacken the plastic nut.
- 2. Remove the luggage compartment rear trim.

**LUGGAGE COMPARTMENT INTERIOR TRIM****REMOVAL/REFITTING**

- Open the boot lid and remove everything from the boot that can prevent removal of the inner trim.
- 1. Remove the plugs using tool 1.823.015.000
- 2. Remove the inner trim.

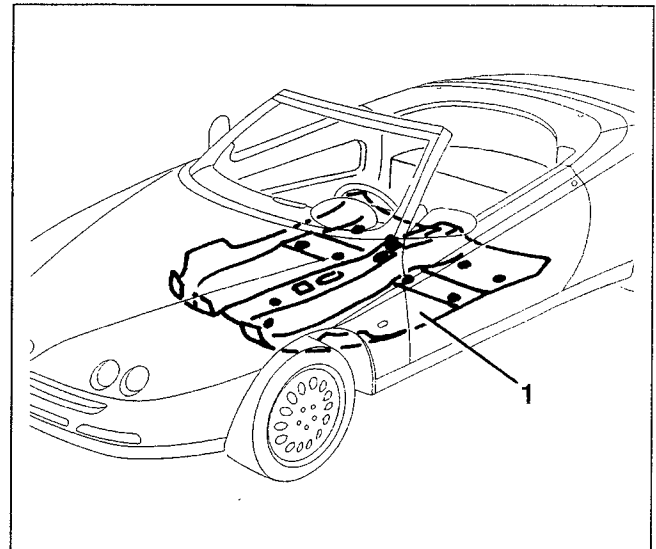
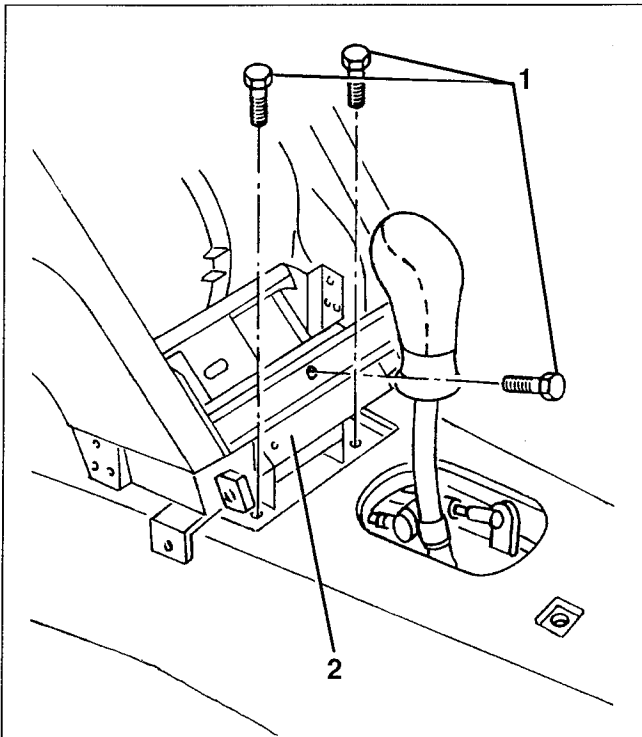
**LUGGAGE COMPARTMENT FLOOR TRIM****REMOVAL/REFITTING**

- Remove the dorsal panel and the boot inter panel (see specific paragraph).
- 1. Remove the seal on the sides of the luggage compartment
- 2. Remove the luggage compartment floor trim.

**FLOOR TRIM****REMOVAL/REFITTING**

- Remove the seats (see specific paragraph).
- Remove the heel boards (see specific paragraph).
- Remove the tunnel console (see specific paragraph).
- Remove the centre console (see specific paragraph).

1. Slacken the three screws fastening the dashboard lower bracket.
2. Remove the bracket.

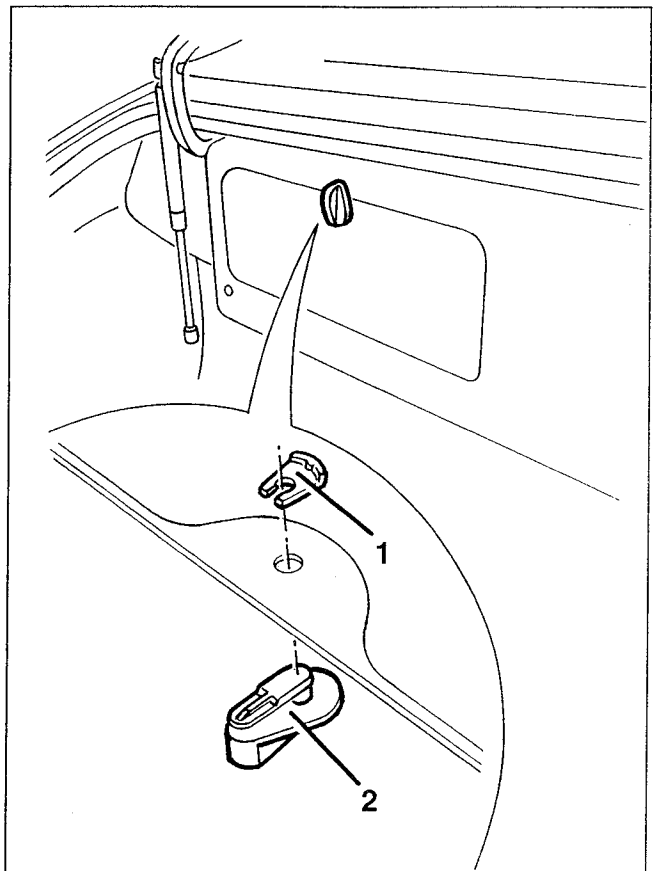
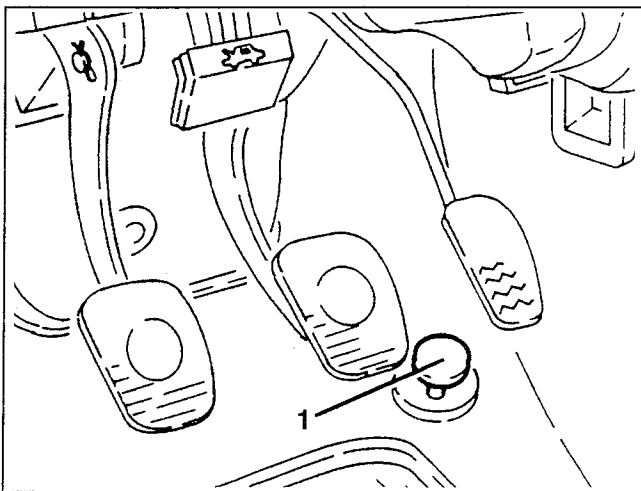


### BOOT COMPARTMENT FLAP CATCH

#### REMOVAL/REFITTING

1. Release the retainer.
2. Release the catch from its seat.

1. Slacken and remove the accelerator pedal stroke limit.



- Remove the inertial switch (see GROUP 10).
- Remove the handbrake lever cover.
- Raise the lower edge in velcro of the rear shelf cover (only Spider).
- Remove the rear seats and side panels (only Gtv-see specific paragraph).
- Remove the front seat belt lower connections.

1. Release the floor trim and remove it from the passenger compartment.



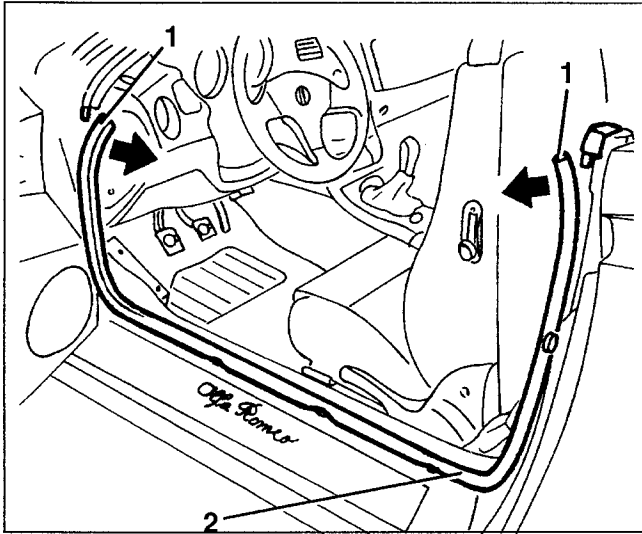
Refit the catch by reversing the removal sequence.



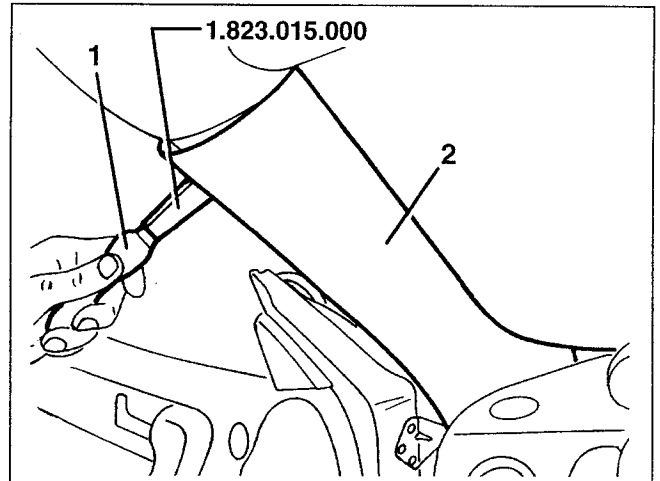
## INTERIOR TRIM - SPIDER

### DOOR SURROUND MOULDING REMOVAL / REFITTING

- Remove the heel board and the vertical plate (see specific paragraph).
- 1. Prise off the end of the moulding from the jointing pins.
- 2. Prise and remove the moulding.



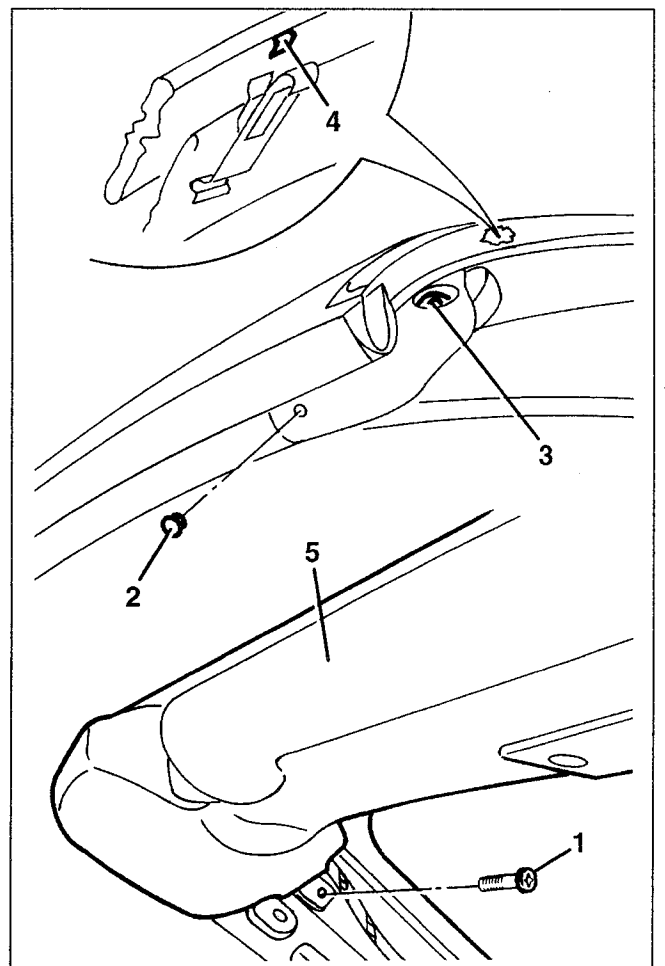
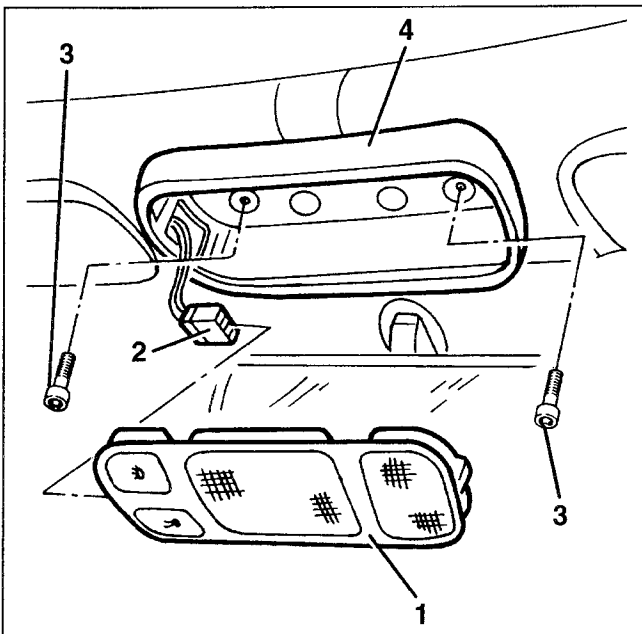
1. Using tool N° 1.823.015.000 remove the three pins fastening the two pillar trims.
2. Remove the two pillar trims.



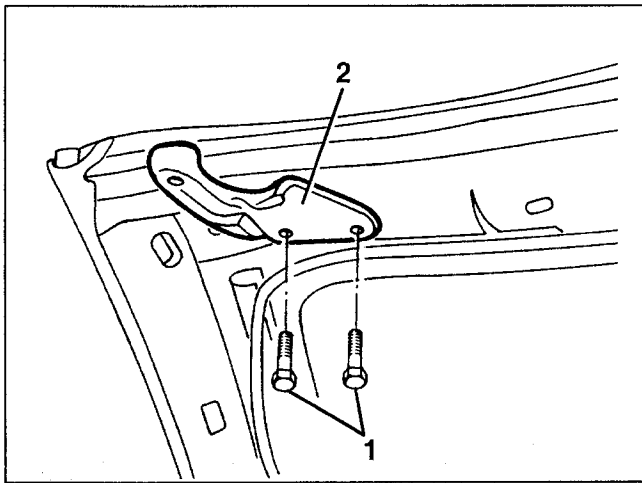
1. Slacken the screw fastening the upper windscreen trim to each pillar.
2. Remove the fastening plug.
3. Release the hood connection brackets.
4. Release the upper trim stay clamps.
5. Remove the upper windscreen trim.

### UPPER WINDSCREEN TRIM REMOVAL / REFITTING

- Disconnect the battery.
- Remove the sun visors (see specific paragraph).
- 1. Prise the centre roof lamp.
- 2. Disconnect the electrical connection.
- 3. Slacken the two fastening screws.
- 4. Remove the frame.



1. If necessary slacken the two screws fastening each hood connection bracket to the windscreen crossmember.
2. Remove the two hood connection brackets.



When refitting the brackets, adjust hood closing (see specific paragraph).



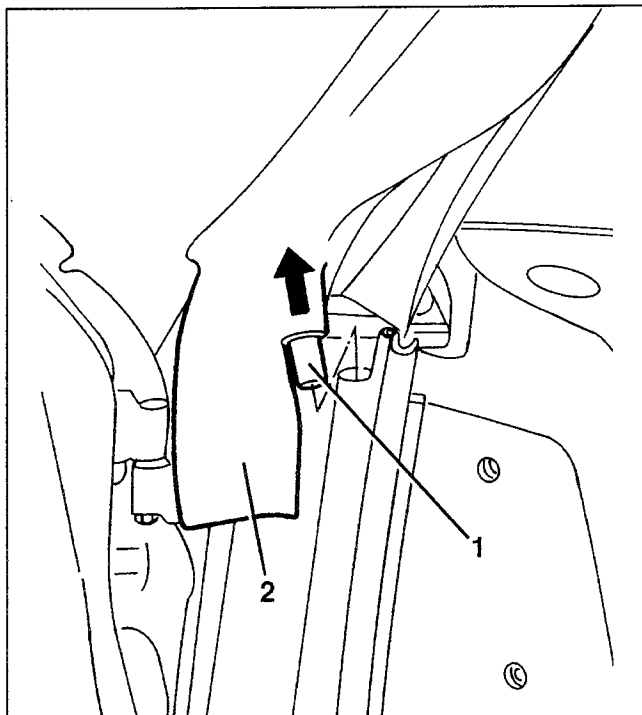
Refit the upper windscreen trim reversing the sequence followed for removal.

## WINDSCREEN FRAME SEAL

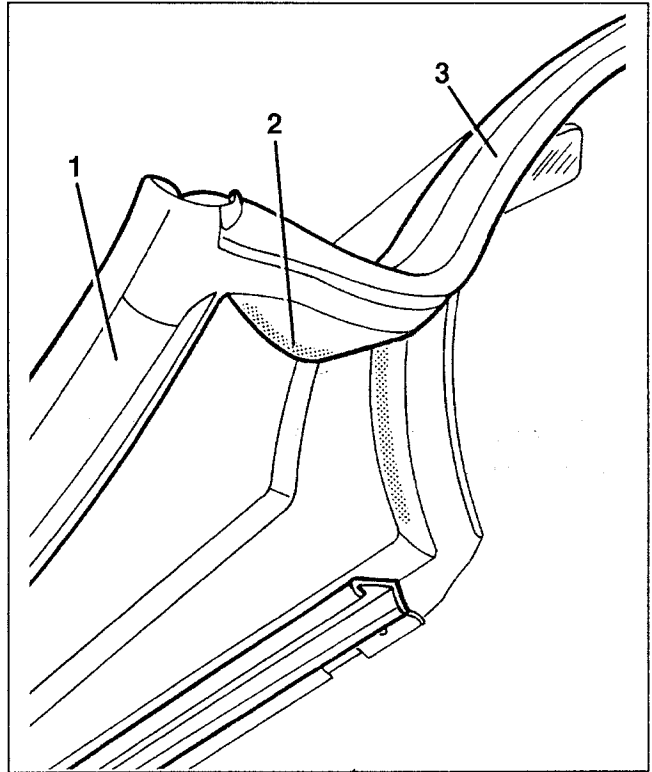
### REMOVAL / REFITTING

- Remove the upper windscreen trim (see specific paragraph).

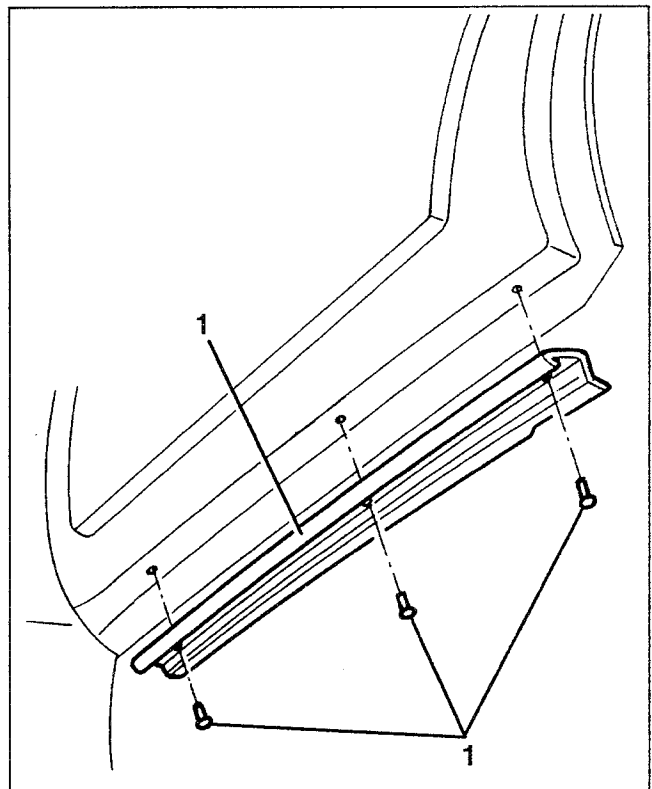
1. Remove the jointing pin from the door moulding.
2. Detach the bi-adhesive lower edge.



1. Prise the seal off the profile on the pillars.
2. Detach the bi-adhesive front edge from the upper windscreen crossmember.
3. Remove the seal releasing it from the profile of the upper crossmember.



1. If necessary, remove the three rivets and remove the seal retainer profile from the pillar.



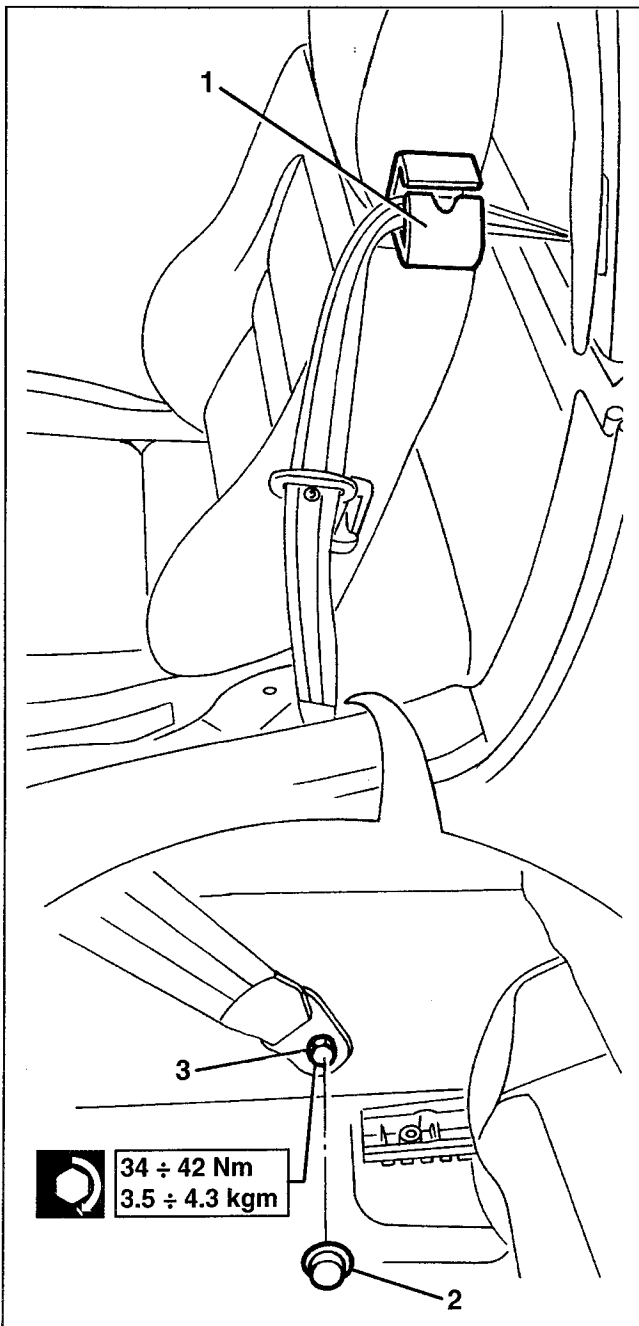
Refit the seal proceeding as follows.

- Clean and degrease the areas in contact with the adhesive part of the seal.
- Position the seal inserting it in the retainer profiles.
- Remove the protective films and and carefully stick on the adhesive areas.

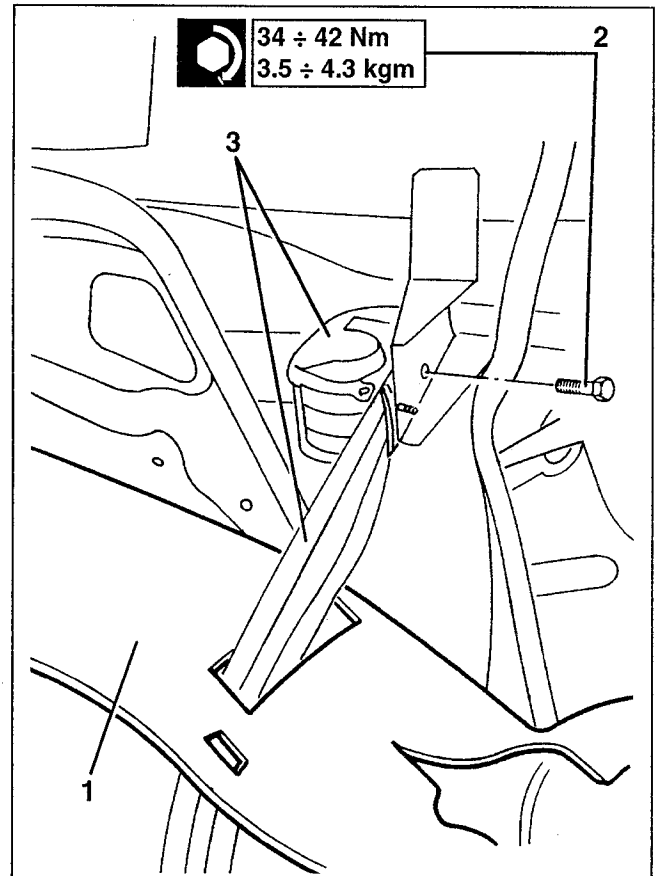
## SEAT BELTS

### REMOVAL/REFITTING

- Move the seat forwards.
- 1. Release the belt from the loop.
- 2. Remove the plastic cap.
- 3. Slacken the seat belt lower fastening screw.



- With the hood closed, release it at the rear and raise it. Open the hood compartment cover.
- 1. Move aside the hood compartment inner trim.
- 2. Slacken the inertia reel fastening screw.
- 3. Pull the belt from the slot in the trim and remove it together with the reel.

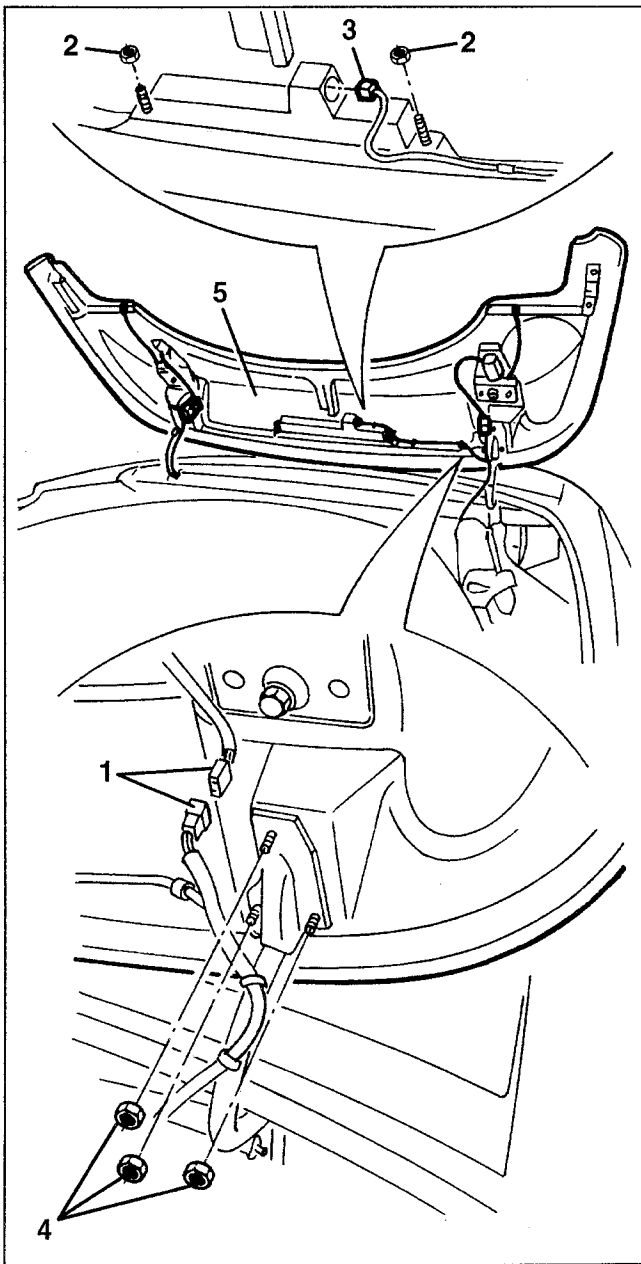


Refit the seat belt reversing the sequence followed for removal.

## HOOD COMPARTMENT LID

### REMOVAL / REFITTING

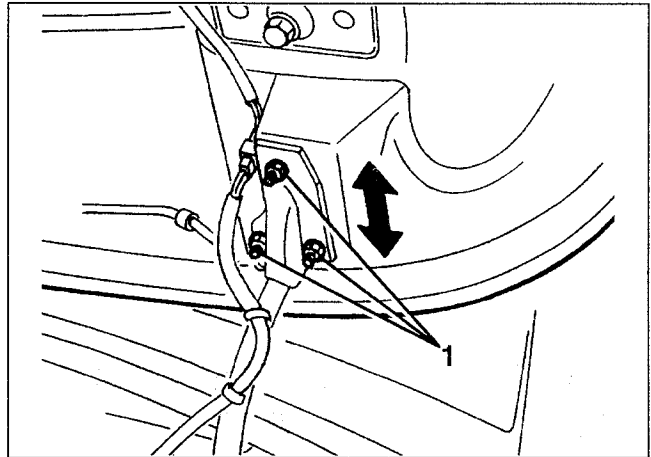
- With the hood open, open the hood compartment lid (for emergency opening see corresponding paragraph).
- Disconnect the battery.
- 1. Disconnect the electrical connection.
- 2. Slacken the nuts and withdraw the third stop light.
- 3. Disconnect the electrical connection.
- 4. Slacken the three nuts fastening the lid to each screw.
- 5. Remove the hood lid.



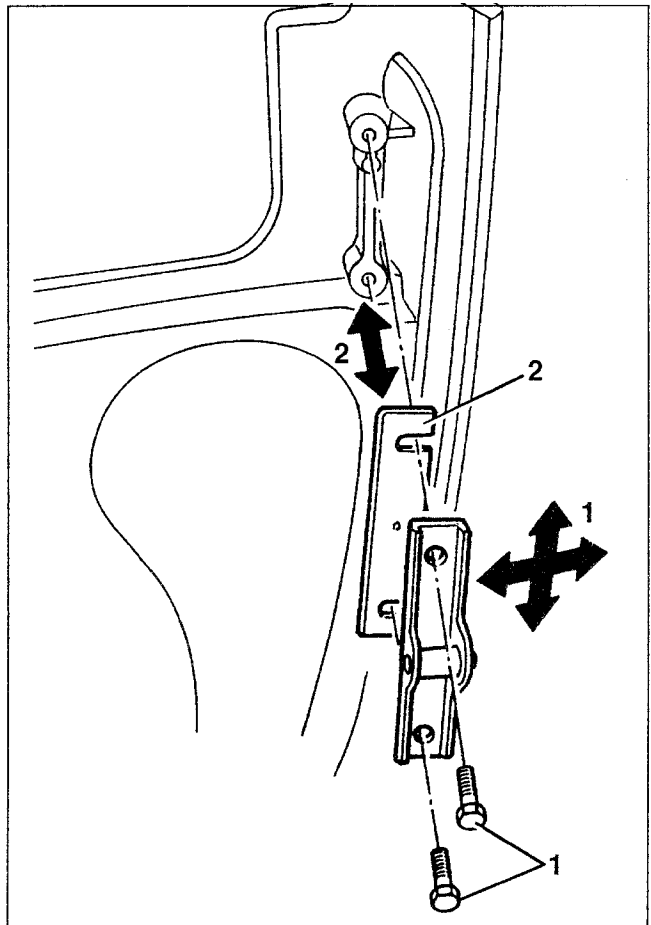
Refit the hood lid reversing the sequence followed for removal.  
Adjust the position of the hood lid.

### ADJUSTMENT

- With the hood closed, check alignment of the hood lid with the body and with the hood closing pins.
- 1. If necessary, slacken the three screws fastening the lid to each hinge and adjust the position longitudinally.



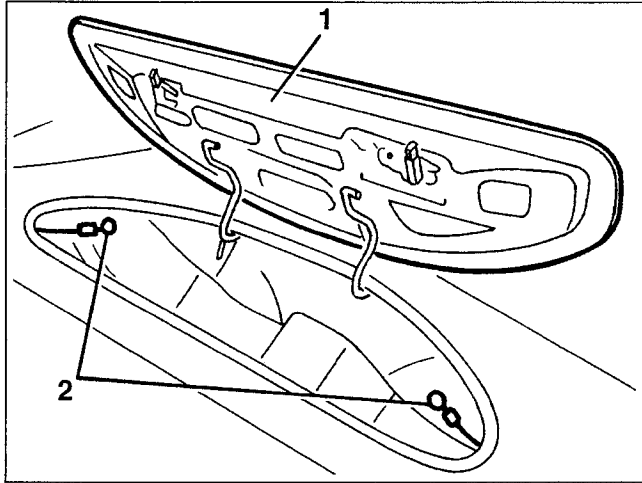
- 1. If necessary, slacken the two screws and adjust the position of the lock strikers for longitudinal and cross-wise adjustment.
- 2. If necessary, reduce or increase the thicknesses, for vertical adjustment.



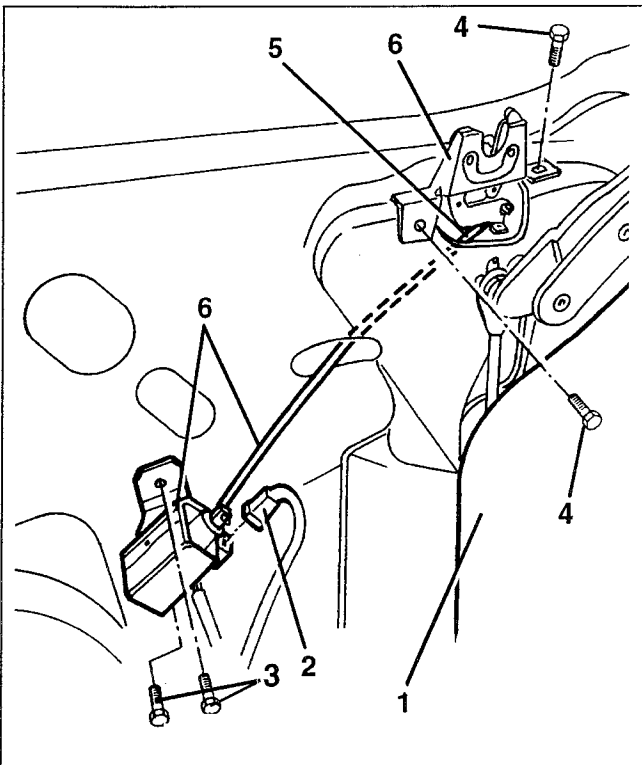
- Re-tighten all the components involved in adjustment.

**EMERGENCY OPENING**

1. Working from the passenger compartment, open the boot.
2. Working from each side of the boot, pull the two cables with eyelet for emergency opening of the hood lid.

**HOOD LID OPENING DEVICE****Removal / Refitting**

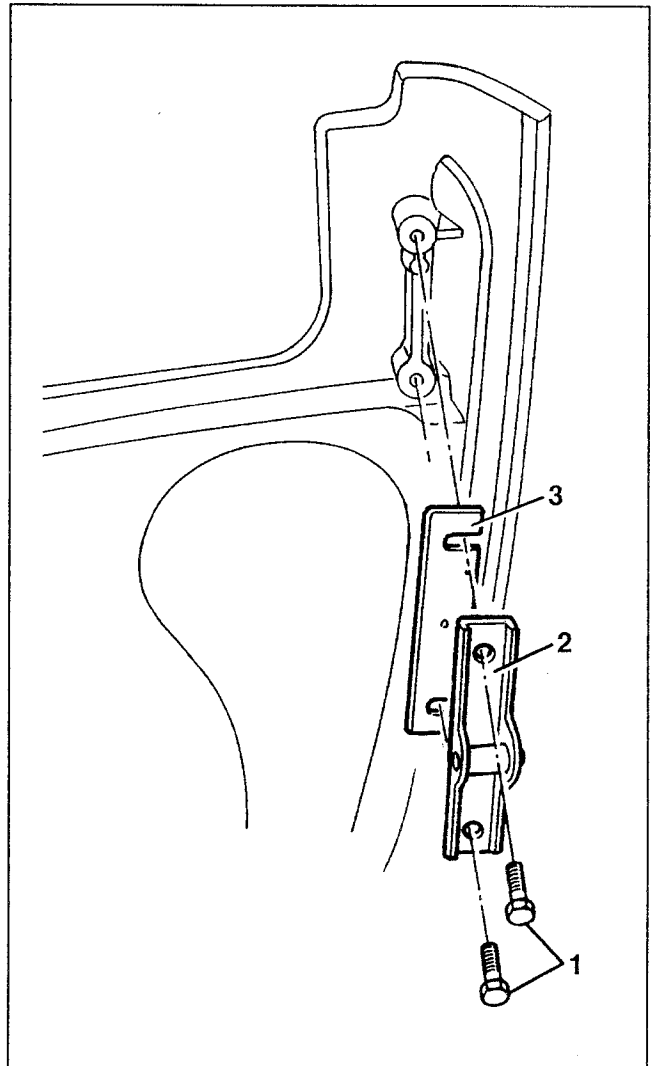
- Disconnect the battery.
  - Close the hood, release it at the rear and raise it. Open the hood compartment lid.
1. Move aside the hood compartment inner trim.
  2. Disconnect the electrical connection.
  3. Disconnect the two screws fastening the actuator.
  4. Disconnect the two screws fastening the lock.
  5. Disconnect the control rod from the lock.
  6. Remove the actuator complete with rod and lock.



Refit the actuator and lock reversing the sequence followed for removal.  
Adjust the position of the hood lid.

**LOCK STRIKER****Removal / Refitting**

- With the hood open, remove the hood lid.
1. Disconnect the two screws fastening each striker.
  2. Remove the striker.
  3. Remove any thicknesses.

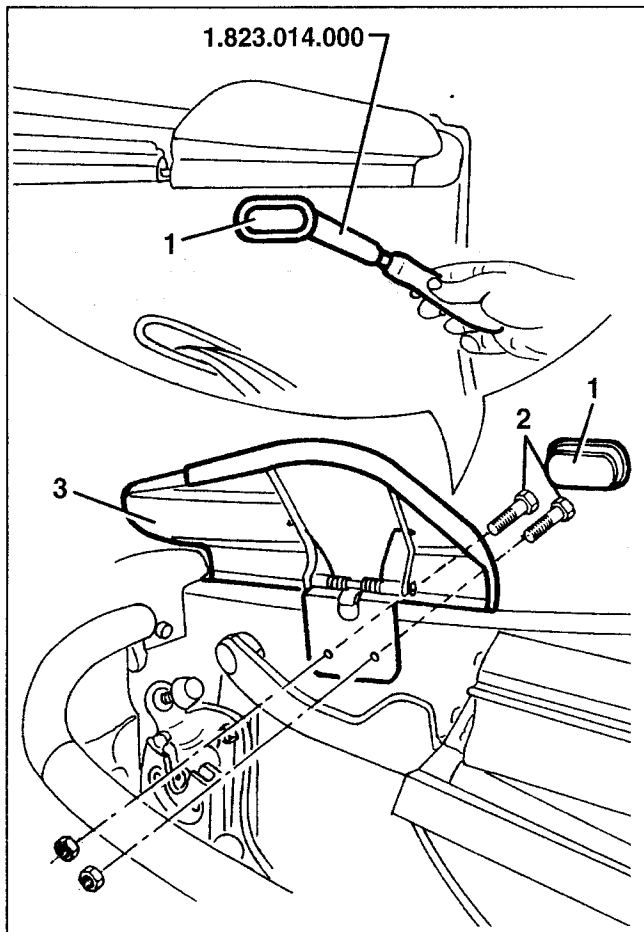


Refit the lock striker reversing the sequence followed for removal.  
Adjust the position of the hood lid.

## HOOD COMPARTMENT UPPER TRIM PANEL

### REMOVAL/REFITTING

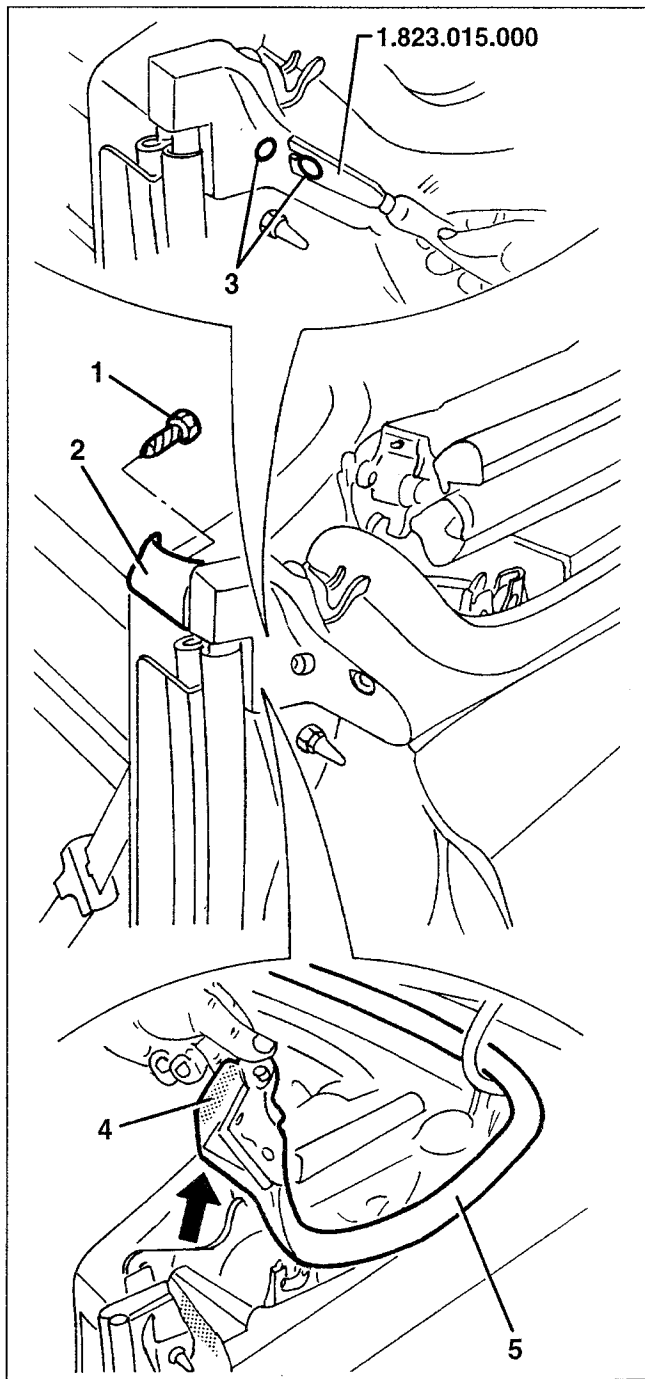
- With the hood open, open the hood lid.
- 1. Remove the plastic cover, using tool no. 1.823.014.000.
- 2. Slacken the two screws.
- 3. Remove the trim panel.



Refit the trim panel the sequence followed for removal and aligning it with the hood lid.

## HOOD LID SEAL REMOVAL/REFITTING

- Open the hood and the hood lid.
- 1. Slacken the two screws.
- 2. Remove the front trim plate.
- 3. Using tool N° 1.823.015.000 remove the two fastening caps.
- 4. Detach the front bi-adhesive edge.
- 5. Withdraw and remove the seal.

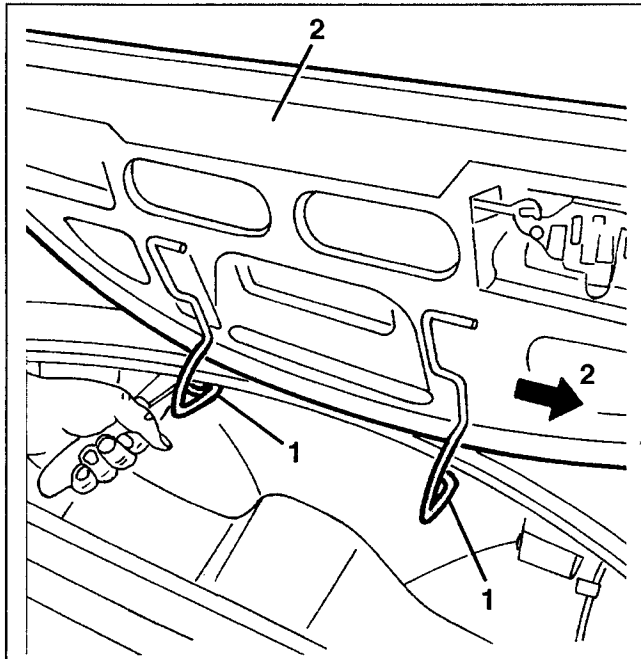


Clean and degrease the areas in contact with the adhesive part of the seal and refit the seal reversing the sequence followed for removal.

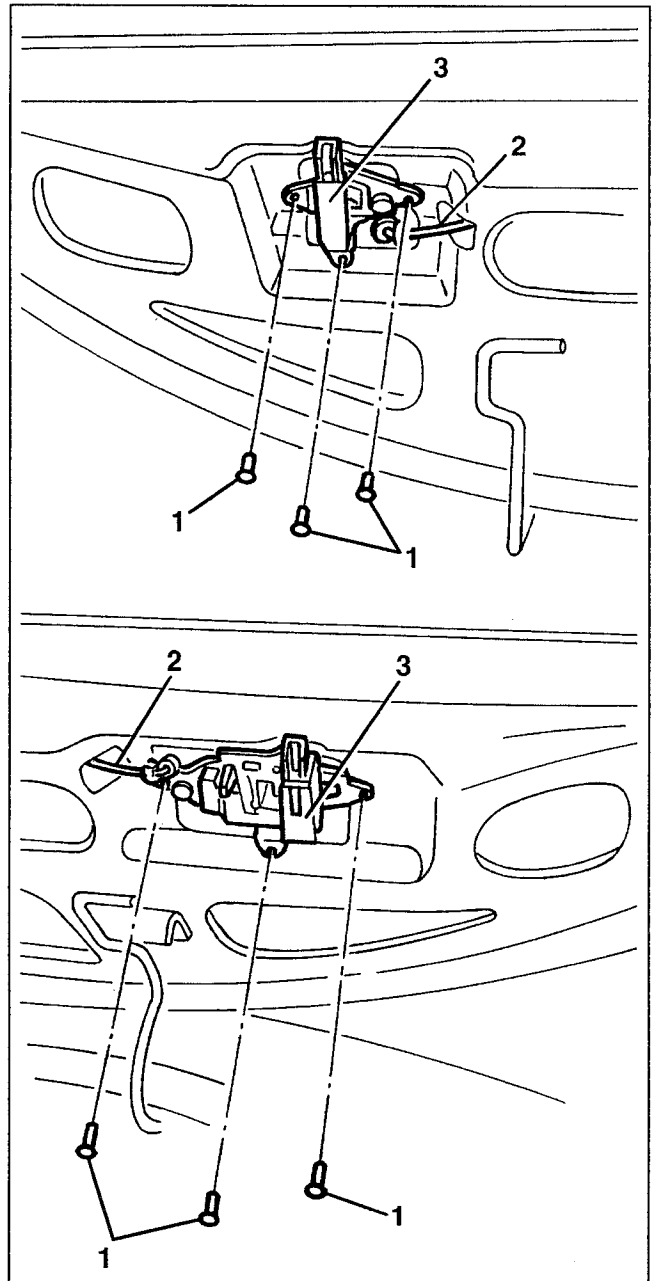
**BOOT LID**

**REMOVAL/REFITTING**

- Open the boot lid.
- 1. Remove the return springs from the arms of the lid.
- 2. Withdraw the arms from their housings and remove the boot lid.

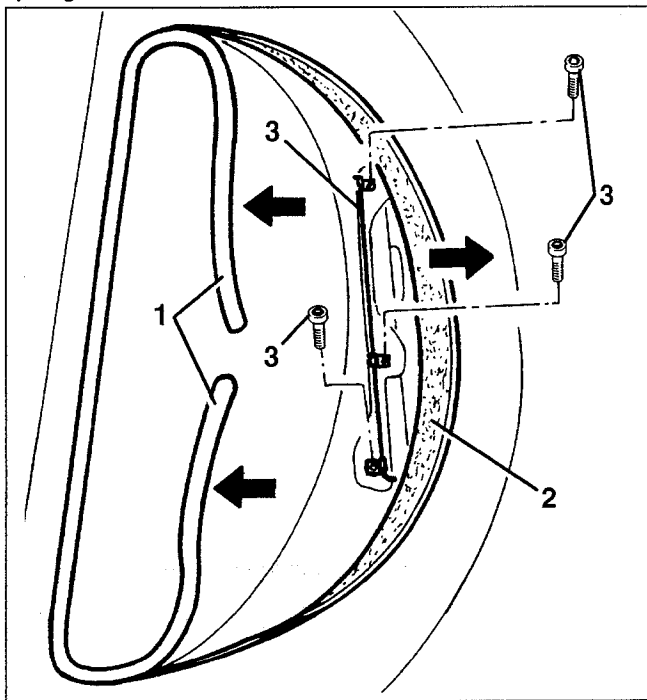


1. If necessary, remove the rivets fastening the closing devices.
2. Disconnect the connection rod from the control pins.
3. Remove the closing devices.



- If necessary, act on the torsion spring which makes it possible to open the boot lid, remove the hood cover inner partition (see specific paragraph).

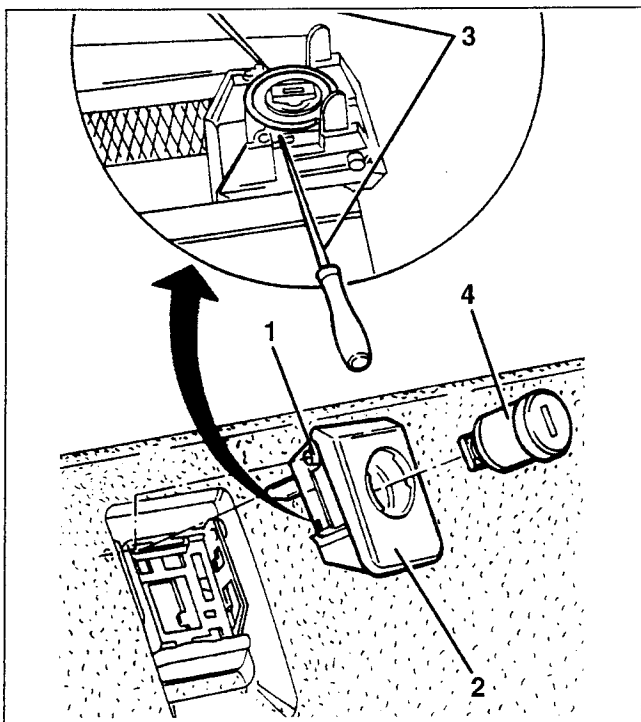
1. Remove the seal from the edge of the boot compartment.
2. Raise the shelf cover at the rear.
3. Slacken the three screws and remove the torsion spring.



## LOCK

### Removal / Refitting

1. Raise the box opening handle and use a small screwdriver on the pins fastening the handle to the lid.
2. Remove the complete handle.
3. Using two fine punches work on the lock retainer clips.
4. Remove the lock.

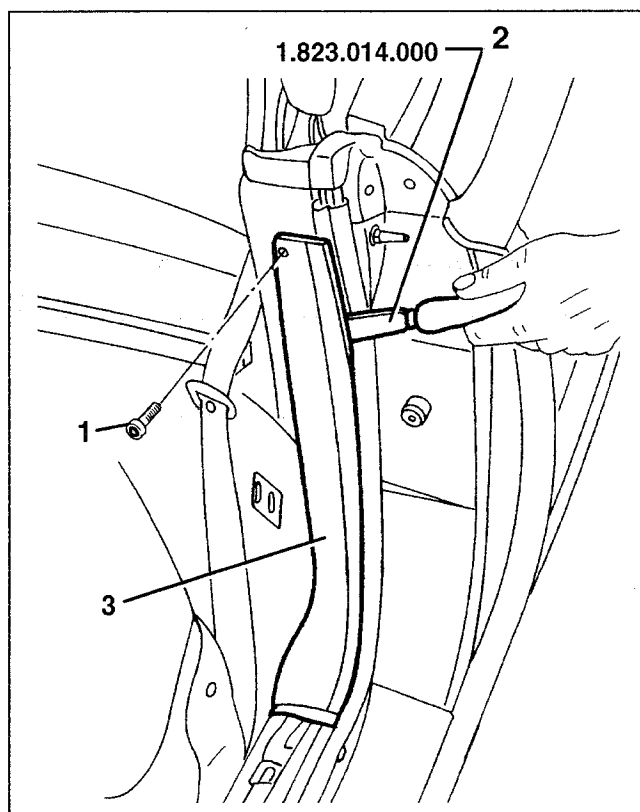


When refitting, reverse the sequence followed for removal.

## HOOD COMPARTMENT INNER PARTITION

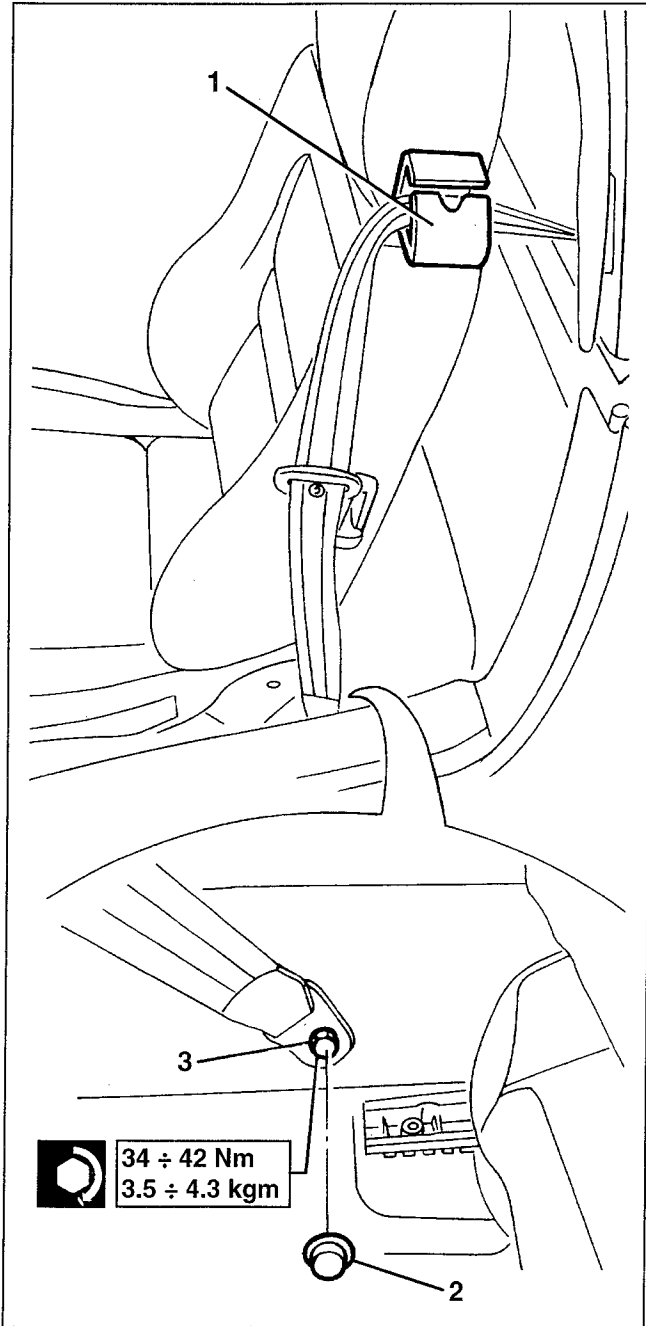
### REMOVAL / REFITTING

- With the hood closed, raise it at the rear and open the hood lid.
- 1. Working from both sides of the car, slacken the upper screw of the door surround vertical plate.
- 2. Using tool 1.823.014.000 prise the four squares.
- 3. Remove the door surround vertical plate.

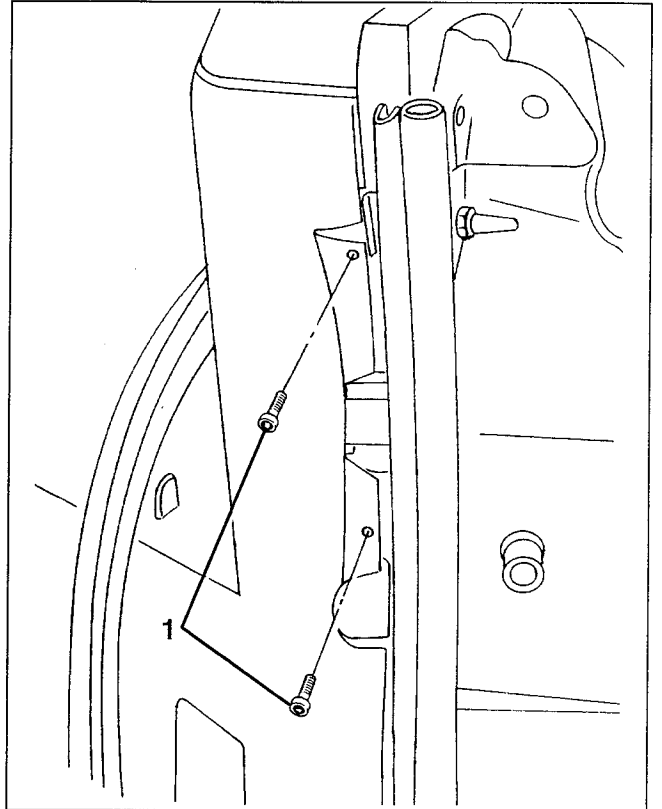




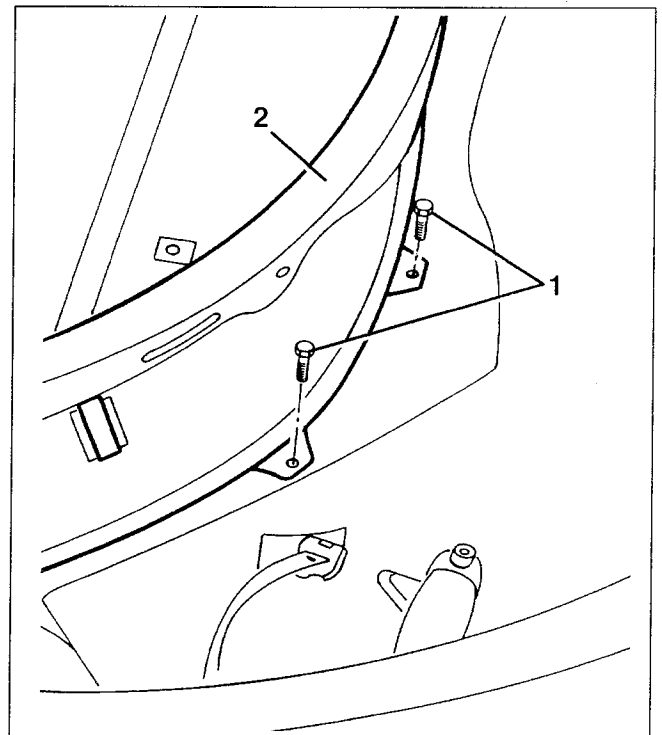
- Move the seat forwards.
- 1. Release the seat belt from the loop.
- 2. Remove the plastic cap.
- 3. Slacken the seat belt lower connection screw.
- Pass the seat belt end through the slot in the hood compartment partition.



1. Disconnect the two screws fastening the hood compartment partition at each side.



1. Slacken the screws fastening the hood compartment partition brackets to the rear shelf.
2. Remove the hood compartment partition.

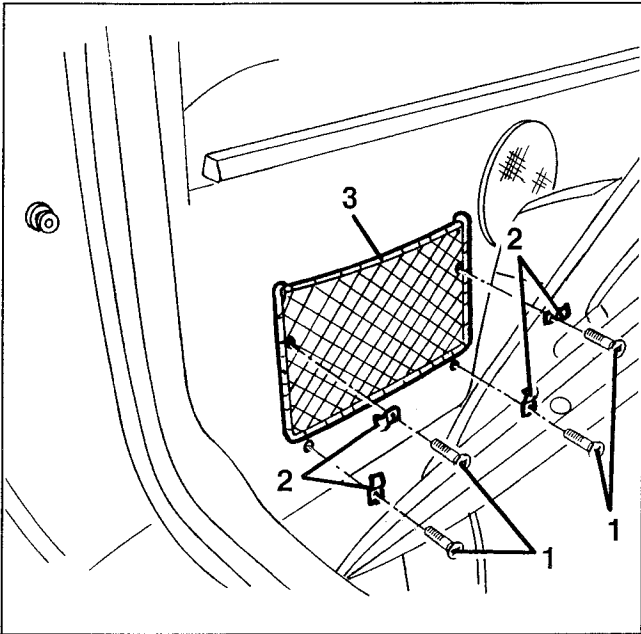


Refit the partition reversing the sequence followed for removal.

## LUGGAGE NET ('98 versions)

### REMOVAL/REFITTING

1. Loosen the screws.
2. Remove the retainers.
3. Remove the net.

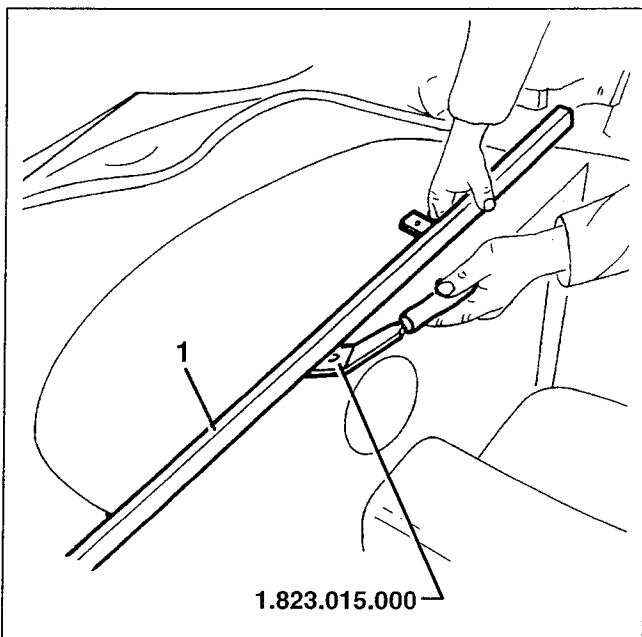


Refit the net by reversing the removal sequence.

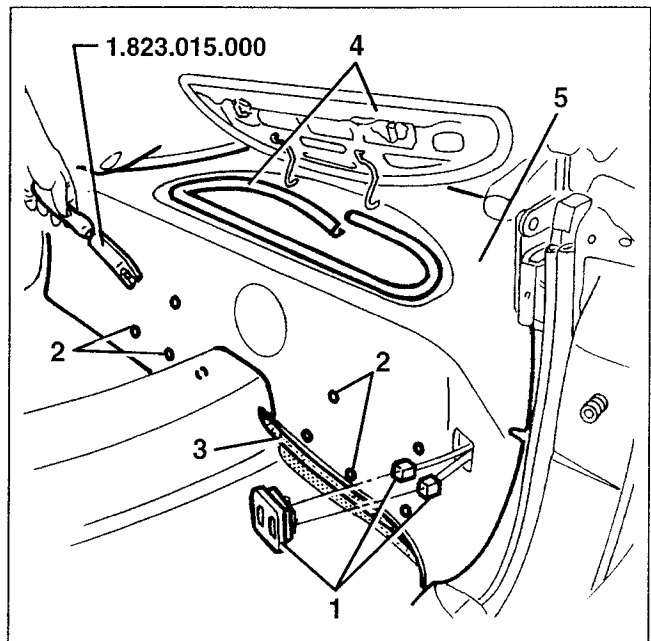
## REAR SHELF TRIM

### REMOVAL / REFITTING

- Remove the hood compartment partition (see specific paragraph).
- 1. Using tool 1.823.015.000 prise the six plastic pins and remove the profile.



1. Remove the hood switch panel and disconnect the connections.
2. Using tool 1.823.015.000 prise the ten plastic buttons.
3. Open the lower edge in velcro.
4. Open the boot lid and prise the seal.
5. Remove the shelf trim withdrawing the seat belt loops.

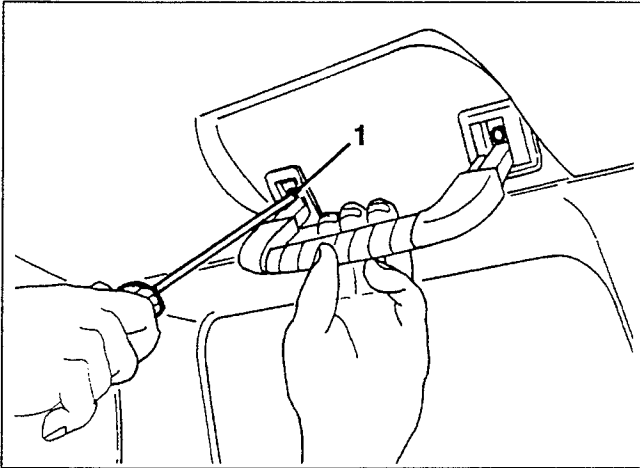


## INTERIOR TRIM - GTV

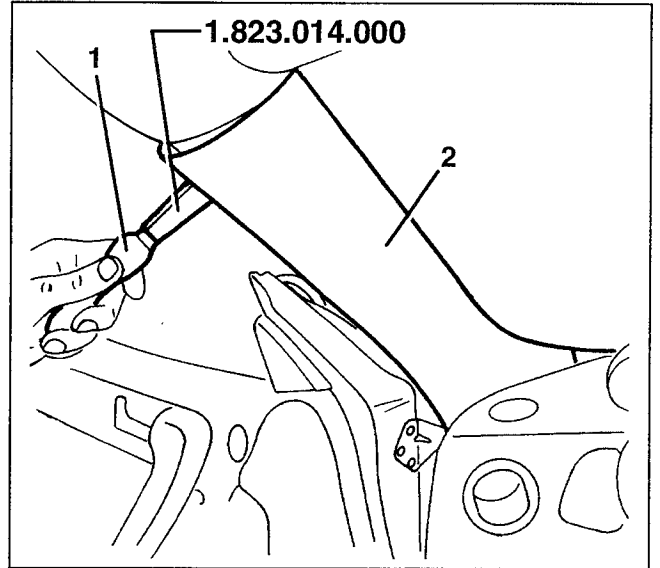
### PASSENGER'S GRAB HANDLE

#### REMOVAL / REFITTING

1. Lower the grab handle, slacken the two fastening screws and remove the handle,



1. Using tool 1.823.014.000 remove the profiles fastening the windscreen pillar trim.
2. Remove the windscreen pillar trims.



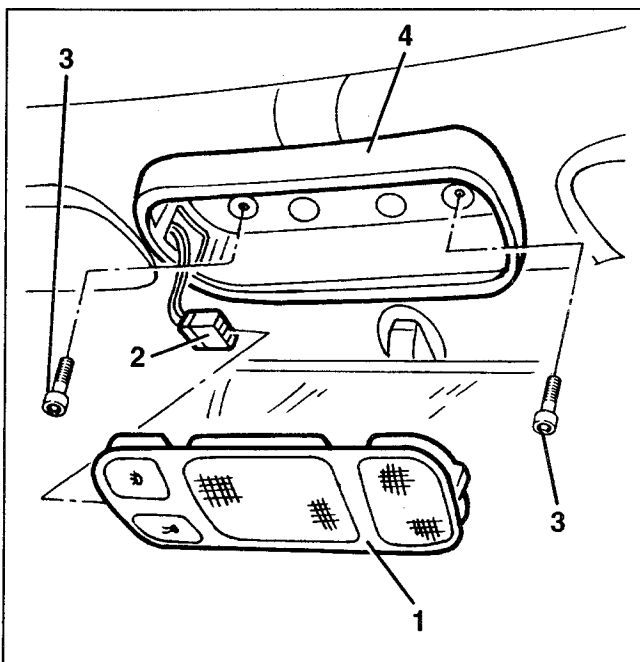
### ROOF LINING

#### REMOVAL / REFITTING

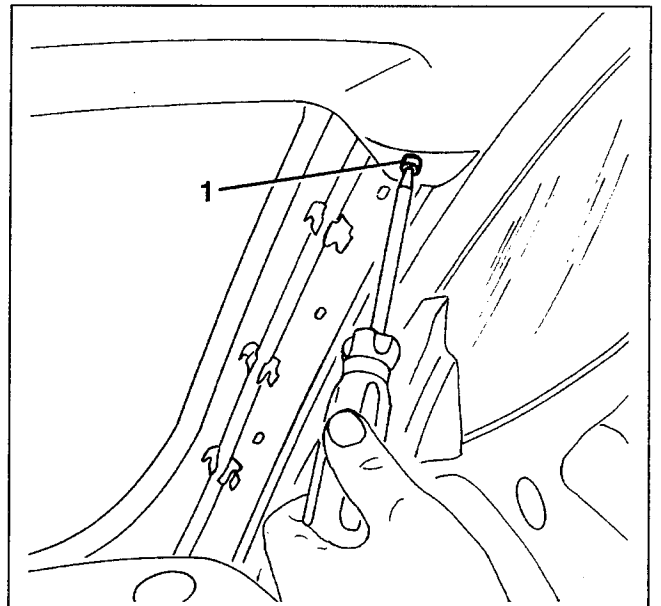


Take care not to dirty or damage the roof lining.

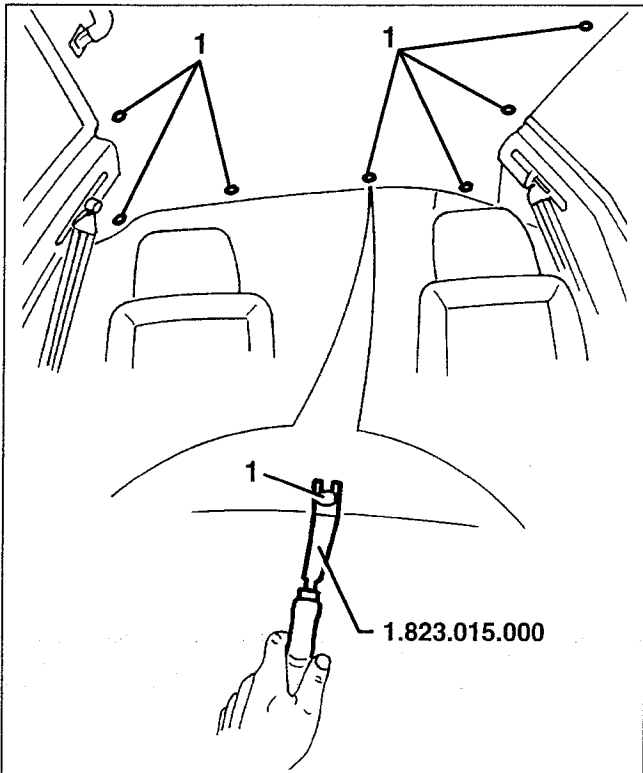
- Remove the grab handle (see specific paragraph).
  - Remove the sun visors (see specific paragraph).
1. Remove the centre roof lamp.
  2. Disconnect the electrical connection.
  3. Slacken the two fastening screws.
  4. Remove the frame.



1. On each windscreen pillar slacken the screw fastening the end of the roof lining.



1. Using tool 1.823.015.000 remove the seven plastic nails fastening the perimeter of the roof lining.



– Fold the seat backs, bring the roof lining down, roll it and remove it from the right-hand door.



Refit the roof lining reversing the sequence followed for removal.

## REAR SEATS

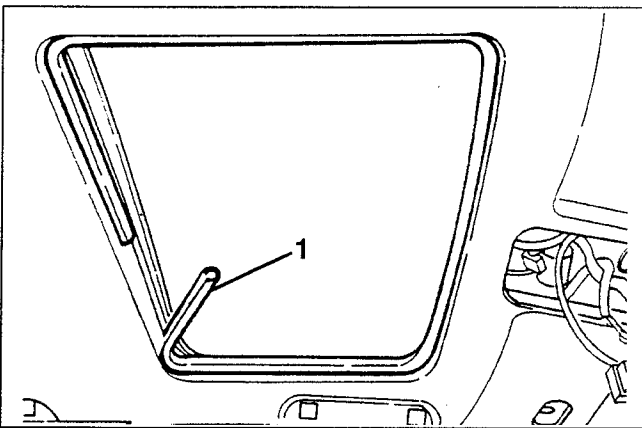
### BENCH

#### Removal / Refitting

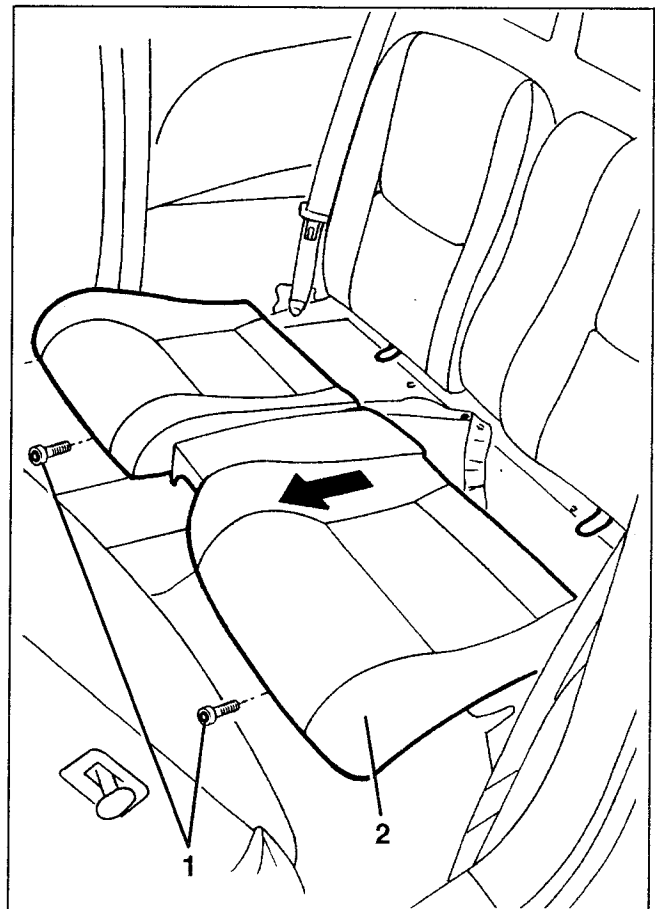
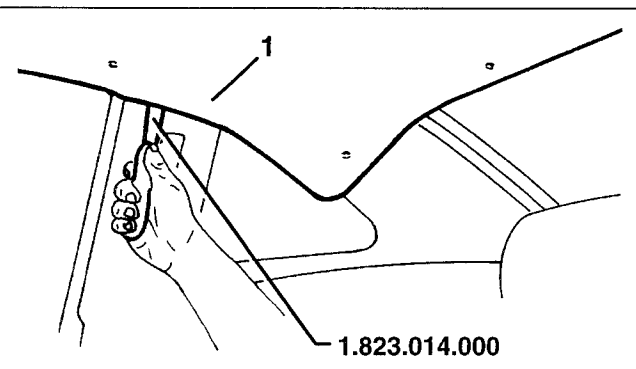
– Move the front seats forward completely and fold the seat backs.

1. Slacken the two screws fastening the bench front.
2. Remove the bench taking it off the rear hooks.

1. If the car is fitted with a sunroof, prise and remove the inner seal.



1. Using tool 1.823.014.000 remove the roof lining from the centre pillar trim.



Refit the bench reversing the sequence followed for removal.